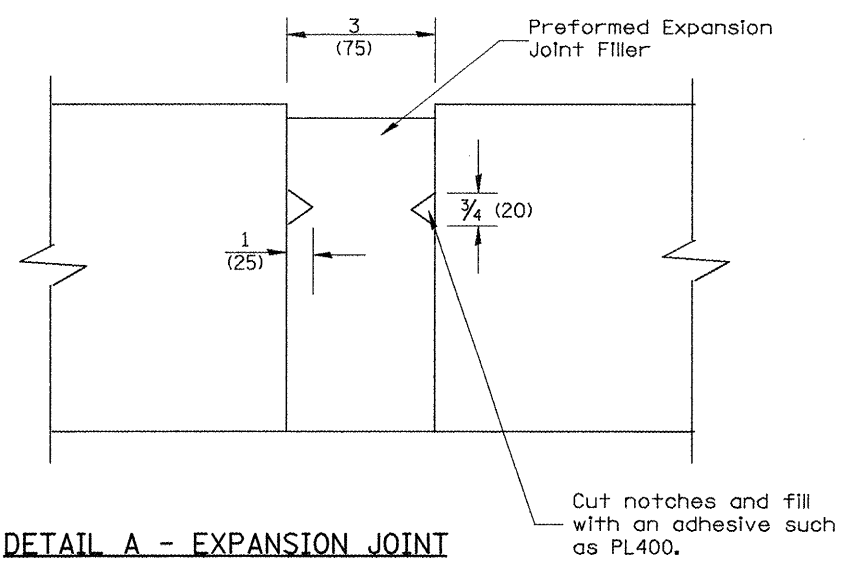


Concrete Pad (Std. 420401)



**DETAIL A - EXPANSION JOINT**

Preformed Expansion Joint Filler shall meet the requirements of Article 1051.08 or 1051.09. The expansion joint shall be constructed in accordance with Expansion Joint Sealing Detail shown on Standard 420001 and as shown herein.

**GENERAL NOTES:**

1. All work shall be done in accordance with Standard 420401 except as shown herein.
2. The concrete headwalls and pipe underdrain special will be in accordance with Section 601.
3. The bridge approach pavement connector (pcc) shall be constructed similar to section G-G for existing construction rigid pavement as shown standard 420401. Adjacent to PCC base course or pavement deformed bars will be required. Adjacent to bituminous pavement deformed bars will not be required.

All dimensions are in inches (millimeters) unless otherwise noted.

01-01-97	RENUM. H-6.09, NEW REVISION BOX, NOTES	T.P.		
02-22-97	REVISED SECTION A-A			
03-01-97	CORRECT STD. NO. IN NOTES	J.A.		
10-16-06	REVISED TO 2007 SPEC.	M.A.		

**STATE OF ILLINOIS  
DEPARTMENT OF TRANSPORTATION**

**BRIDGE APPROACH DETAIL**

NOT TO SCALE

CADD STD. 420401-D4

F.A. RTE.	SECTION	COUNTY	TOTAL SHEETS	SHEET NO.
534	109B (BR2)	HENDERSON	88	67
FED. ROAD DIST. NO.			ILLINOIS FED. AID PROJECT	
<b>CONTRACT NO. 68083</b>				