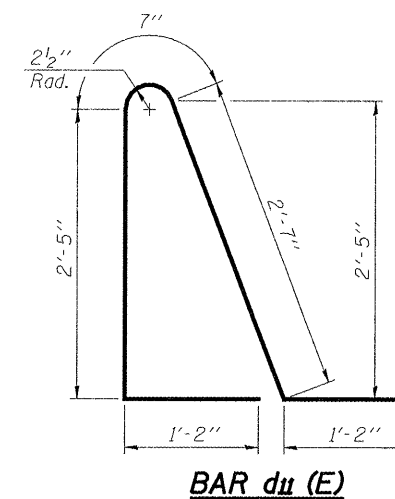
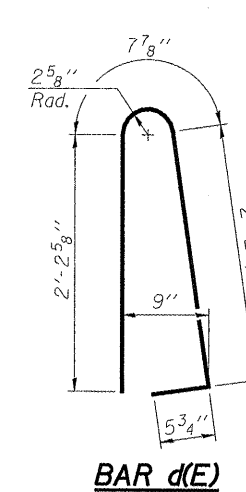


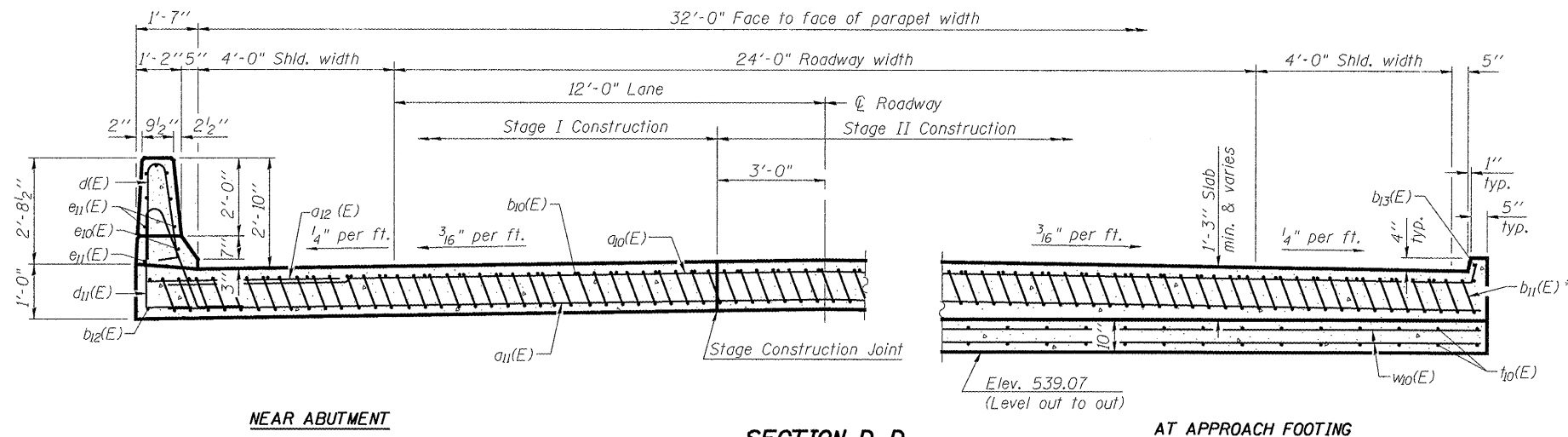
Notes:

See sheet 13 of 27 for Detail A and View B-B.
 Approach slab and parapet concrete shall be paid for as Concrete Superstructure.
 Approach footing concrete shall be paid for as Concrete Structures.
 Reinforcement shall be paid for as Reinforcement Bars, Epoxy Coated.
 For v(E) bar details, see sheet 11 of 27.
 The approach footing maximum applied service bearing pressure (Omax) = 2.0 ksf.
 For bar splicer details, see sheet 25 of 27.
 Cost of excavation for approach footing included with Concrete Structures.
 For Porous Granular Embankment (Special) and drainage treatment details, see sheet 2 of 27.
 For additional parapet details, see sheet 11 of 27.



* Tilt #9 b11(E) bars as required to maintain clearance.

*** Cost included with Concrete Superstructure.



NEAR ABUTMENT

SECTION D-D

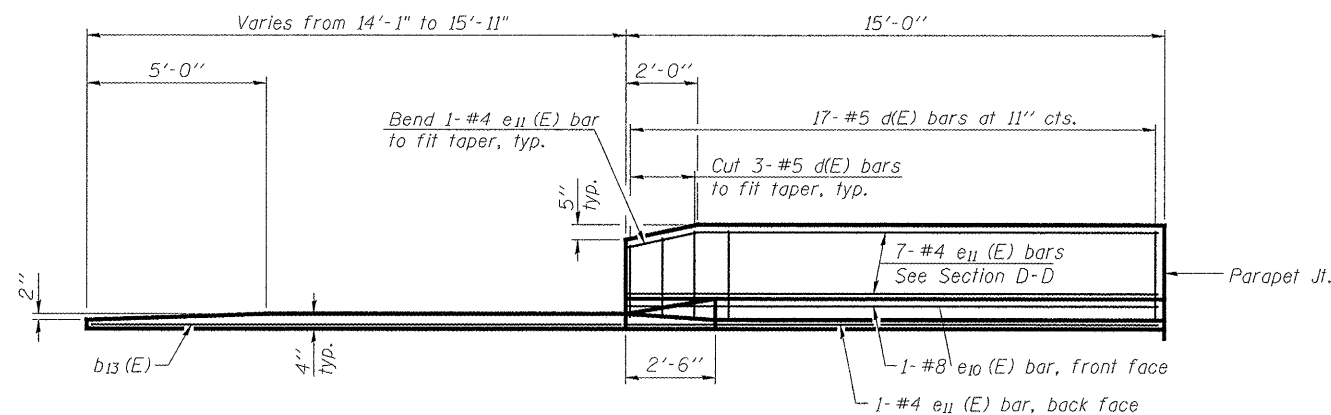
(See Plan for dimensions not shown)

AT APPROACH FOOTING

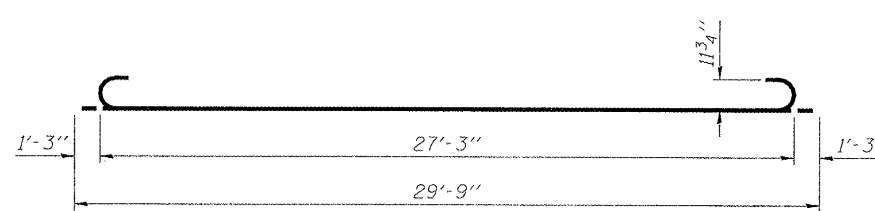
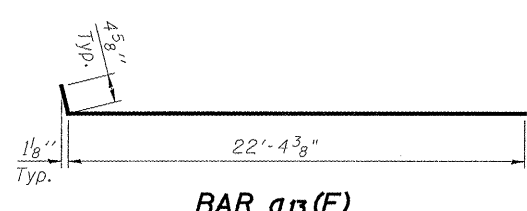
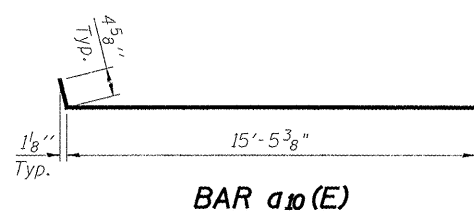
**TWO APPROACHES
BILL OF MATERIAL**

Bar	No.	Size	Length	Shape
a10(E)	50	#4	15'-10"	—
a11(E)	92	#5	15'-9"	—
a12(E)	48	#6	6'-6"	—
a13(E)	50	#4	22'-9"	—
a14(E)	92	#5	22'-8"	—
b10(E)	54	#4	29'-8"	—
b11(E)	164	#9	29'-9"	—
b12(E)	4	#4	14'-8"	—
b13(E)	8	#4	8'-5"	—
d(E)	68	#5	5'-7"	U
d11(E)	68	#5	7'-11"	U
e10(E)	4	#8	14'-8"	—
e11(E)	32	#4	14'-8"	—
f10(E)	144	#4	11'-2"	—
w10(E)	80	#5	15'-8"	—
w11(E)	80	#5	22'-7"	—
Concrete Superstructure			Cu. Yd.	110.8
Concrete Structures			Cu. Yd.	24.1
Reinforcement Bars, Epoxy Coated			Pound	28,885

** Reinforcement Bars, Epoxy Coated
 Superstructure = 24,615
 Substructure = 4,270



VIEW E-E



(Sheet 2 of 2)

HURST-ROSCHKE ENGINEERS, INC.
 HILLSBORO, ILLINOIS 62049
 (217)532-3959 FAX (217)532-3212
 HR JOB # 190-1785

HR
 HURST-ROSCHKE
 ENGINEERS, INC.

FILE NAME =	USER NAME =	DESIGNED - JSP	REVISED -
		CHECKED - CJC	REVISED -
PLOT SCALE =		DRAWN - UJ	REVISED -
PLOT DATE =		CHECKED - RVB	REVISED -

STATE OF ILLINOIS
 DEPARTMENT OF TRANSPORTATION

BRIDGE APPROACH SLAB DETAILS
 STRUCTURE NO. 036-0071

SHEET NO. 14 OF 27 SHEETS

F.A.P. RTE.	SECTION	COUNTY	TOTAL SHEETS	SHEET NO.
522	(14-1-B1) BR	HENDERSON	70	27
				CONTRACT NO. 68298

ILLINOIS FED. AID PROJECT