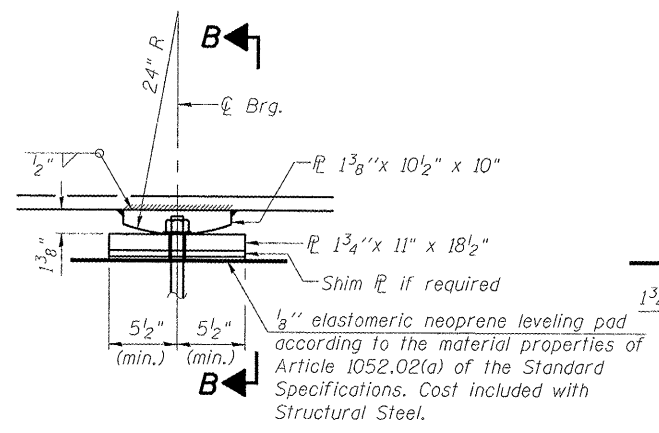


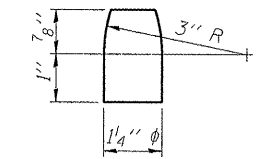
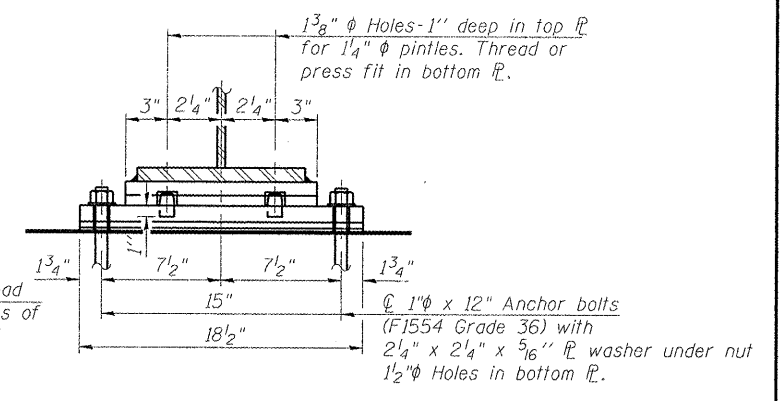
**ELEVATION AT ABUTMENT**

**FIXED BEARING AT ABUTMENTS**  
(14 Required)



**ELEVATION AT PIER**

**FIXED BEARING AT PIERS**  
(28 Required)



Notes:

Anchor bolts shall be ASTM F1554 all thread (or an Engineer-approved alternate material) of the grade(s) and diameter(s) specified. ASTM A307 Grade C anchor bolts may be used in lieu of ASTM F1554 Grade 36 (Fy=36ksi). The corresponding specified grade of AASHTO M314 anchor bolts may be used in lieu of ASTM F1554.

Anchor bolts at fixed bearings may be either cast in place or installed in holes drilled after the supported member is in place.

Drilled and set anchor bolts shall be installed according to Article 521.06 of the Standard Specifications.

Two  $\frac{1}{8}$  in. adjusting shims shall be provided for each bearing in addition to all other plates or shims and placed as shown on bearing details.

All bearing plates shall be AASHTO M270, Grade 50.

**BILL OF MATERIAL**

Item	Unit	Total
Anchor Bolts, 1"	Each	84

HURST-ROSCHKE ENGINEERS, INC.  
HILLSBORO, ILLINOIS 62049  
(217)532-3959 FAX (217)532-3212  
HR JOB # 190-1785

FILE NAME =	USER NAME =	DESIGNED - JSP	REVISD -	<b>STATE OF ILLINOIS DEPARTMENT OF TRANSPORTATION</b>	<b>BEARING DETAILS STRUCTURE NO. 036-0071</b>	F.A.P. RTE. =	SECTION =	COUNTY =	TOTAL SHEETS =	SHEET NO. =
PLOT SCALE =	CHECKED - CJC	REVISD -	522			(14-1-B1) BR	HENDERSON	70	30	
PLOT DATE =	DRAWN - UJ	REVISD -	CONTRACT NO. 68298							
	CHECKED - RVB	REVISD -	ILLINOIS FED. AID PROJECT							