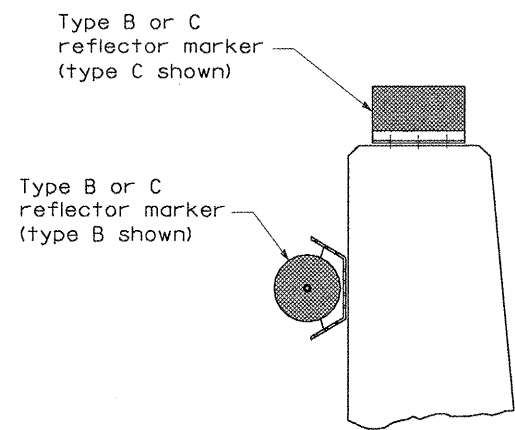
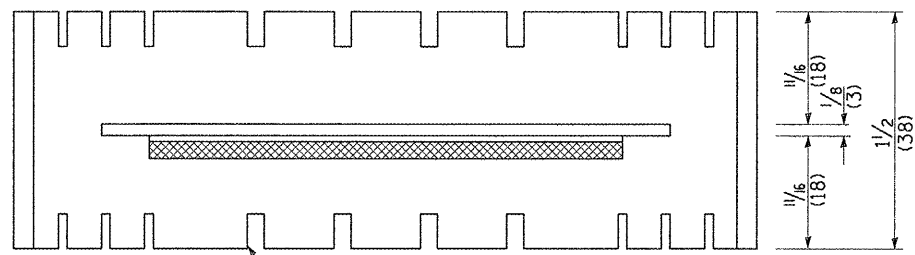


TYPICAL MOUNTING DETAIL FOR BRIDGE RAIL REFLECTOR

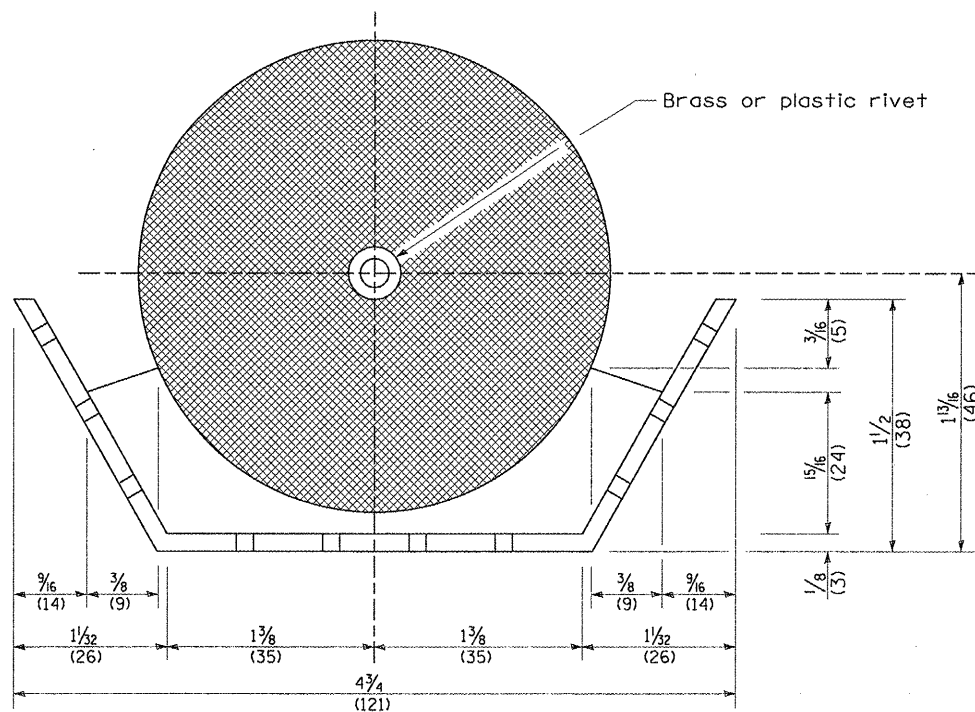


TYPICAL MOUNTING DETAIL FOR BARRIER WALL REFLECTOR

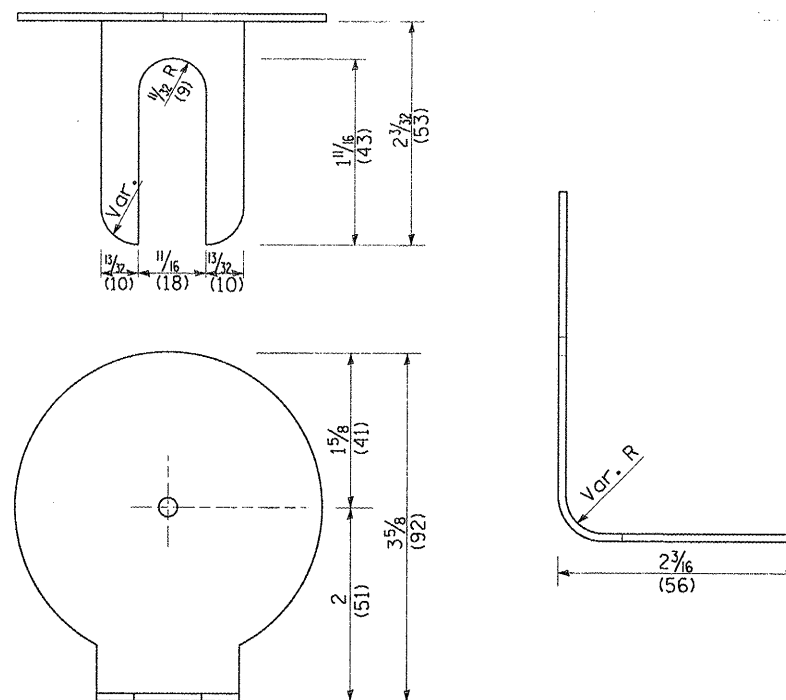
REFLECTOR MOUNTING



Adhesive weep slots or holes equally spaced on both sides

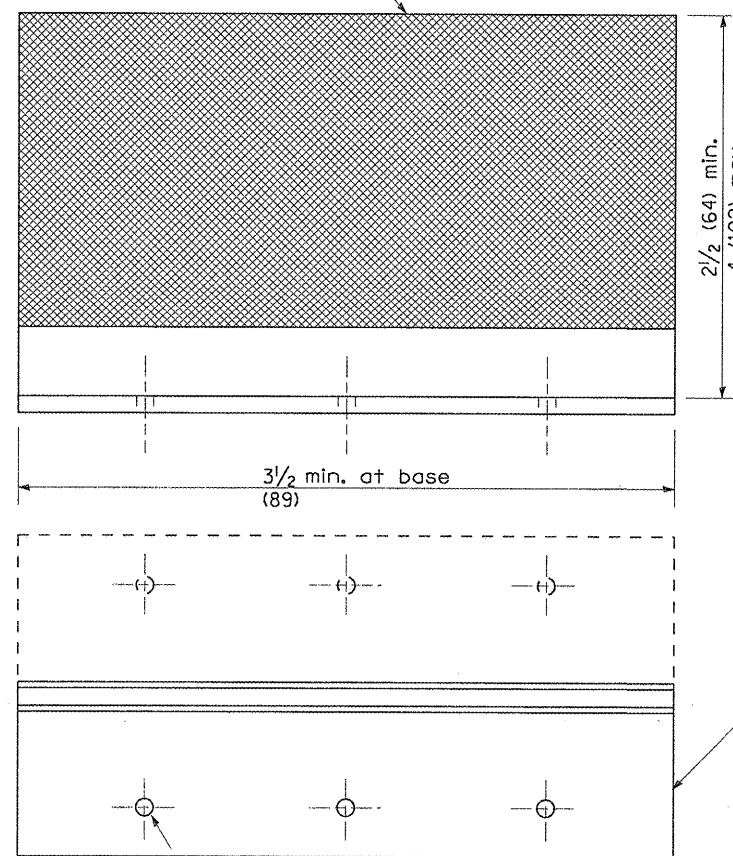


REFLECTOR MARKER TYPE B



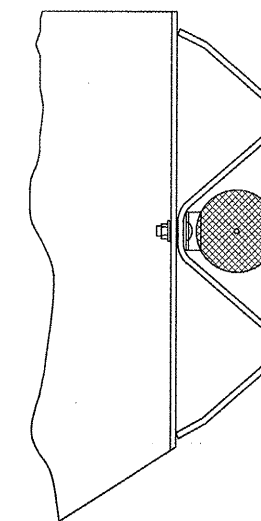
REFLECTOR MARKER TYPE A

Min. reflective area 6 1/2 sq. in. (4,194 mm²) each side. May be rectangular or slight trapezoid.

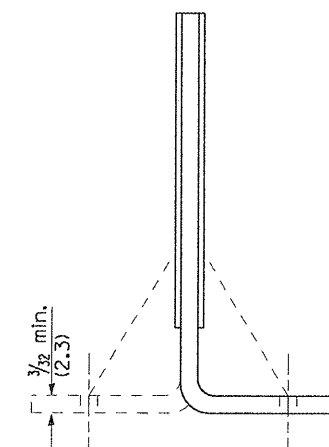


3 min. adhesive weep holes or slots each side, variable spacing.

REFLECTOR MARKER TYPE C



TYPICAL GUARDRAIL MOUNTING WITH REFLECTOR MARKER TYPE A



Cross section may be "T" or "L" shaped and may have side supports at ends.

REFLECTORS

Minimum total area of base 7.0 Sq. in. (4,516 mm²)

All dimensions are in Inches (millimeters) unless otherwise noted.

STATE OF ILLINOIS
DEPARTMENT OF TRANSPORTATION

GUARDRAIL AND BARRIER WALL DELINEATION

NOT TO SCALE

SHT. 3 OF 3
CADD STD. 635101-D4

F.A.P. RTE.	SECTION	COUNTY	TOTAL SHEETS	SHEET NO.
522	(14-1-B)BR	HENDERSON	70	67
CONTRACT NO. 68298				

FED. ROAD DIST. NO. 4 ILLINOIS FED. AID PROJECT