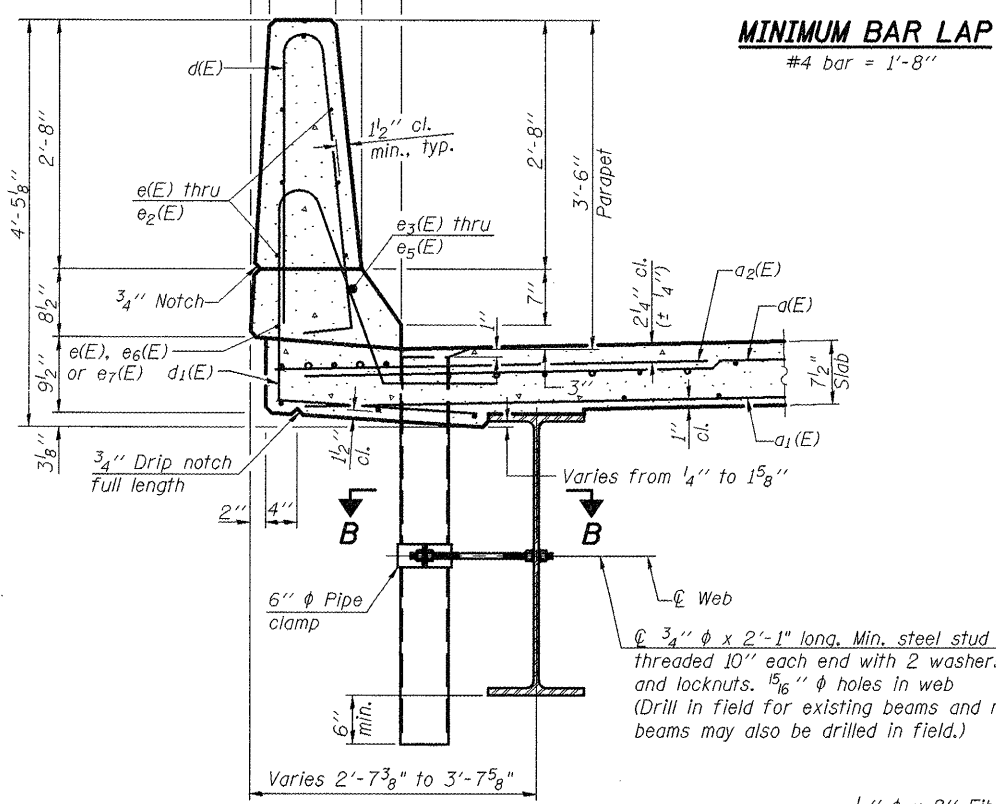
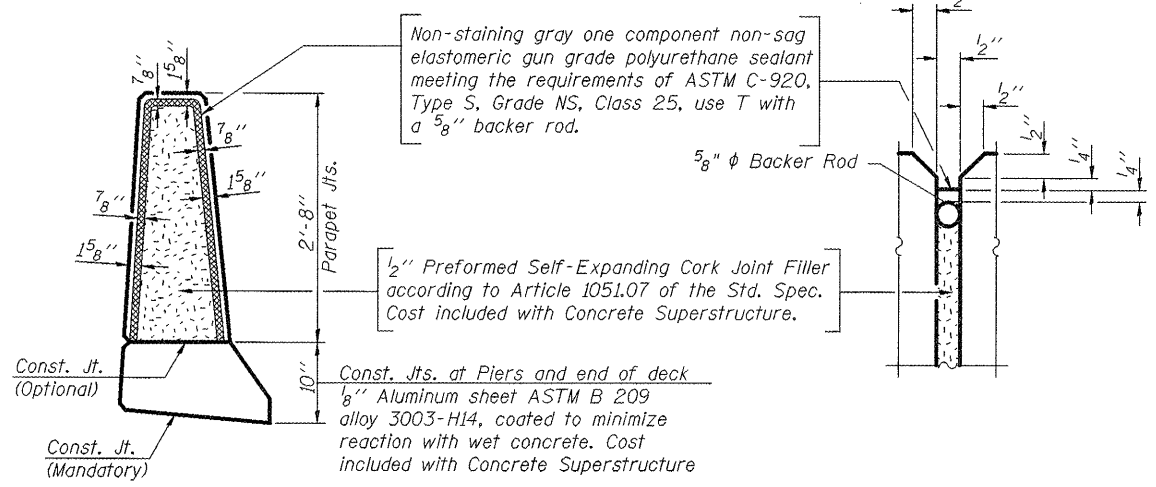


INSIDE ELEVATION OF PARAPET

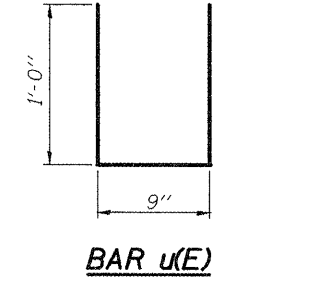


MINIMUM BAR LAP
#4 bar = 1'-8"

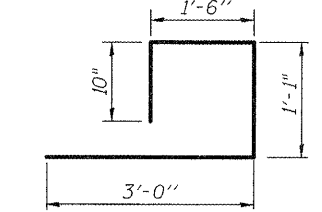


PARAPET JOINT DETAILS

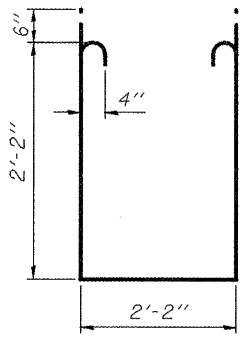
Notes:
The exterior surfaces of the floor drains shall be painted with the finish coat as specified in the special provisions for Cleaning and Painting New Metal Structures. The exterior surfaces of the drains shall be cleaned according to Society of Protective Coatings Spec. SSPC-SP1 prior to painting.
Fiberglass pipe shall conform to ASTM D 2996, with short-time rupture strength hoop tensile stress of 30,000 p.s.i. minimum.
Galvanize clamping device according to AASHTO M232. Cost of clamping device and inserts is included with Floor Drains.



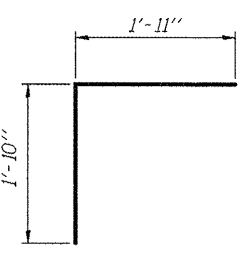
BAR u(E)



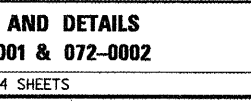
BAR s(E)



BAR d(E)



BAR d1(E)

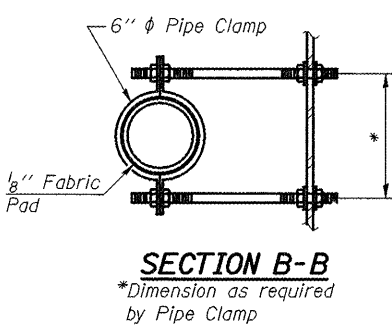


BAR v(E)

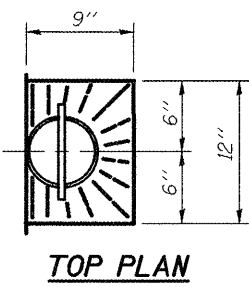
SUPERSTRUCTURE BILL OF MATERIAL
(Eastbound or Westbound)

Bar	No.	Size	Length	Shape
a(E)	245	#5	42'-6"	—
a1(E)	185	#5	42'-0"	—
a2(E)	252	#6	6'-6"	—
a3(E)	6	#5	43'-0"	—
a4(E)	4	#5	37'-0"	—
a5(E)	4	#5	42'-8"	—
b(E)	276	#5	27'-11"	—
b1(E)	86	#6	32'-6"	—
b2(E)	280	#5	24'-3"	—
d(E)	342	#5	6'-10"	⌒
d1(E)	342	#5	7'-0"	⌒
e(E)	64	#4	7'-1"	—
e1(E)	84	#4	13'-5"	—
e2(E)	42	#4	14'-7"	—
e3(E)	8	#8	7'-1"	—
e4(E)	4	#8	40'-11"	—
e5(E)	2	#8	44'-5"	—
e6(E)	8	#4	21'-3"	—
e7(E)	4	#4	23'-1"	—
m(E)	24	#6	22'-7"	—
m1(E)	36	#6	7'-7"	—
m2(E)	24	#6	5'-1"	—
m3(E)	4	#6	4'-1"	—
m4(E)	8	#6	3'-0"	—
m5(E)	4	#6	37'-6"	—
s(E)	80	#5	6'-5"	⌒
s1(E)	80	#4	7'-6"	⌒
u(E)	86	#5	2'-9"	⌒
v(E)	86	#5	3'-9"	⌒
Reinforcement Bars, Epoxy Coated		Pound	50,800	
Concrete Superstructure		Cu. Yds.	233.7	
Bar Splicers		Each	86	
Floor Drains		Each	12	
Bridge deck Grooving		Sq. Yd.	663	
Protective Coat		Sq. Yd.	848	

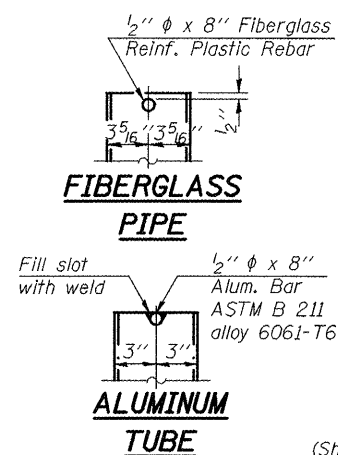
Bars indicated thus 1 x 2-#4 etc. indicates 1 line of bars with 2 lengths per line.



SECTION B-B
*Dimension as required by Pipe Clamp

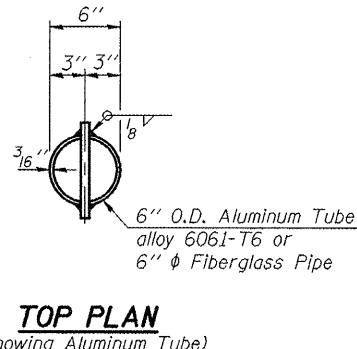


TOP PLAN

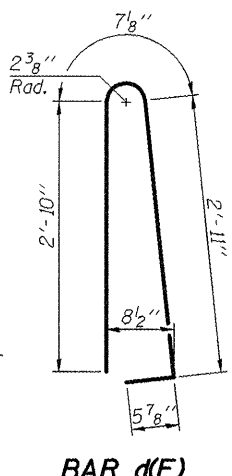


FIBERGLASS PIPE

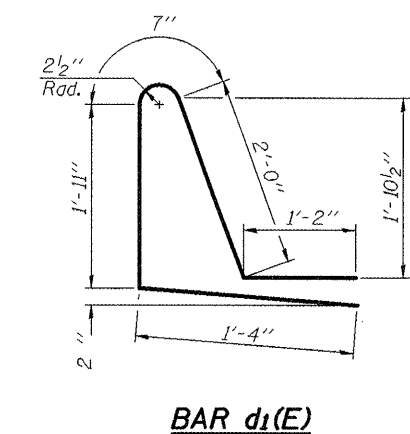
ALUMINUM TUBE



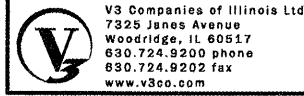
TOP PLAN
(Showing Aluminum Tube)



BAR d(E)



BAR d1(E)



V3 Companies of Illinois Ltd.
7325 Jones Avenue
Woodridge, IL 60517
830.724.9200 phone
830.724.9202 fax
www.v3co.com

FILE NAME: 11 Parapet Elevations and Details.dgn
DESIGNED: C. Burke
CHECKED: WJV/Coombé-Bloxdorf
DRAWN: C. Burke
PLOT SCALE: 1/8"
PLOT DATE: July 1, 2011

REVISED -
REVISED -
REVISED -
REVISED -

STATE OF ILLINOIS
DEPARTMENT OF TRANSPORTATION

PARAPET ELEVATION AND DETAILS
STRUCTURE NO. 072-0001 & 072-0002

SHEET NO. 11 OF 34 SHEETS

F.A.I. RTE.	SECTION	COUNTY	TOTAL SHEETS	SHEET NO.
74	72-6VB	PEORIA	133	54
			CONTRACT NO. 68874	
ILLINOIS FED. AID PROJECT				