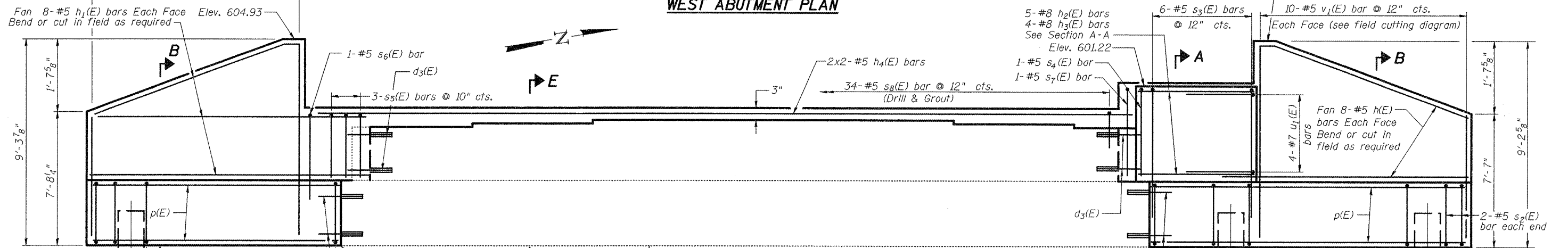


**WEST ABUTMENT PLAN**

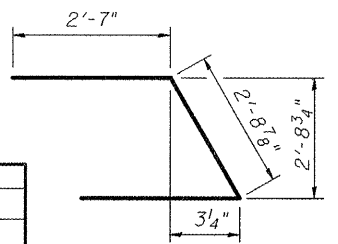


**ELEVATION**  
(Looking West)

**BILL OF MATERIAL**

Bar	No.	Size	Length	Shape
d3(E)	28	#8	2'-0"	—
h(E)	16	#5	10'-10"	—
h1(E)	16	#5	12'-4"	—
h2(E)	5	#8	5'-8"	—
h3(E)	4	#8	6'-8"	—
h4(E)	4	#5	20'-0"	—
p(E)	12	#8	25'-10"	—
s2(E)	28	#5	15'-7"	☐
s3(E)	6	#5	13'-2"	☐
s4(E)	1	#5	8'-8"	☐
s5(E)	3	#5	4'-8"	☐
s6(E)	1	#5	9'-4"	☐
s7(E)	1	#5	6'-6"	☐
s8(E)	34	#5	2'-8"	☐
u1(E)	4	#7	7'-11"	☐
v1(E)	20	#5	15'-9"	—

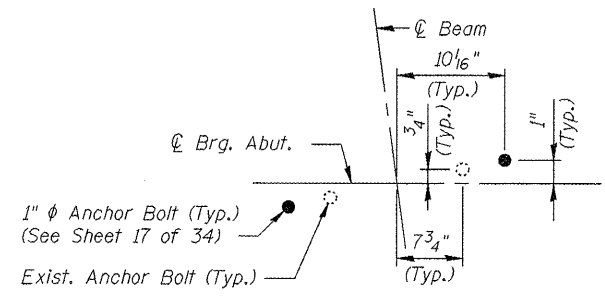
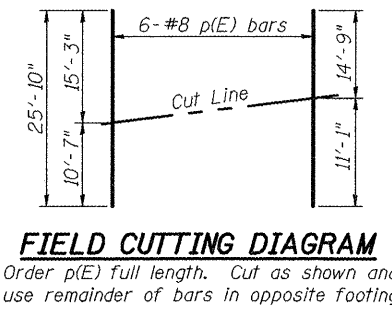
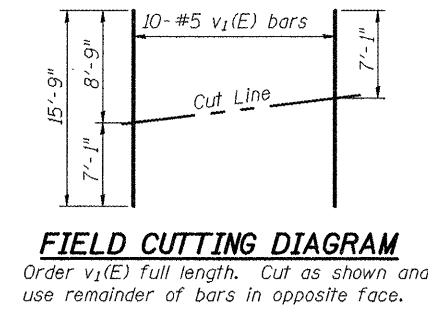
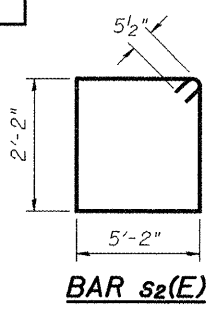
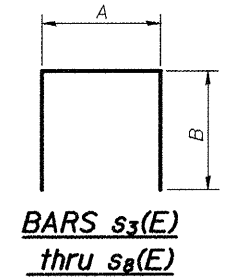
Bar	A	B
s3(E)	2'-10"	5'-2"
s4(E)	2'-10"	2'-11"
s5(E)	8"	2'-0"
s6(E)	8"	4'-4"
s7(E)	8"	2'-11"
s8(E)	8"	1'-0"



**MINIMUM BAR LAP**  
#5 bar = 2'-2"

**PILE DATA**

Type: Metal Shell Piles - 14" φ x .25" walls  
 Nominal Required Bearing: 180 kips  
 Factored Resistance Available: 90 kips.  
 Est. Length: 25'-0"  
 No. Required: 5 Plus 1 Test Pile



**ANCHOR BOLTS LOCATION**

Concrete Structures	Cu. Yd.	22.6
Reinforcement Bars, Epoxy Coated	Pound	2660
Structure Excavation	Cu. Yd.	136
Test Pile Metal Shells	Each	1
Furnishing Metal Shell Piles 14"x0.25"	Foot	125'-0"
Driving Piles	Foot	125'-0"
Porous Granular Embankment, Special	Cu. Yd.	124

**NOTES**

The cost of drilling and grouting d3(E) and s8(E) bars is included with Reinforcement Bars, Epoxy Coated. Installation as per Sec. 584 of the Standard Specifications. Min. depth of embedment will be 9 Inch.  
 See Sheet 24 of 34 for Sections A-A, B-B and E-E.  
 Bars indicated thus 2x2-#5 etc. indicates 2 lines of bars with 2 lengths per line.