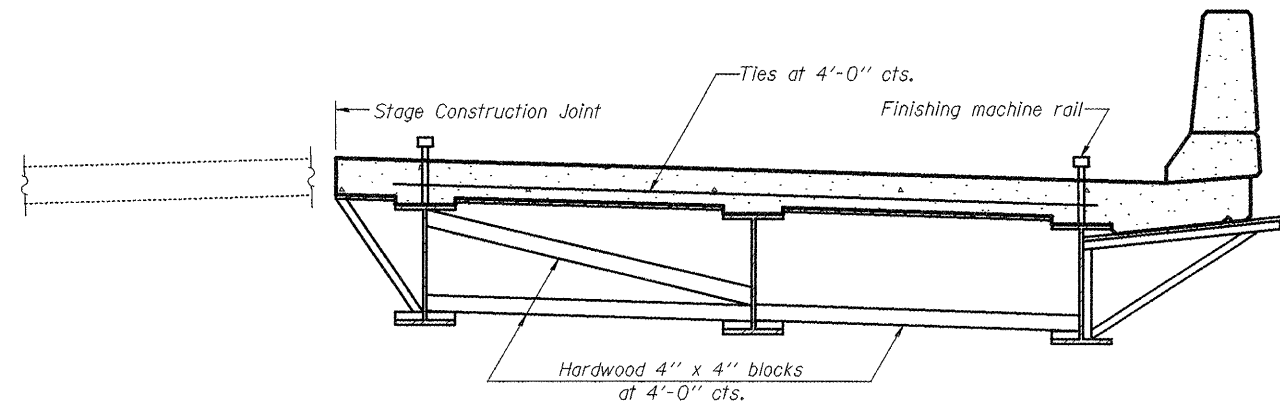


When cantilever forming brackets are used, the work shall be done according to Article 503.06(b) of the Standard Specifications, except as modified below and in the details shown on this sheet.

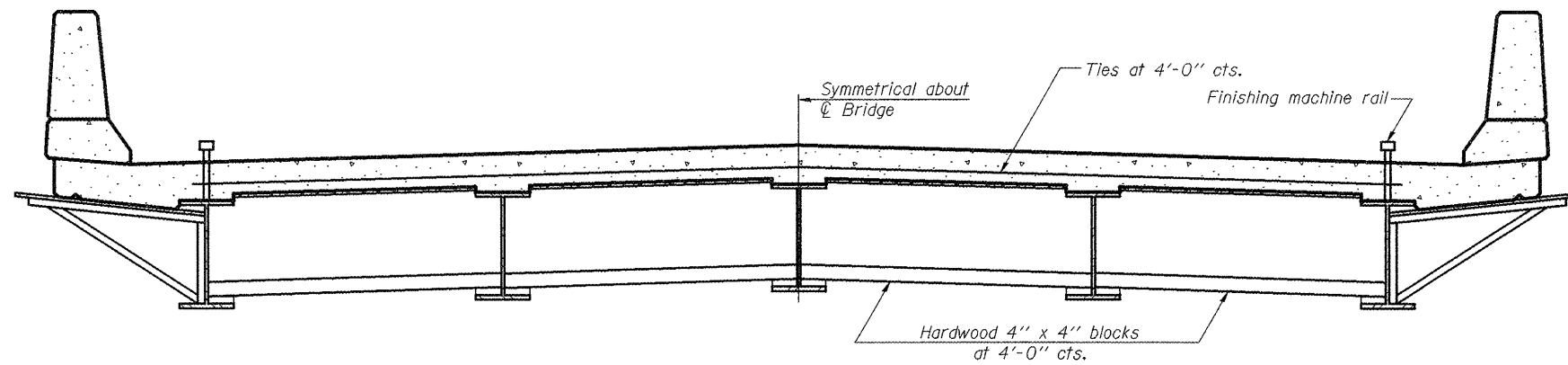
The finishing machine rails shall be placed on the top flange of the exterior beams.

The beams or girders, supporting cantilever forming brackets, shall be tied together at 4 foot intervals.

For Standard construction, or Stage Construction the Hardwood bracing materials shall be placed as shown between webs of beams in each bay.



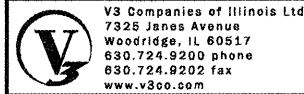
**FORM BRACES FOR  
STAGE CONSTRUCTION**



**FORM BRACES FOR  
STANDARD CONSTRUCTION**

SB-1

7-1-10



FILE NAME: 28 Cantilever forming Brackets.dgn  
PLOT SCALE: 1:1  
PLOT DATE: July 1, 2011

DESIGNED: B. Vegrzyn	REVISED -
CHECKED: Coombe-Bloxdorf	REVISED -
DRAWN: B. Vegrzyn	REVISED -
CHECKED: Coombe-Bloxdorf	REVISED -

**STATE OF ILLINOIS  
DEPARTMENT OF TRANSPORTATION**

**CANTILEVER FORMING BRACKETS FOR SUPERSTRUCTURES WITH  
W27 BEAMS AND SMALLER STRUCTURE NO. 072-0001 & 072-0002**

F.A.I. RTE.	SECTION	COUNTY	TOTAL SHEETS	SHEET NO.
74	72-6VB	PEORIA	133	71
CONTRACT NO. 68874				
ILLINOIS FED. AID PROJECT				

SHEET NO. 28 OF 34 SHEETS