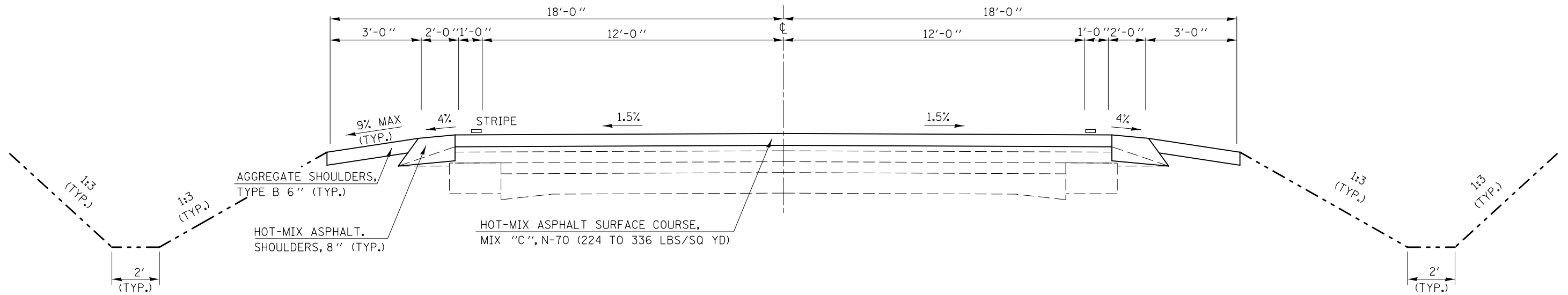


PROPOSED TYPICAL CROSS SECTION ①

F.A.P. 315 (U.S. 136)

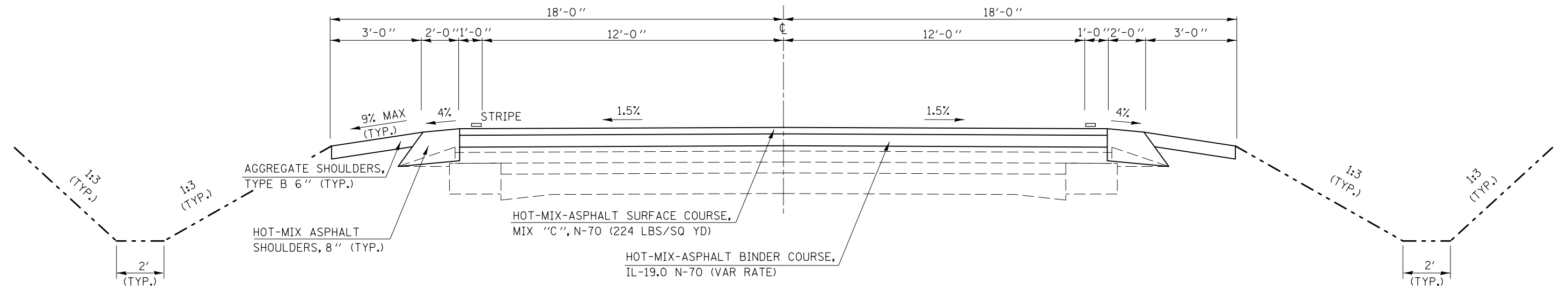
STATION	TO	STATION
415+00.00		417+80.00 ②
② 438+75.00		442+00.00



PROPOSED TYPICAL CROSS SECTION ②

F.A.P. 315 (U.S. 136)

STATION	TO	STATION
① 417+80.00		426+31.72 ③
③ 430+01.72		438+75.00 ①



FILE NAME =	USER NAME = hoganbj	DESIGNED -	REVISED -	STATE OF ILLINOIS DEPARTMENT OF TRANSPORTATION	PROPOSED TYPICAL CROSS SECTION			F.A.P. RTE.	SECTION	COUNTY	TOTAL SHEETS	SHEET NO.
et:\pwork\pwork\hoganbj\d0142533\0570652-shr-typ10a1.dgn		DRAWN -	REVISED -		315	121 BR-2	MCLEAN	144	13			
PLOT SCALE = 40.0000' / in.		CHECKED -	REVISED -		CONTRACT NO. 70552							
PLOT DATE = 8/22/2011		DATE -	REVISED -		SCALE:	SHEET NO. OF SHEETS	STA. TO STA.	ILLINOIS FED. AID PROJECT				