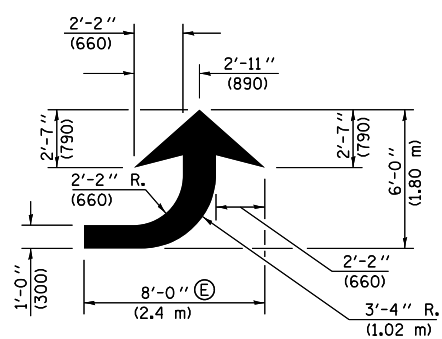


* REDUCE TO 40 FEET (12.2 METERS) ON CENTER ON CURVES WHERE ADVISORY SPEEDS ARE 10 MPH (15 km/h) LOWER THAN POSTED SPEEDS.

** DOUBLE LANE LINE MARKERS SHALL BE SPECIFIED AND SPACED AS SHOWN IN HIGHWAY STANDARD 781001 FOR MULTI-LANE DIVIDED AND UNDIVIDED HIGHWAYS.

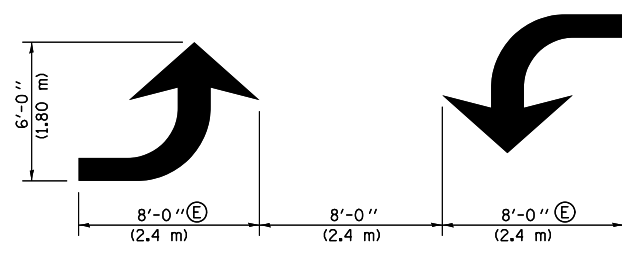
GENERAL NOTES:

- ⓑ TURN ARROW PAIRS SHALL BE PLACED AT 250' (75 m) INTERVALS AND SHALL BE EVENLY SPACED BETWEEN BOTH ENDS OF THE BIDIRECTIONAL LEFT TURN LANE.
- ⓒ THE SOLID YELLOW PAVEMENT MARKINGS [2] SHOULD GENERALLY START OR END NEAR THE RADIUS POINT OF EACH STREET RETURN EXCEPT WHERE ONE OR BOTH ENDS WOULD INCLUDE STOP BARS.
- ⓓ THE SKIP-DASH PAVEMENT MARKINGS [1] OR [7] SHOULD BE CENTERED BETWEEN BOTH ENDS OF EACH CITY BLOCK AND SHALL BE PLACED SO THEY LINE UP ACROSS FROM EACH OTHER. SEE EXAMPLE ON SHEET 2 OF 3.
- ⓔ USE LARGE ARROW SIZE FOR BOTH RURAL AND URBAN LOCATIONS. (SEE LAST PAGE OF SECTION 780x FOR SYMBOLS TABLE)



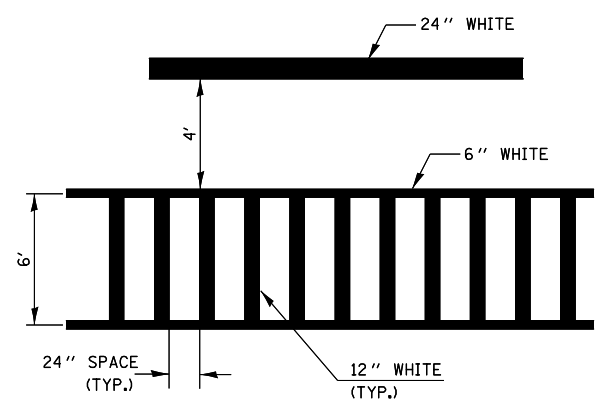
LEFT ARROW

REVERSE FOR RIGHT ARROW
AREA = 15.6 SQ. FT. (1.47 m²)
(WHITE)

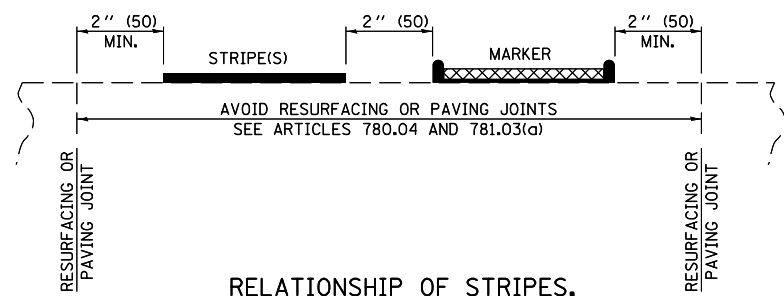


TYPICAL DOUBLE TURN ARROWS (WHITE)

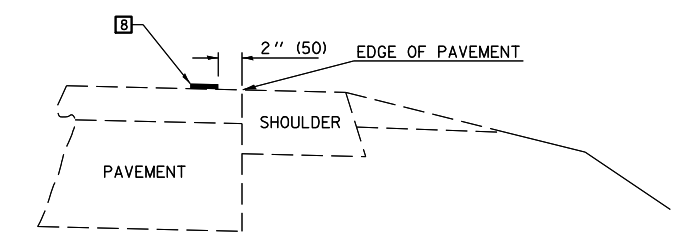
BLOOMINGTON-NORMAL CITY LIMITS ONLY



TYPICAL SPACING FOR CROSSWALKS & STOP BARS



RELATIONSHIP OF STRIPES, MARKERS AND JOINTS



RELATIONSHIP OF EDGE LINE TO EDGE OF PAVEMENT (SAFETY SHOULDER OR PAVED SURFACE) SEE ARTICLE 780.04

CROSSWALK WIDTH 6'-0" (1.8 m) OR AS SHOWN IN THE PLANS

Note: All dimensions are in INCHES (millimeters) unless otherwise shown.

| | | | | | | | | | | |
|---|---------------------|-------------------------|---|---|--|-------------|---------|--------|--------------|-----------|
| FILE NAME = | USER NAME = hoganbj | DESIGNED - | REVISED - 11/06 | STATE OF ILLINOIS DEPARTMENT OF TRANSPORTATION | PAVEMENT MARKING AND MARKERS (RURAL & URBAN APPLICATIONS) | F.A.P. RTE. | SECTION | COUNTY | TOTAL SHEETS | SHEET NO. |
| ei:\pw\work\p\idot\hoganbj\d0142533\0570052-sht-details.CEL | DRAWN - | REVISED - 09/2009 - KJI | 315 | | | 121BR-2 | MCLEAN | 144 | 106 | |
| PLOT SCALE = 40.0000' / in. | CHECKED - | REVISED - | CONTRACT NO. 70552 | | | | | | | |
| PLOT DATE = 8/22/2011 | DATE - | REVISED - | FED. ROAD DIST. NO. - ILLINOIS FED. AID PROJECT | | | | | | | |