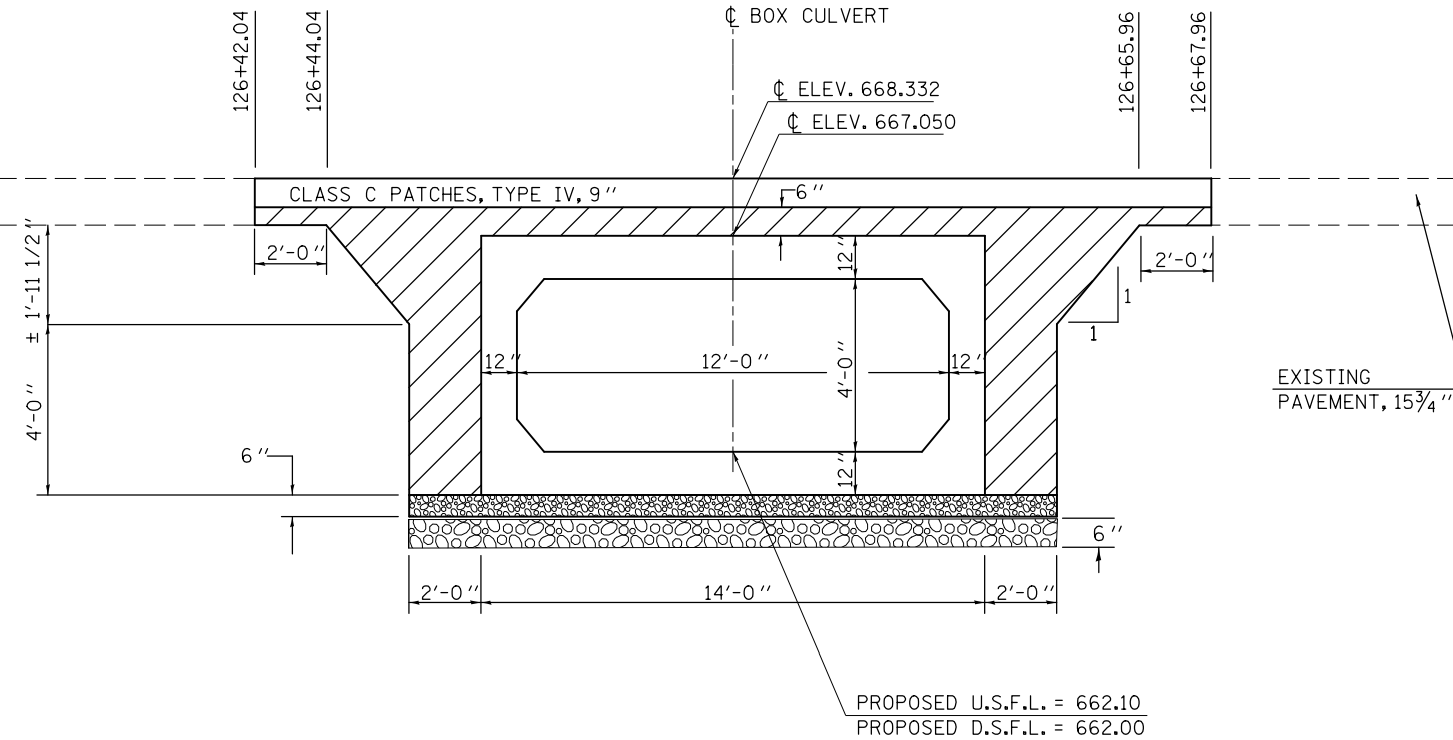


POROUS GRANULAR EMBANKMENT DETAILS

CULVERT NO. 1, STATION 126 + 55.00 S.N. 023-8064



GENERAL NOTES

STONE RIPRAP, CLASS A1

STONE RIPRAP, CLASS A1 SHALL BE USED WHERE A.R. CULVERTS ARE REQUIRED TO BE UNDERCUT DUE TO UNSTABLE SOIL CONDITIONS.

WORK SHOWN IN THE DETAIL SHALL BE PERFORMED IN ACCORDANCE WITH APPLICABLE PORTIONS OF SECTION 281 AND SECTION 282 OF THE STANDARD SPECIFICATIONS.

THIS WORK SHALL BE PAID FOR AT THE CONTRACT UNIT PRICE PER TON FOR STONE RIPRAP, CLASS A1. FILTER FABRIC WILL NOT BE PAID FOR SEPARATELY, BUT SHALL BE INCLUDED WITH THE PAY ITEM FOR STONE, RIPRAP, CLASS A1.

THE EXCAVATION AND REMOVAL OF THE UNSUITABLE MATERIAL UNDER THE STRUCTURE WILL NOT BE PAID FOR SEPARATELY, BUT SHALL BE INCLUDED WITH THE PAY ITEM FOR STONE RIPRAP, CLASS A1.

POROUS GRANULAR EMBANKMENT

POROUS GRANULAR EMBANKMENT SHALL EXTEND 2 FT. BEYOND THE AGGREGATE SHOULDER.

WORK SHOWN IN DETAIL SHALL BE DONE ACCORDING TO THE APPLICABLE PORTIONS OF ARTICLE 207 AND ARTICLE 540 OF THE STANDARD SPECIFICATIONS.

THIS WORK SHALL BE PAID FOR AT THE CONTRACT UNIT PRICE PER CUBIC YARD FOR POROUS GRANULAR EMBANKMENT.

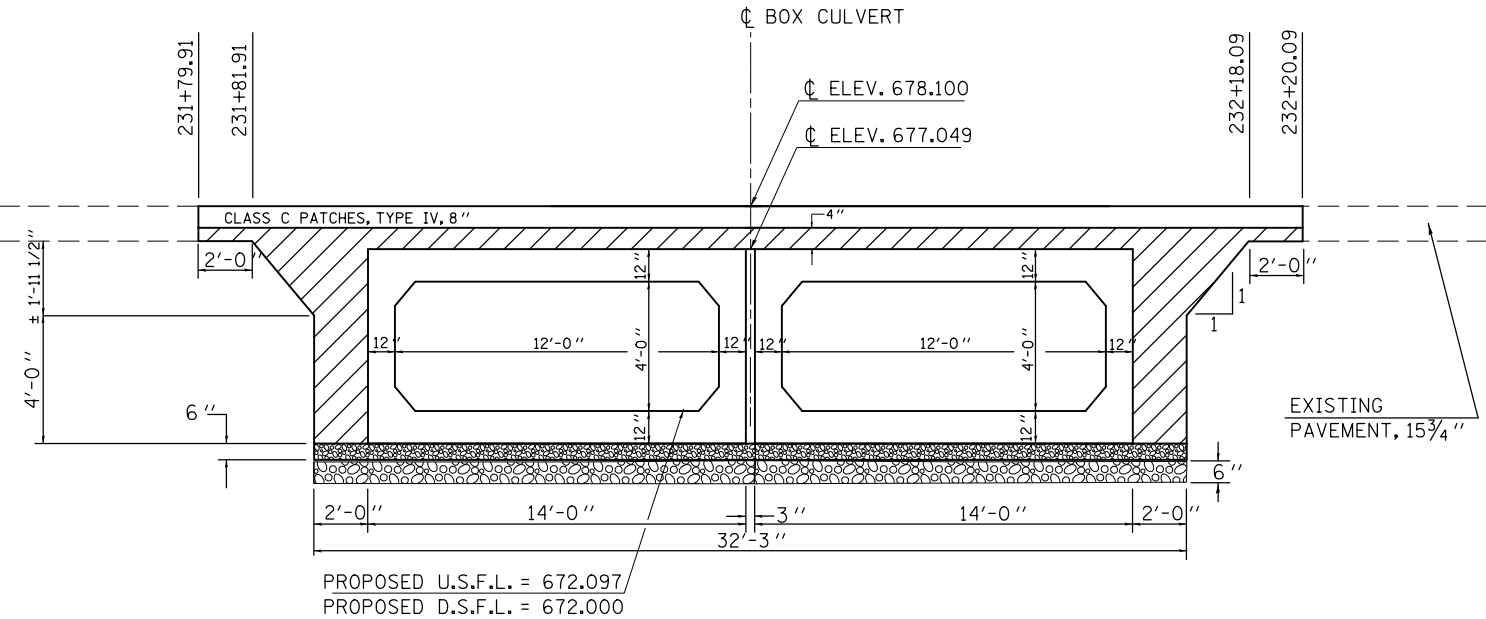
THE AREA TO BE EXCAVATED FOR THE PROPOSED BOX CULVERT SHALL NOT BE MEASURED FOR PAYMENT. THE COST OF THE EXCAVATION SHALL BE CONSIDERED AS INCLUDED IN THE COST OF PRECAST CONCRETE BOX CULVERTS AND BOX CULVERT END SECTIONS.

LEGEND	
	POROUS GRANULAR EMBANKMENT (CA-6)
	POROUS GRANULAR MATERIAL (CA-7) INCLUDED WITH PRECAST BOX CULVERT ITEMS
	STONE RIPRAP, CLASS A1

BILL OF MATERIAL		
ITEM	UNIT	TOTAL
POROUS GRANULAR EMBANKMENT	CU YDS	55.0
STONE RIPRAP, CLASS A1	TONS	27.0

POROUS GRANULAR EMBANKMENT DETAIL

CULVERT NO. 2, STATION 232 + 00.00 S.N. 023-2018



GENERAL NOTES

STONE RIPRAP, CLASS A1

STONE RIPRAP, CLASS A1 SHALL BE USED WHERE A.R. CULVERTS ARE REQUIRED TO BE UNDERCUT DUE TO UNSTABLE SOIL CONDITIONS.

WORK SHOWN IN THE DETAIL SHALL BE PERFORMED IN ACCORDANCE WITH APPLICABLE PORTIONS OF SECTION 281 AND SECTION 282 OF THE STANDARD SPECIFICATIONS.

THIS WORK SHALL BE PAID FOR AT THE CONTRACT UNIT PRICE PER TON FOR STONE RIPRAP, CLASS A1. FILTER FABRIC WILL NOT BE PAID FOR SEPARATELY, BUT SHALL BE INCLUDED WITH THE PAY ITEM FOR STONE, RIPRAP, CLASS A1.

THE EXCAVATION AND REMOVAL OF THE UNSUITABLE MATERIAL UNDER THE STRUCTURE WILL NOT BE PAID FOR SEPARATELY, BUT SHALL BE INCLUDED WITH THE PAY ITEM FOR STONE RIPRAP, CLASS A1.

POROUS GRANULAR EMBANKMENT

POROUS GRANULAR EMBANKMENT SHALL EXTEND 2 FT. BEYOND THE AGGREGATE SHOULDER.

WORK SHOWN IN DETAIL SHALL BE DONE ACCORDING TO THE APPLICABLE PORTIONS OF ARTICLE 207 AND ARTICLE 540 OF THE STANDARD SPECIFICATIONS.

THIS WORK SHALL BE PAID FOR AT THE CONTRACT UNIT PRICE PER CUBIC YARD FOR POROUS GRANULAR EMBANKMENT.

THE AREA TO BE EXCAVATED FOR THE PROPOSED BOX CULVERT SHALL NOT BE MEASURED FOR PAYMENT. THE COST OF THE EXCAVATION SHALL BE CONSIDERED AS INCLUDED IN THE COST OF PRECAST CONCRETE BOX CULVERTS AND BOX CULVERT END SECTIONS.

LEGEND	
	POROUS GRANULAR EMBANKMENT (CA-6)
	POROUS GRANULAR MATERIAL (CA-7) INCLUDED WITH PRECAST BOX CULVERT ITEMS
	STONE RIPRAP, CLASS A1

BILL OF MATERIAL		
ITEM	UNIT	TOTAL
POROUS GRANULAR EMBANKMENT	CU YDS	58.0
STONE RIPRAP, CLASS A1	TONS	60.0

FILE NAME =	USER NAME = keysrb	DESIGNED -	REVISED -
ci:\pwork\pwork\dot\keysrb\104347\057068-sht-detail.dgn		DRAWN -	REVISED -
		CHECKED -	REVISED -
		DATE -	REVISED -

**STATE OF ILLINOIS
DEPARTMENT OF TRANSPORTATION**

POROUS GRANULAR EMBANKMENT DETAIL FOR CULVERT NO. 1 & 2		F.A.P. RTE.	SECTION	COUNTY	TOTAL SHEETS	SHEET NO.
		749	14BR,14CR,123CR	EDGAR	115	62
		CONTRACT NO. 70618				
SCALE:	SHEET NO. 1 OF 2 SHEETS	STA.	TO STA.			
ILLINOIS FED. AID PROJECT						