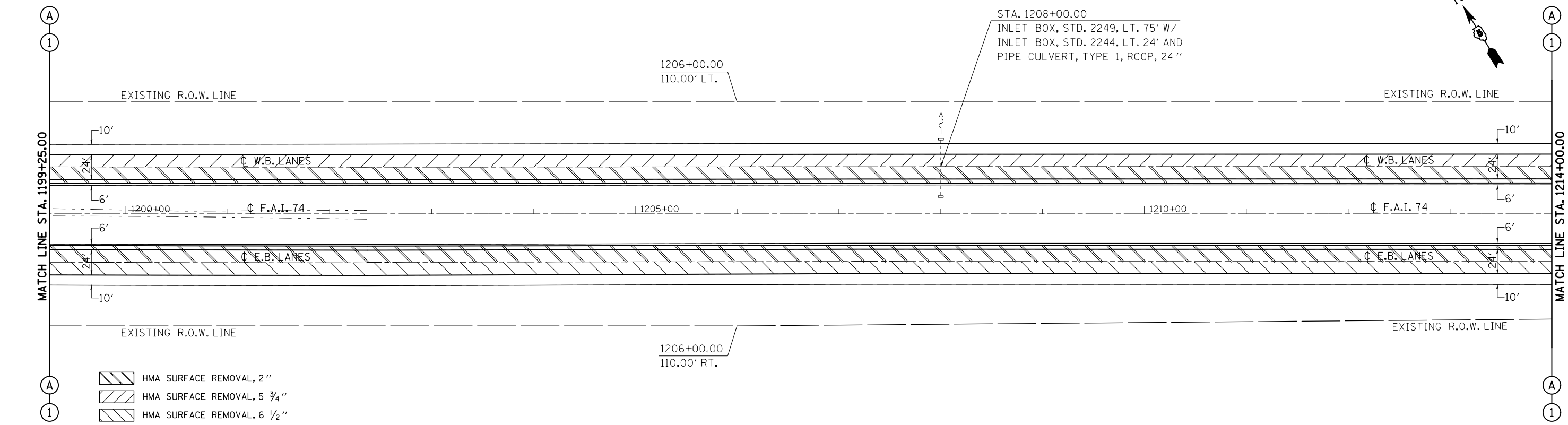
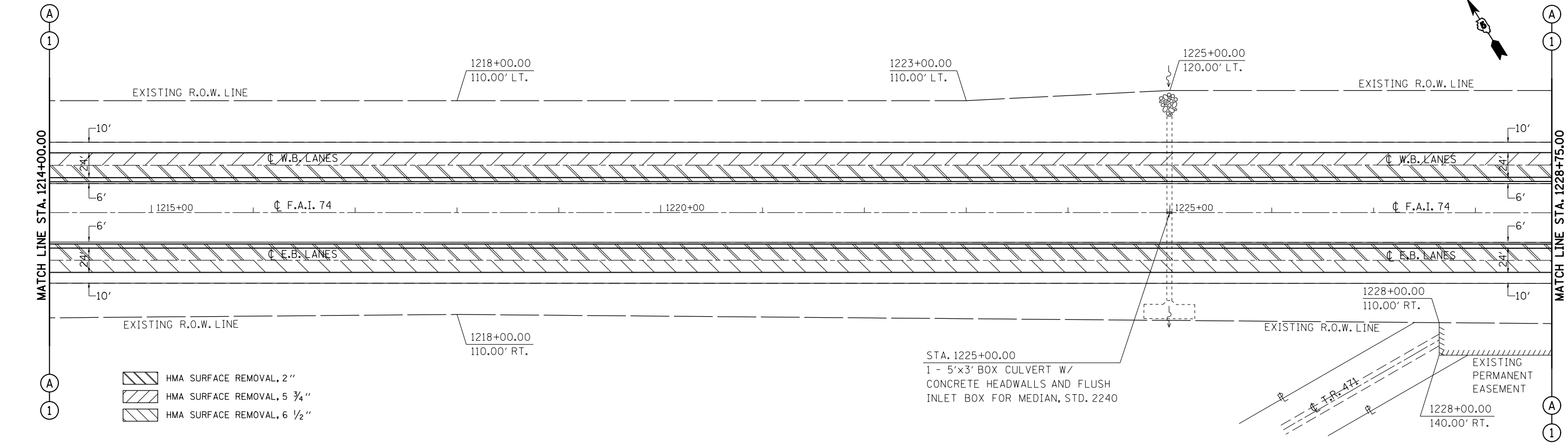


SEC. 11, T. 22 N., R. 3 E., 3RD P.M.



SEC. 11, T. 22 N., R. 3 E., 3RD P.M.



FILE NAME =	USER NAME = personbr	DESIGNED - GAE	REVISED -	<p align="center">STATE OF ILLINOIS DEPARTMENT OF TRANSPORTATION</p>	<p align="center">F.A.I. 74 (I-74) PLAN SHEETS</p>	F.A.I. RTE. 74	SECTION (57-23,57-24)RS-1	COUNTY MCLEAN	TOTAL SHEETS 175	SHEET NO. 43		
et:\pwwork\pwwork\personbr\d0184863\0570648-sh1-plan.dgn	PLOT SCALE = 100.0000' / 1"	CHECKED -	REVISED -			SCALE: 1" = 50'	SHEET NO. 5 OF 15 SHEETS	STA. 1199+25.00 TO STA. 1228+75.00		CONTRACT NO. 70648		
PLOT DATE = 8/25/2011	DATE - 08/26/10	REVIS	REVISE			ILLINOIS FED. AID PROJECT						