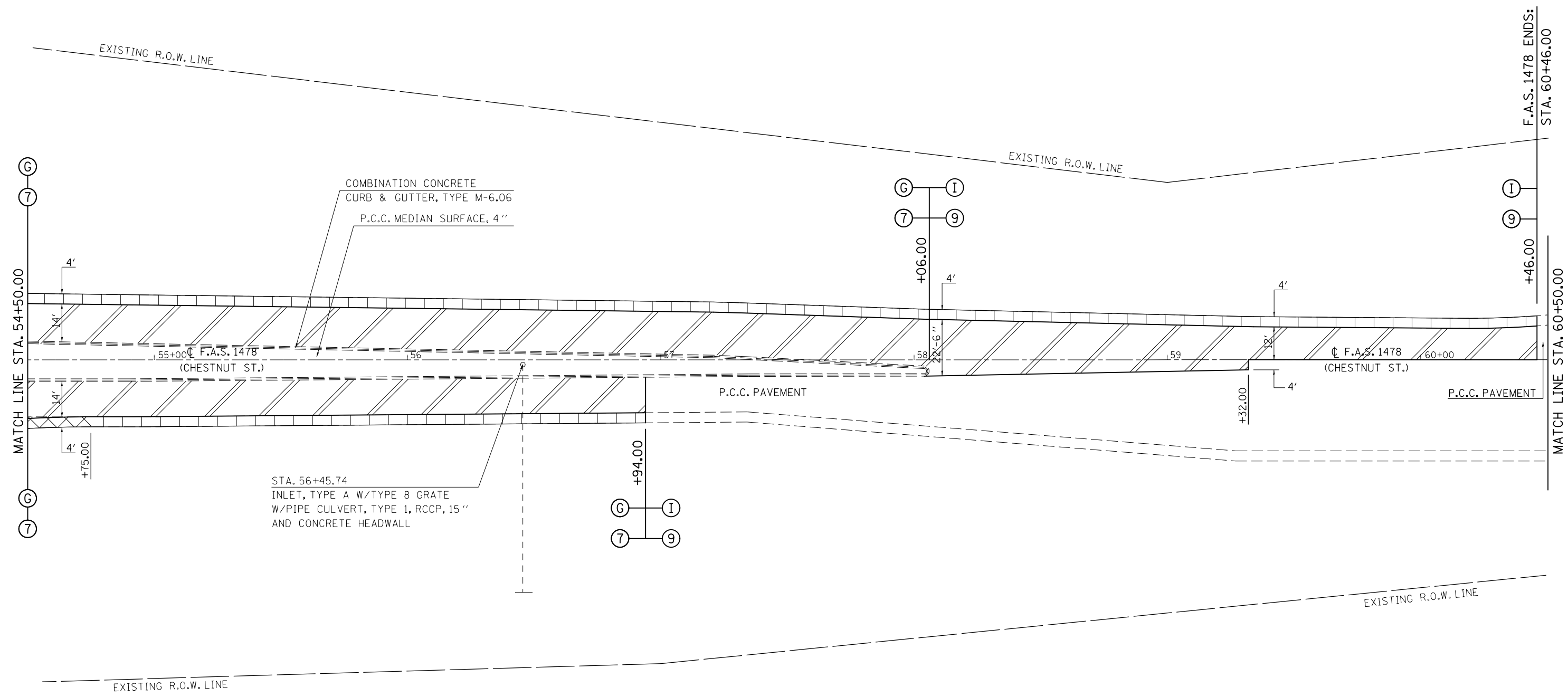
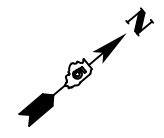


SEC. 20, T. 22 N., R. 4 E., 3RD P.M.



- HMA SURFACE REMOVAL, 1 1/2"
- HMA SURFACE REMOVAL, 2 1/2"

SEC. 28, T. 22 N., R. 4 E., 3RD P.M.

FILE NAME =	USER NAME = ppersonbr	DESIGNED - GAE	REVISED -
et:\pwork\pwork\personbr\0184863\0570648-sh-t-plan_FAS1478.dgn		DRAWN - BBP	REVISED -
	PLOT SCALE = 48.0000' / in.	CHECKED -	REVISED -
	PLOT DATE = 8/25/2011	DATE - 03/17/11	REVISED -

STATE OF ILLINOIS
DEPARTMENT OF TRANSPORTATION

PLAN SHEETS
F.A.S. 1478

SCALE: 1" = 20' SHEET NO. 6 OF 7 SHEETS STA. 54+50.00 TO STA. 60+50.00

F.A.I. RTE.	SECTION	COUNTY	TOTAL SHEETS	SHEET NO.
74	(57-23,57-24)RS-1	MCLEAN	175	60
CONTRACT NO. 70648				
ILLINOIS FED. AID PROJECT				