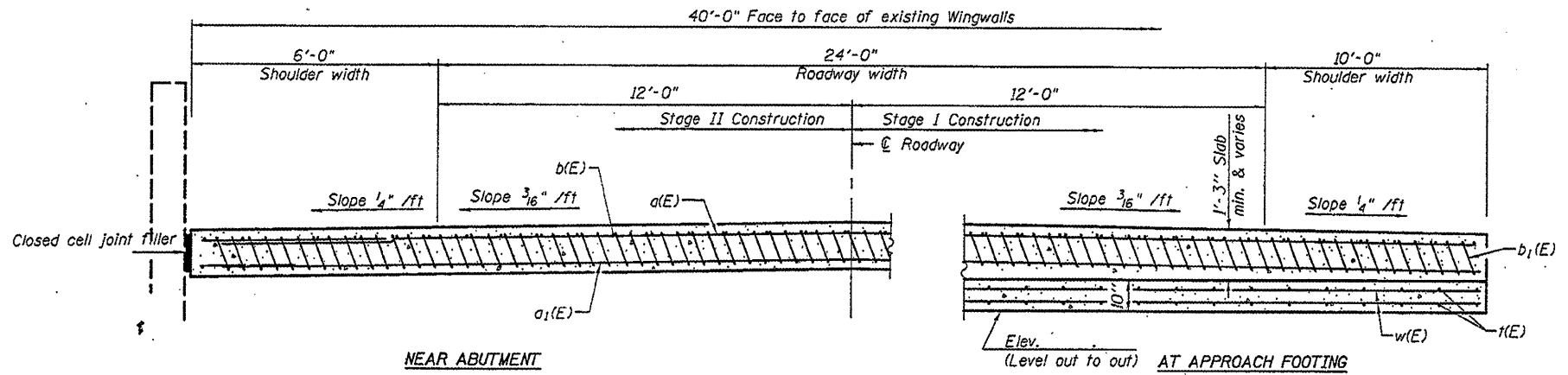


Notes:
 See sheet 7 of 14 for Detail A
 Approach slab and parapet concrete shall be paid for as Concrete Superstructure.
 Approach footing concrete shall be paid for as Concrete Structures.
 Reinforcement shall be paid for as Reinforcement Bars, Epoxy Coated.
 The approach footing maximum applied service bearing pressure (Q_{max}) = 2.0 ksf.
 For bar splicer details, see sheet 9 of 14.
 Cost of excavation for approach footing included with Concrete Structures.

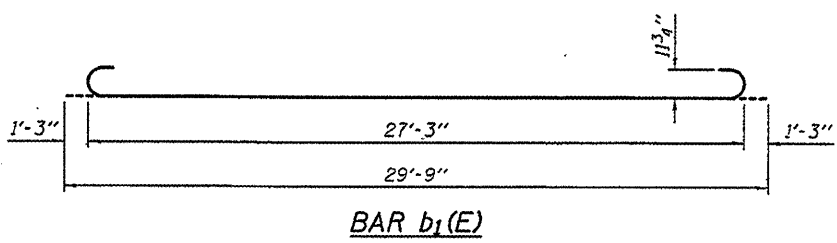
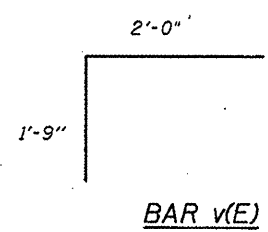
Existing Hatch Block to remain.
 Damage to hatch block or bridge joint at contractors expense.



* Tilt #9 b1(E) bars as required to maintain clearance.
 *** Cost included with Concrete Superstructure.
 ** Epoxy grout v(E) bars in accordance with Art. 584 of the Standard Specifications.
 Cost included with Reinforcement Bars, Epoxy Coated.

**TWO APPROACHES
 BILL OF MATERIAL**

BAR	NO.	SIZE	LENGTH	SHAPE
a(E)-stage I	50	#4	23' - 5"	U
a(E)-stage II	50	#4	19' - 1"	U
a1(E)-stage I	92	#5	23' - 5"	U
a1(E)-stage II	92	#5	19' - 1"	U
b(E)	64	#4	29' - 8"	U
b1(E)	188	#9	29' - 9"	C
t(E)	160	#4	10' - 3"	U
w(E)-stage I	80	#5	23' - 5"	U
w(E)-stage II	80	#5	19' - 1"	U
v(E)	84	#5	3' - 9"	L
Concrete Superstructure			Cu. Yd.	118.8
Concrete Structures			Cu. Yd.	24.7
Reinforcement Bars, Epoxy Coated			Pound	30,760
Bar Splicers			Each	222



FILE NAME =	USER NAME = piersonbr	DESIGNED - TJB	REVISED - 8/8/11
c:\pwork\prodact\piersonbr\08184863\05	0648-sht-Structure-plans.dgn	DRAWN - JJB	REVISED - 8/10/11
	PLOT SCALE = 40.0000' / in.	CHECKED -	REVISED -
	PLOT DATE = 8/25/2011	DATE -	REVISED -

STATE OF ILLINOIS
 DEPARTMENT OF TRANSPORTATION

BRIDGE APPROACH SLAB DETAILS
 STRUCTURE NO. 057-0128

F.A.I. RTE.	SECTION	COUNTY	TOTAL SHEETS	SHEET NO.
74	157-23.57-24/RS-1	MCLEAN	175	82
SCALE:			CONTRACT NO. 70648	
SHEET NO. 8 OF 14 SHEETS			ILLINOIS FED. AID PROJECT	

(Sheet 2 of 2)