

# DRAINAGE STRUCTURE IMPROVEMENT DETAIL

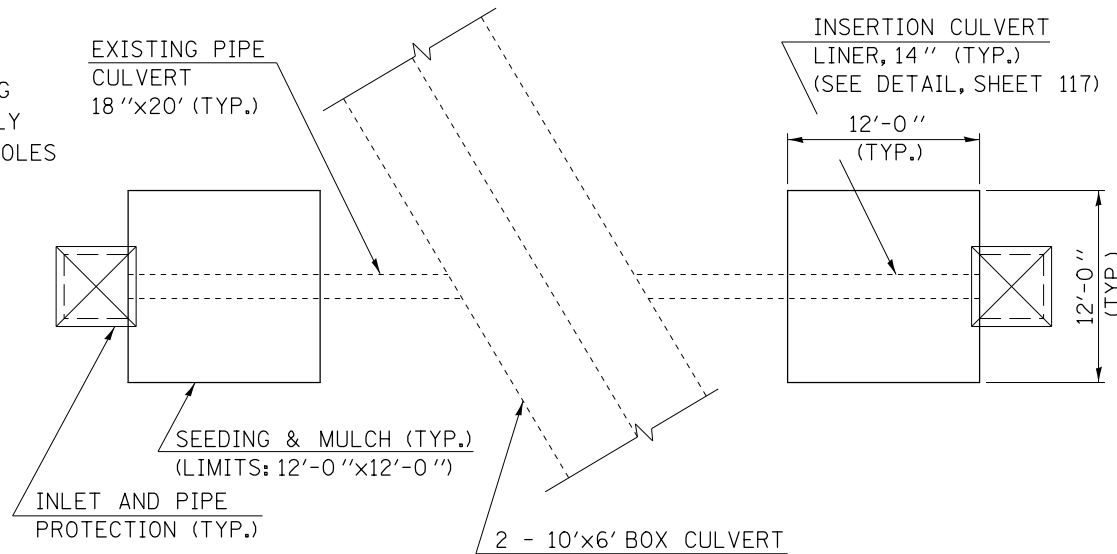
## LOCATION #6 STA. 123+20.00

**NOTE:**

THE EXISTING STRUCTURE AT STATION 123+20.00 CONSISTS OF DUAL MEDIAN INLET BOXES WITH 18" CMP CULVERTS THAT DRAIN INTO A DOUBLE 10' X 6' CONCRETE BOX CULVERT. THE 18" CMP CONNECTING THE OFFSET MEDIAN INLETS TO THE CONCRETE BOX CULVERT IS HEAVILY RUSTED AND IS BEGINNING TO FAIL. THIS FAILURE IS CAUSING SINK HOLES AND DRAINAGE ISSUES AROUND THE MEDIAN INLET BOXES.

THE PROPOSED SCOPE OF WORK IS TO INSERT A CULVERT LINER INTO THE EXISTING CMP TO REMOVE THE CULVERT DEFICIENCY AND TO IMPROVE DRAINAGE. ALL SINK HOLES AROUND THE STRUCTURE SHALL BE FILLED TO FINISH GRADE AND WILL BE PAID FOR SEPARATELY AS FURNISHED EXCAVATION.

OTHER PROPOSED IMPROVEMENTS INCLUDE THE REMOVAL OF ALL TREES AND BRUSH AT THE DOWNSTREAM (SOUTH) END AND TO REPLACE THE EXISTING FENCE WITH WOVEN WIRE FENCE, 4 FT.

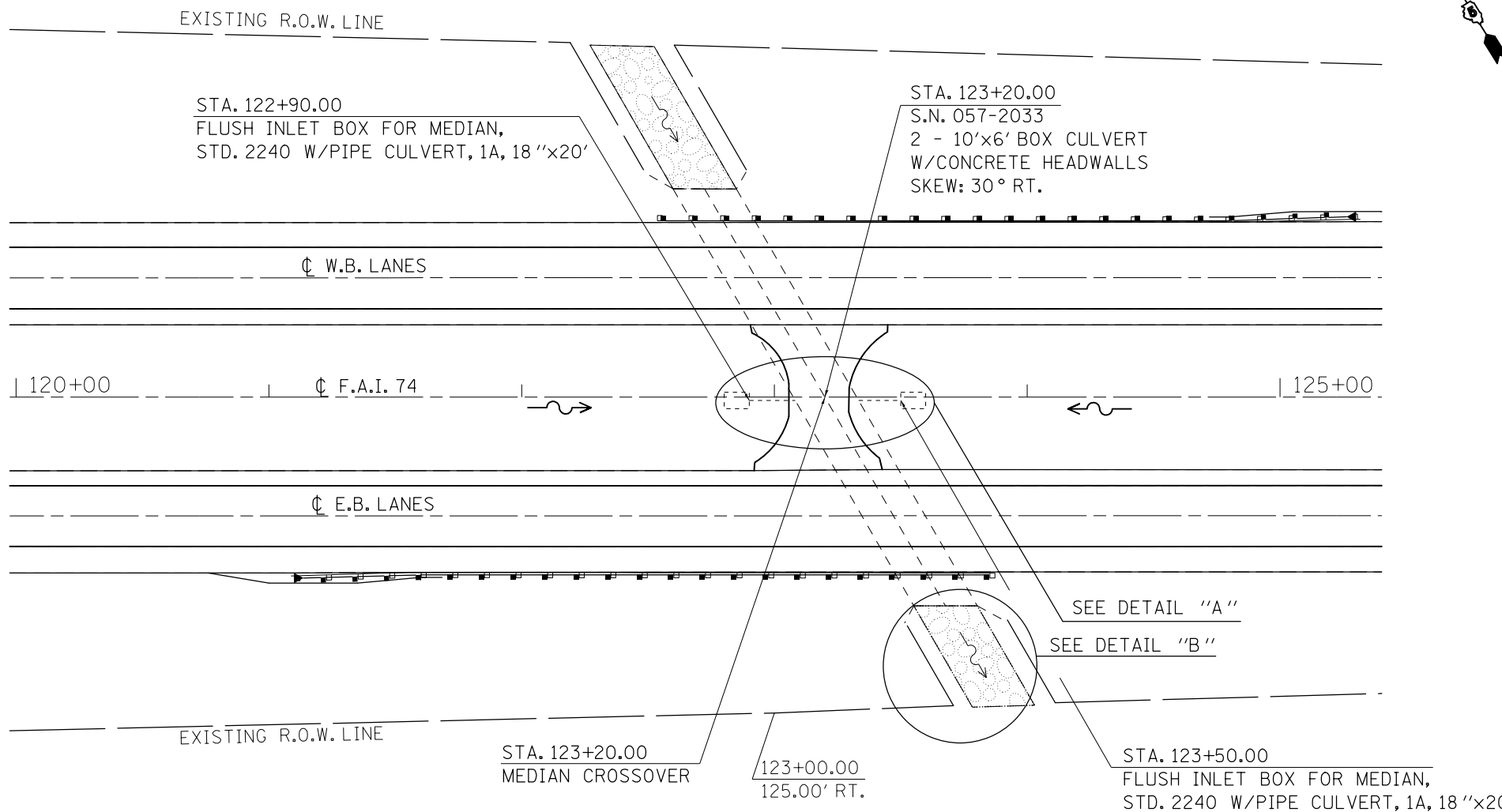


PLAN  
DETAIL "A"

BILL OF MATERIALS

LOCATION # 6; STATION 123+20.00

ITEM #	DESCRIPTION	UNIT	QUANTITY
20400800	FURNISHED EXCAVATION	CU YD	12.00
25000210	SEEDING, CLASS 2A	ACRE	0.006
25000400	NITROGEN FERTILIZER NUTRIENT	POUND	0.54
25000500	PHOSPHORUS FERTILIZER NUTRIENT	POUND	0.54
25000600	POTASSIUM FERTILIZER NUTRIENT	POUND	0.54
25100115	MULCH, METHOD 2	ACRE	0.006
28000250	TEMPORARY EROSION CONTROL SEEDING	POUND	0.60
28000500	INLET AND PIPE PROTECTION	EACH	2.00
54390110	INSERTION CULVERT LINER, 14"	FOOT	40.00
66500105	WOVEN WIRE FENCE, 4'	FOOT	40.00
X2010350	TREE REMOVAL ACRES (SPECIAL)	ACRE	0.04
Z0022800	FENCE REMOVAL	FOOT	40.00



PLAN  
DETAIL "B"

