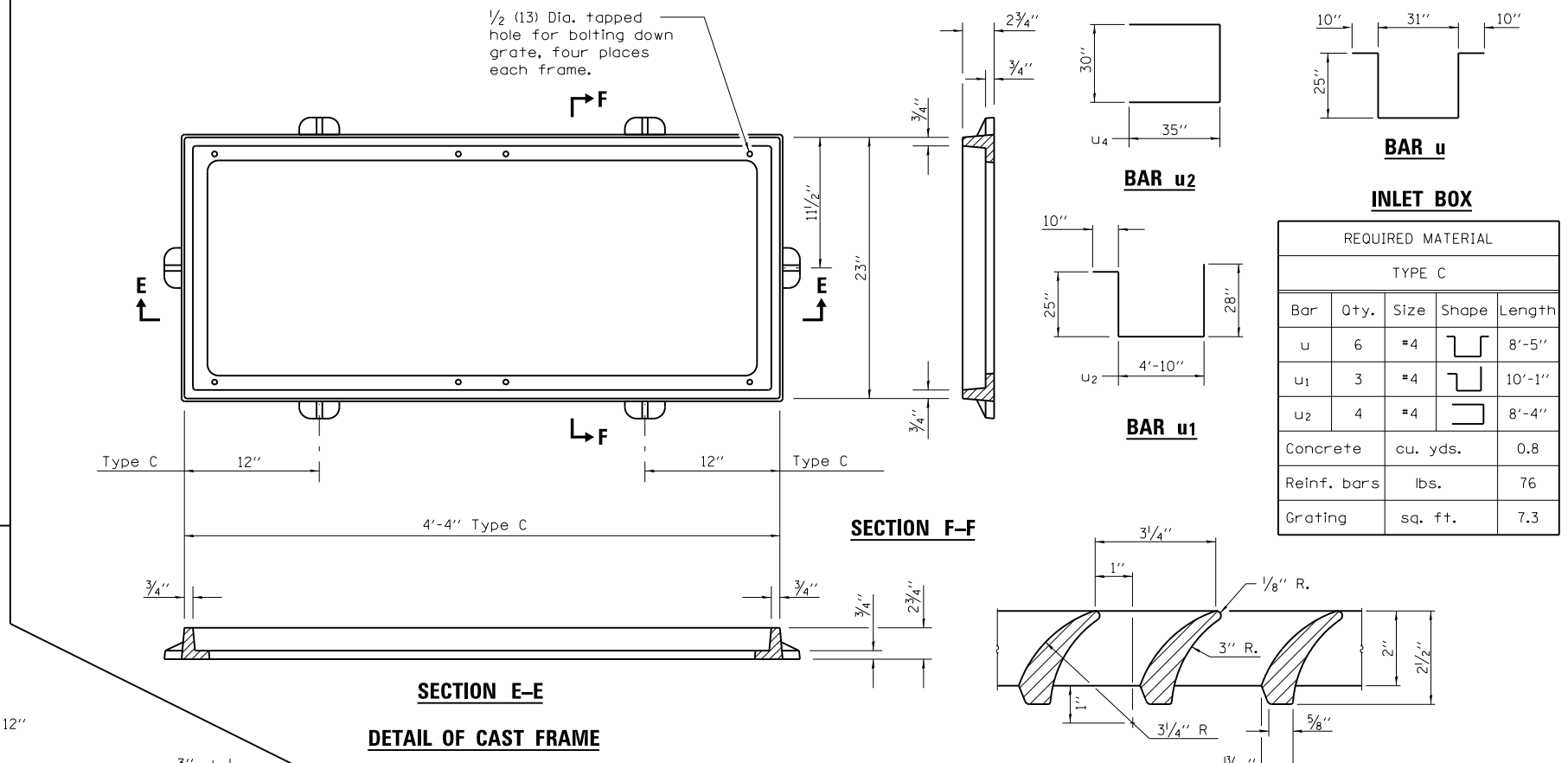
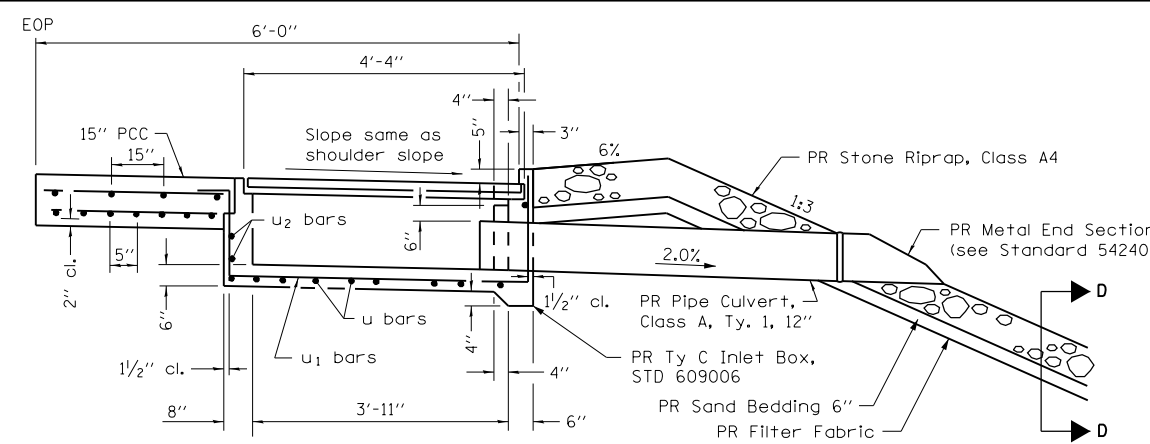


BUT JOINT DETAIL
 STA. 1940+60 TO STA. 1941+05
 STA. 1950+30 TO STA. 1950+75

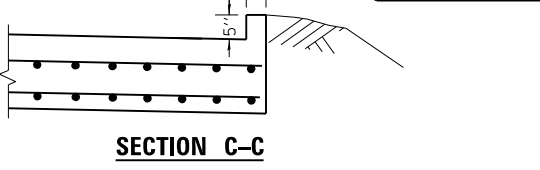


REQUIRED MATERIAL

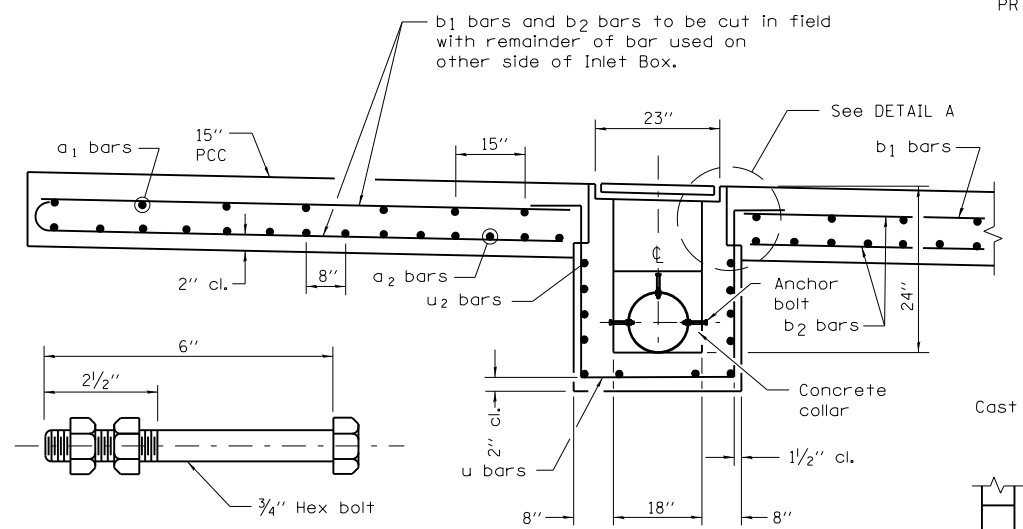
TYPE C				
Bar	Qty.	Size	Shape	Length
u	6	#4	U	8'-5"
u1	3	#4	U	10'-1"
u2	4	#4	U	8'-4"
Concrete	cu. yds.			0.8
Reinf. bars	lbs.			76
Grating	sq. ft.			7.3



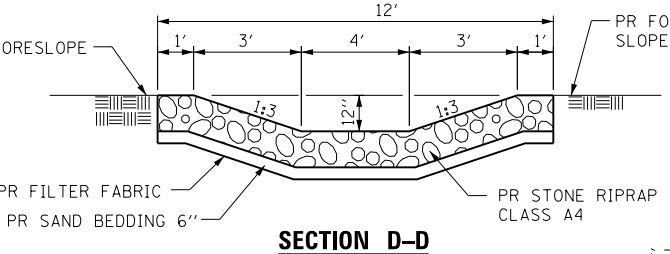
SECTION B-B



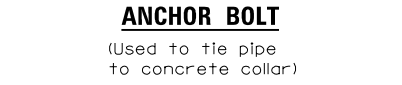
SECTION C-C



SECTION A-A



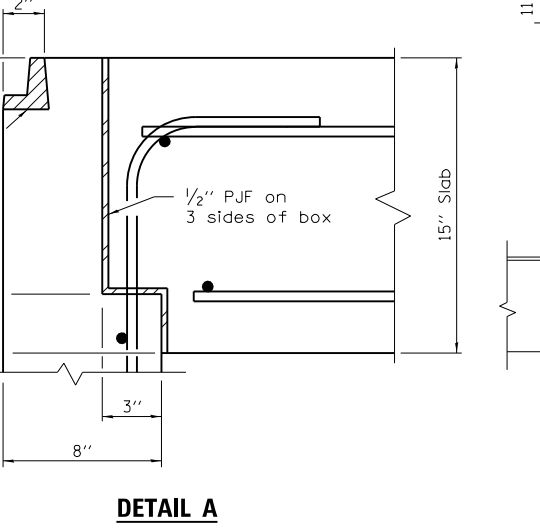
SECTION D-D



ANCHOR BOLT
 (Used to tie pipe to concrete collar)

INLET TYPE	SHOULDER WIDTH	O-O GRATING FRAME	INLET BOX INSIDE WIDTH	INLET BOX INSIDE LENGTH
Type C	6'	4'-4"	3'-11"	18"

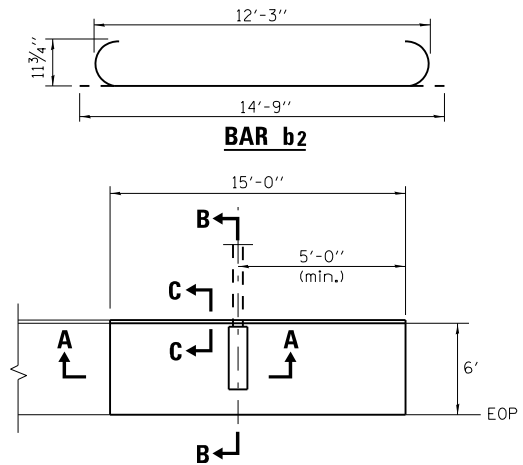
BOX OUTLET WHEN PRECAST



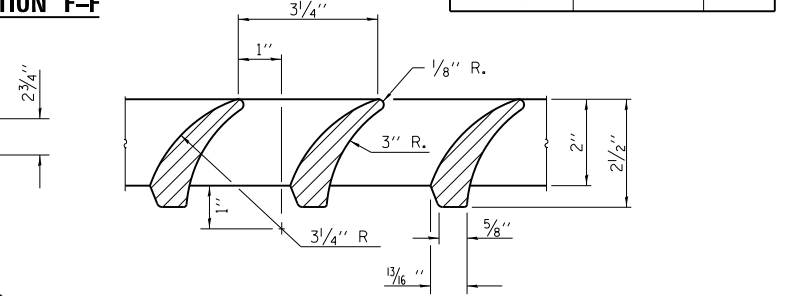
DETAIL A

REQUIRED MATERIAL

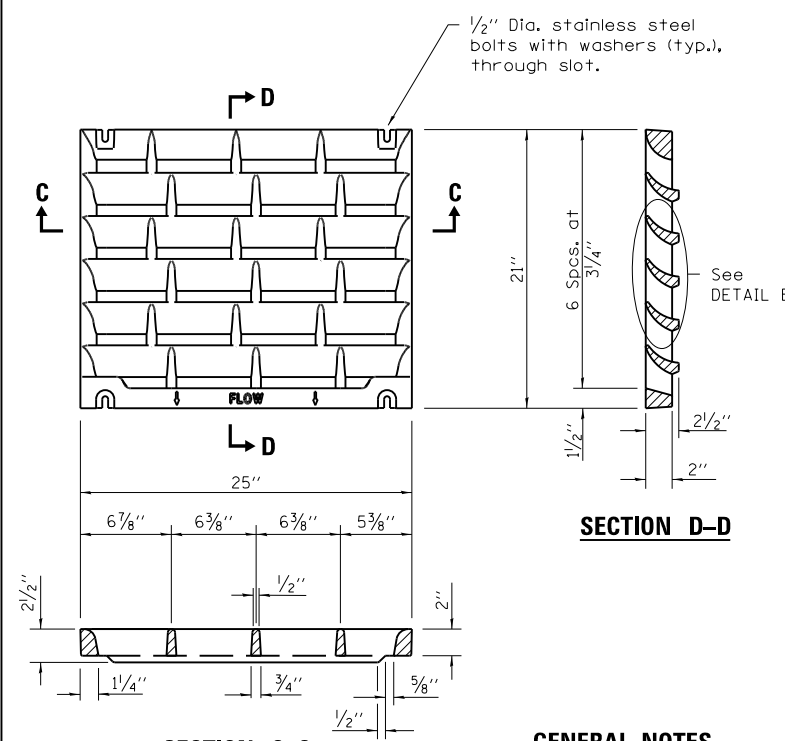
APPROACH SHLDR PVT				
Bar	Qty.	Size	Shape	Length
a1	13	#4	—	5'-9"
a2	31	#5	—	5'-9"
b1	5	#4	—	14'-9"
b2	15	#9	U	14'-9"
Concrete	cu. yds.			3.9
Reinf. bars	lbs.			1,038



TYPICAL DETAIL PLAN
APPROACH SHOULDER & DRAIN DETAIL
 STA. 1946+81.24 LT
 STA. 1946+81.24 RT



DETAIL B



SECTION D-D

SECTION C-C
DETAIL OF CAST GRATE
 Type C requires 2 grates

GENERAL NOTES

All exposed edges of the inlet, except the upper perimeter, shall be beveled 3/4 (20).
 All dimensions are in inches (millimeters) unless otherwise shown.