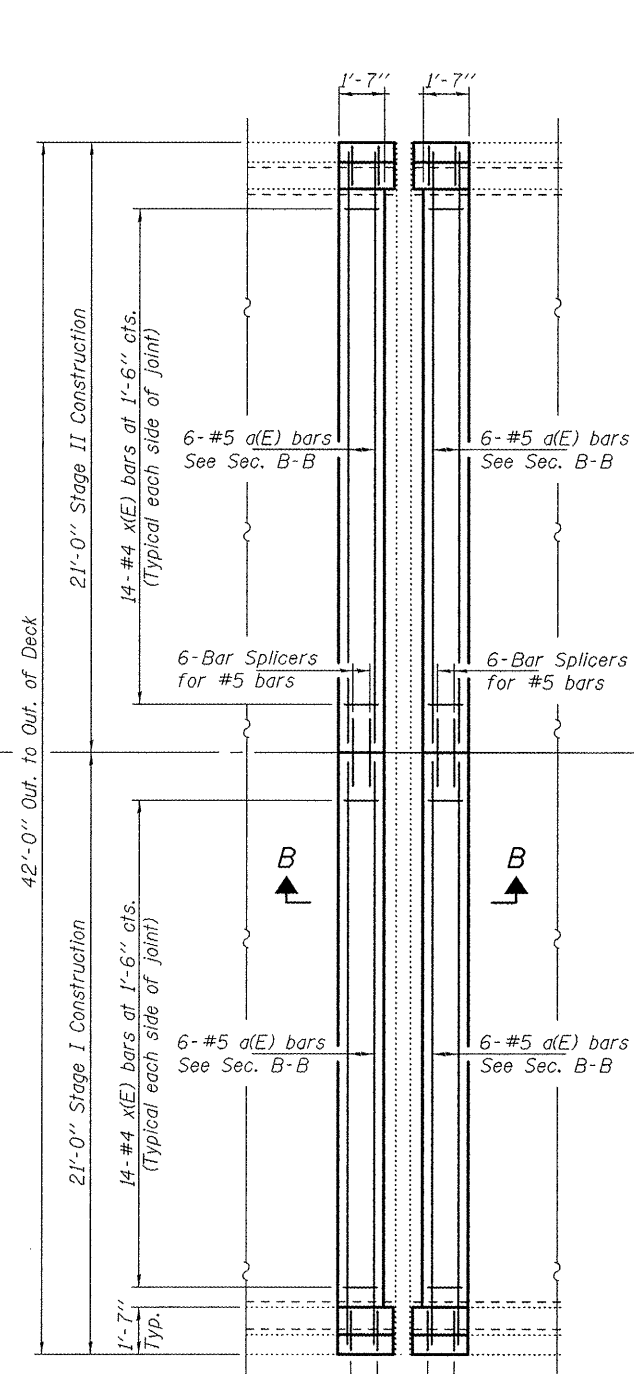


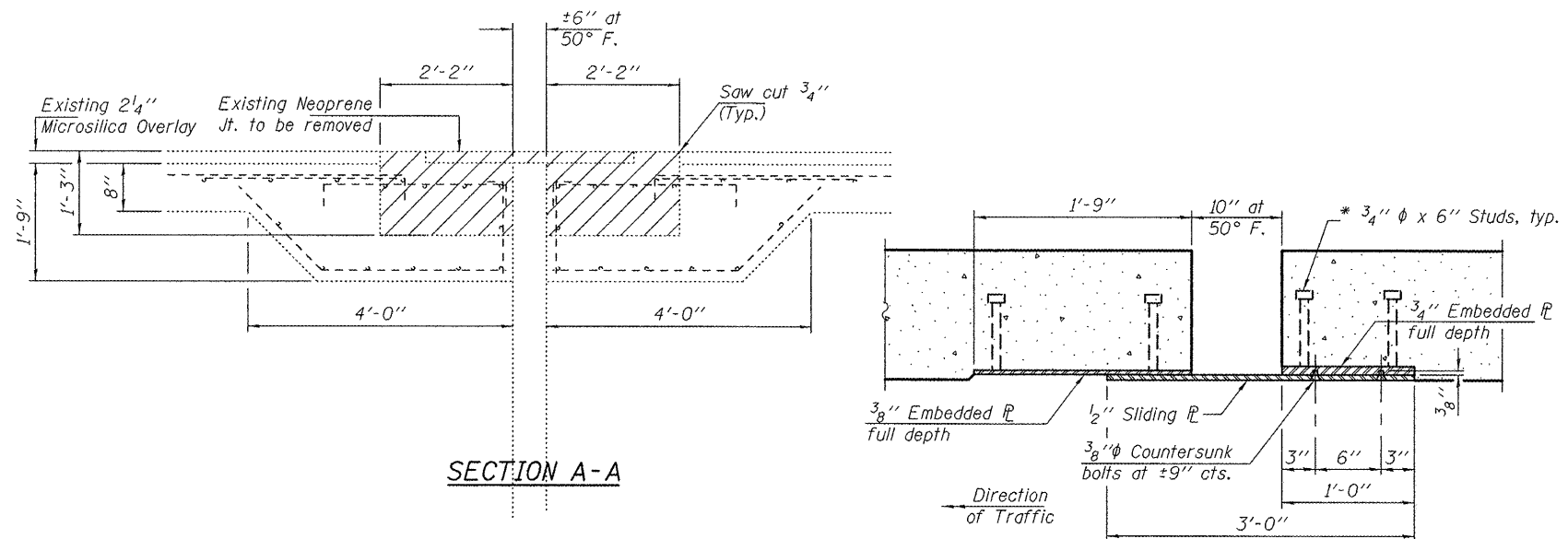
REMOVAL PLAN AT HINGE "A"



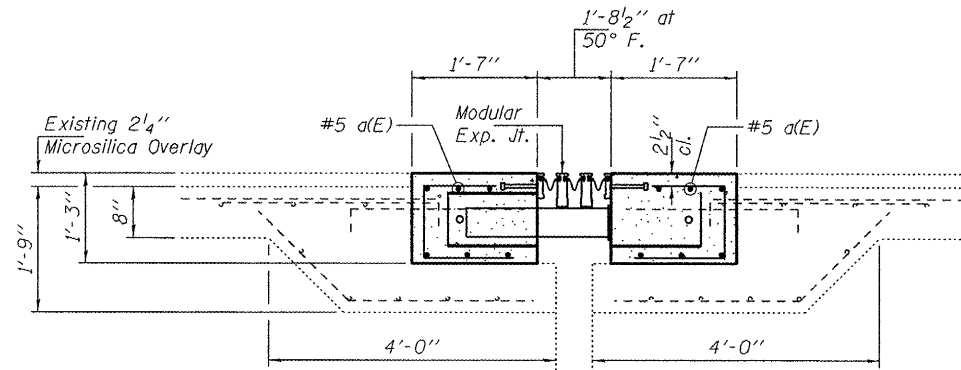
CONCRETE PLAN AT HINGE "A"

Note:
 Hatched areas indicate concrete sections to be removed and replaced. Perimeters of concrete removal areas shall be saw cut 3/4" prior to the removal of concrete.
 The Modular Expansion Joint at Hinge "A" shall have a total movement capability of 15 1/2".
 See sheet 4 of 9 for Parapet Details & d1(E) bars.
 In reference to Article 520.04 of the Standard Specifications, the expansion length handled by Hinge "A" located adjacent to Pier 1 is 790 feet. The expansion length handled by Hinge "A" located adjacent to Pier 4 is 986 feet.

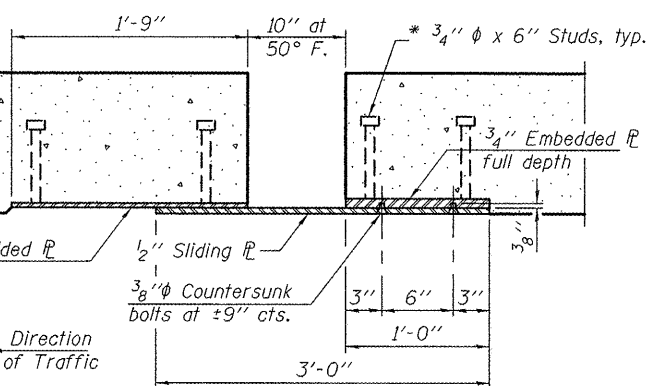
* Dimension for Modular Expansion Joint at 50°F.



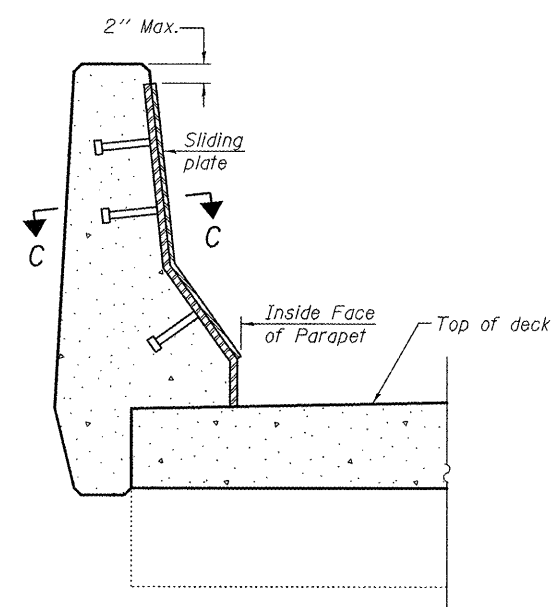
SECTION A-A



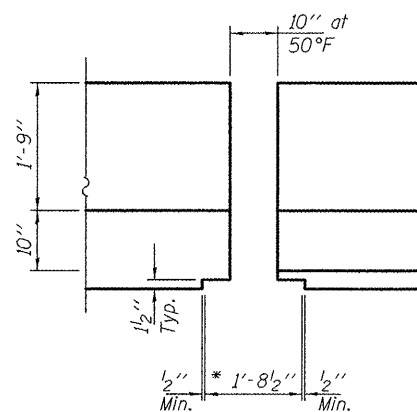
SECTION B-B



SECTION C-C

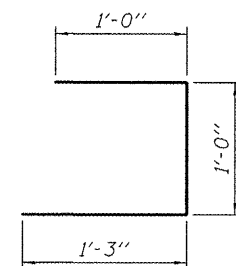


SECTION THRU PARAPET
(at Modular Joints)



PARAPET ELEVATION

(Sliding R's not shown for clarity)
 Cost of sliding plates are included in the Modular Expansion Joint pay item.



BAR x(E)

HINGE "A"
 BILL OF MATERIAL

Bar	No.	Size	Length	Shape
a(E)	48	#5	20'-2"	—
d(E)	24	#4	2'-9"	—
d1(E)	24	#5	6'-1"	⊔
x(E)	112	#4	3'-3"	⊔
Concrete Removal			Cu. Yd.	17.5
Concrete Superstructure			Cu. Yd.	14.0
Reinforcement Bars, Epoxy Coated			Pound	1450
Modular Expansion Joint, 16"			Foot	84

DESIGNED - MKC
 CHECKED - GGE
 DRAWN - Kyle M. Steffen
 CHECKED - MKC

EXAMINED - *James F. Jaffe*
 ACTING ENGINEER OF STRUCTURAL SERVICES
 PASSED - *Carl P. ...*
 ACTING ENGINEER OF BRIDGES AND STRUCTURES
 DATE - OCTOBER 7, 2011

STATE OF ILLINOIS
 DEPARTMENT OF TRANSPORTATION

JOINT REMOVAL & REPLACEMENT DETAILS AT HINGE "A"
 SN 075-0123 (W.B.)
 SHEET NO. 2 OF 9 SHEETS

F.A.I. RTE. 72 SECTION (75.86)BJR-1 COUNTY PIKE TOTAL SHEETS 13 SHEET NO. 6 CONTRACT NO. 72E62 ILLINOIS FED. AID PROJECT