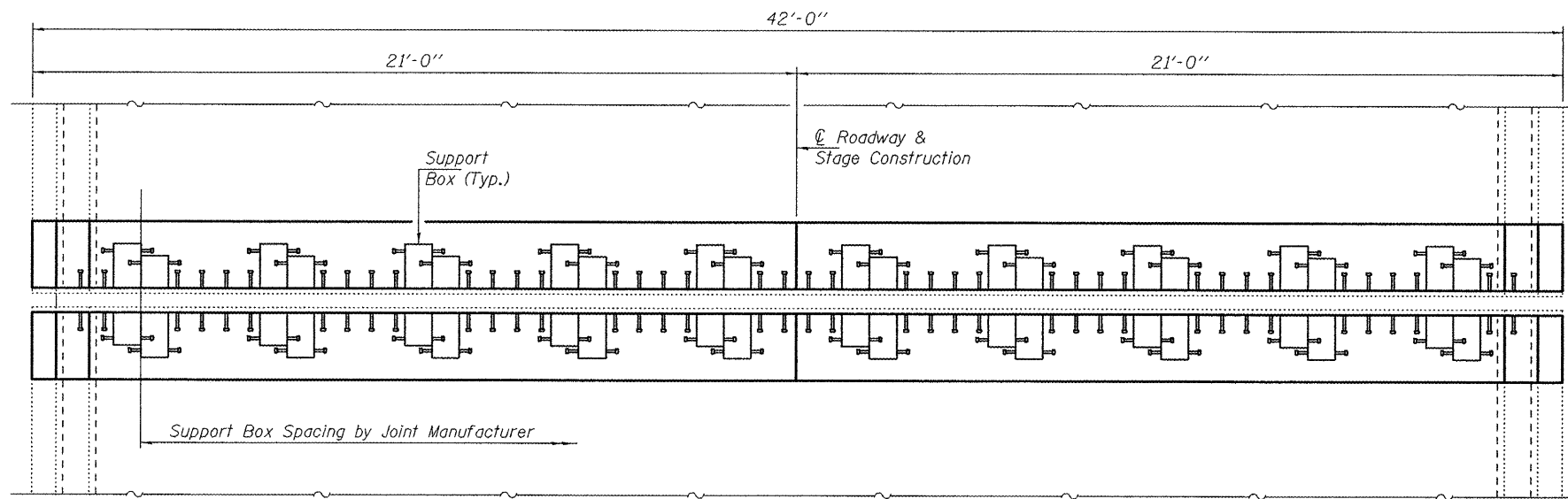
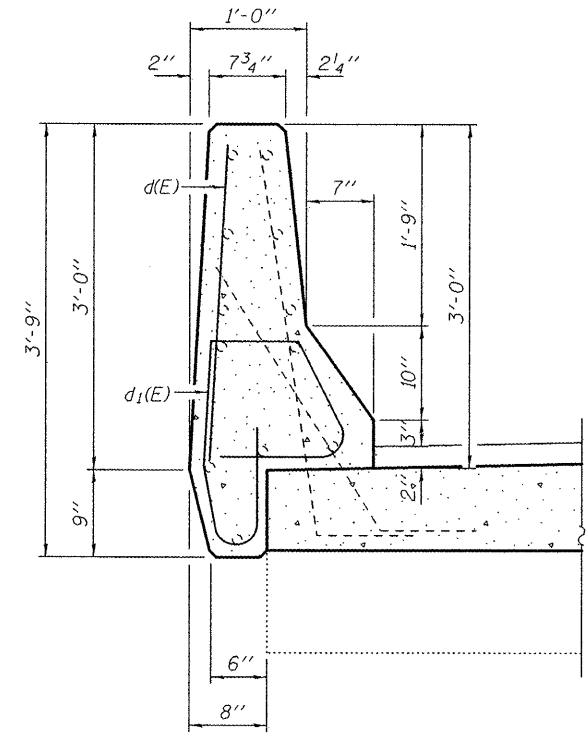


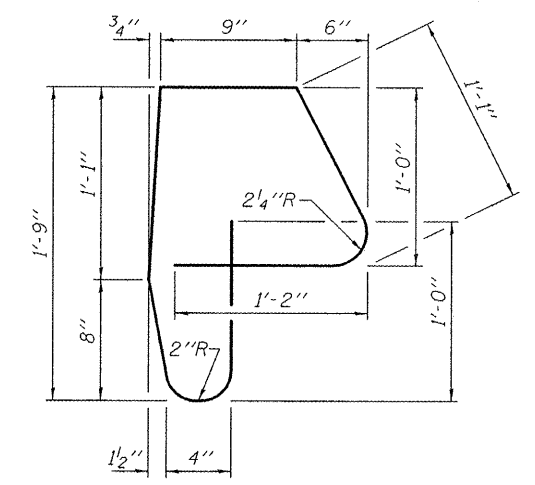
PLAN AT HINGE "A"
 Reinforcement not shown for clarity.
 See sheet 2 of 9 for Reinforcement details.



PLAN AT HINGE "B"
 Reinforcement not shown for clarity.
 See sheet 3 of 9 for Reinforcement details.



TYPICAL PARAPET DETAILS



BAR d₁(E)

DESIGNED - MKC	EXAMINED	DATE - OCTOBER 7, 2011	STATE OF ILLINOIS DEPARTMENT OF TRANSPORTATION	MODULAR EXPANSION JOINTS SN 075-0123 (W.B.)	F.A.I. RTE. 72	SECTION (75,86)BJR-1	COUNTY PIKE	TOTAL SHEETS 13	SHEET NO. 8	
CHECKED - GGE	PASSED				CONTRACT NO. 72E62					
DRAWN - Kyle M. Steffen					ILLINOIS FED. AID PROJECT					
CHECKED - MKC GGE										