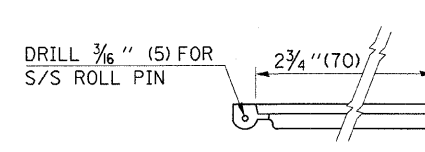
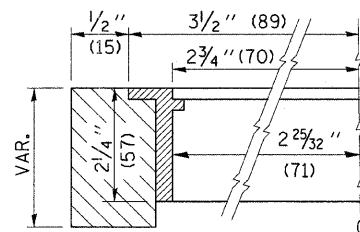


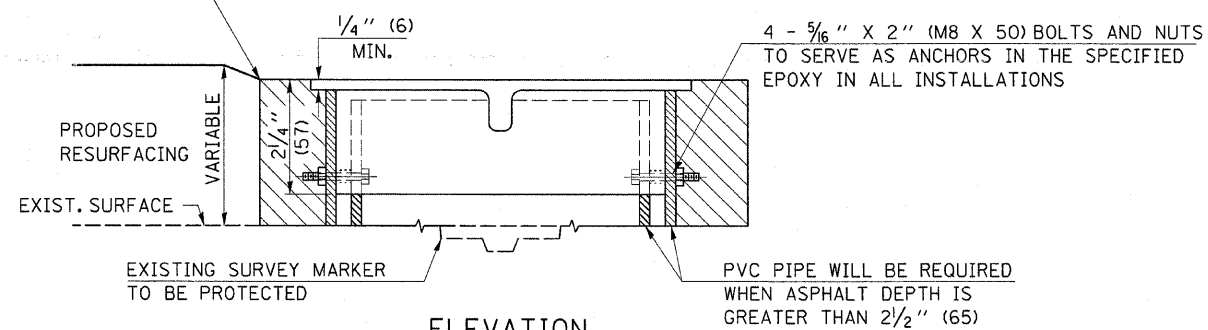
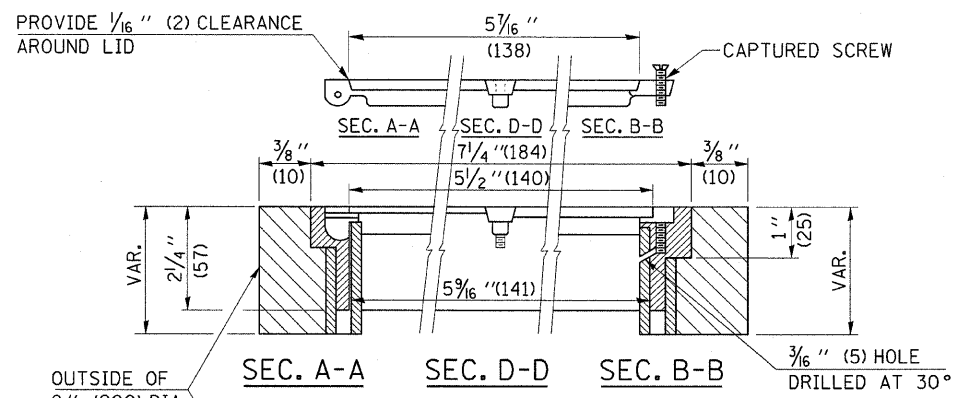
**LEGEND**

- ALUMINUM CASTING
- 5" (125) OR 6" (150) P.V.C. PIPE
- TWO-COMPONENT EPOXY

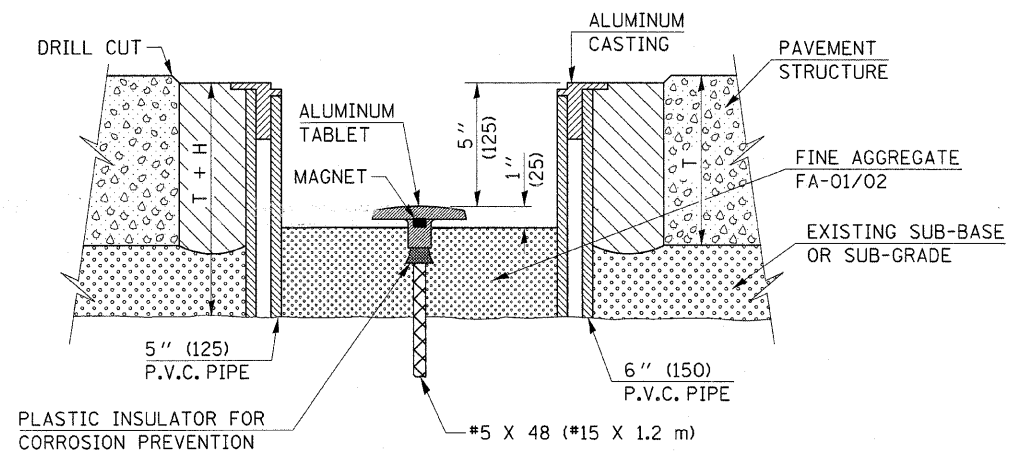
T = THICKNESS OF PAVEMENT STRUCTURE  
 H = THE THICKNESS OF THE SUB-BASE GRANULAR + 1" (25)



BILL OF MATERIAL	
ALUMINUM CASTING OF THE DIMENSIONS AND SPECIFICATIONS SHOWN OR OTHER SUBJECT TO ENGINEER'S APPROVAL OF SHOP DRAWINGS,	
4 EACH - 5/16" X 2" (M8 X 50) BOLTS WITH NUTS, EPOXY,	
5" OR 6" (125 mm OR 150 mm) DIAMETER P.V.C. PIPE, SCHEDULE 40 (WHEN REQUIRED).	



EXISTING SURVEY MARKER



PROPOSED SURVEY MARKER

NOT TO SCALE  
 Note: All dimensions are in INCHES (millimeters) unless otherwise shown.

• MACON & PIATT

FILE NAME =	USER NAME = swartzrw	DESIGNED -	REVISED - MAD 6-11
ca:\pw_work\pwsdot\swartzrw\d0156188\d774	22-shr-detail1.dgn	DRAWN -	REVISED -
PLOT SCALE = 50.0000' / 1"		CHECKED -	REVISED -
PLOT DATE = 8/16/2011		DATE -	REVISED -

STATE OF ILLINOIS  
 DEPARTMENT OF TRANSPORTATION

SURVEY MARKER VAULT

SCALE: NA SHEET NO. 1 OF 1 SHEETS STA. TO STA.

DISTRICT 7 DETAIL NO. Z0070202				
F.A.P. RTE.	SECTION	COUNTY	TOTAL SHEETS	SHEET NO.
741	(11,12)T		85	56
CONTRACT NO. 74422				
FED. ROAD DIST. NO. ILLINOIS FED. AID PROJECT				