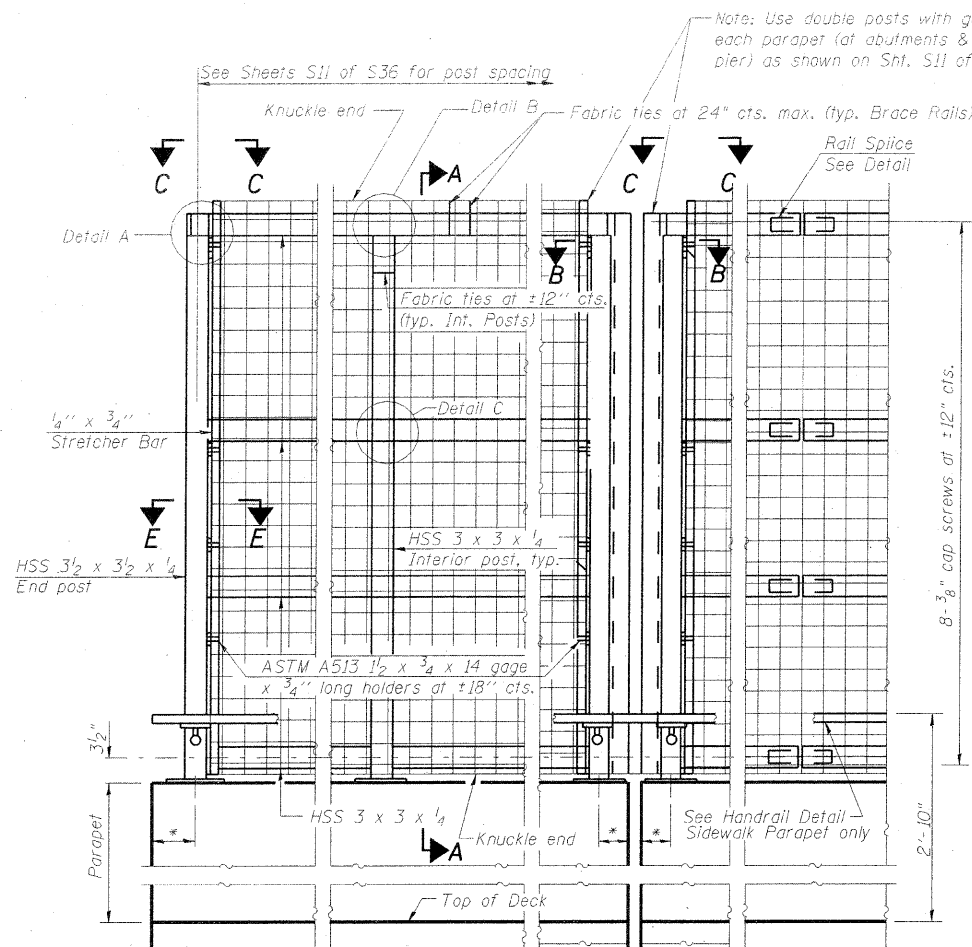


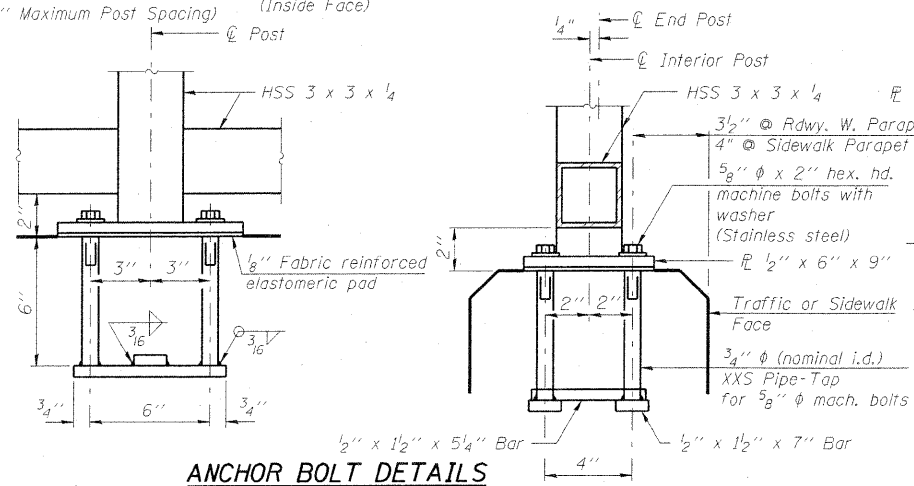
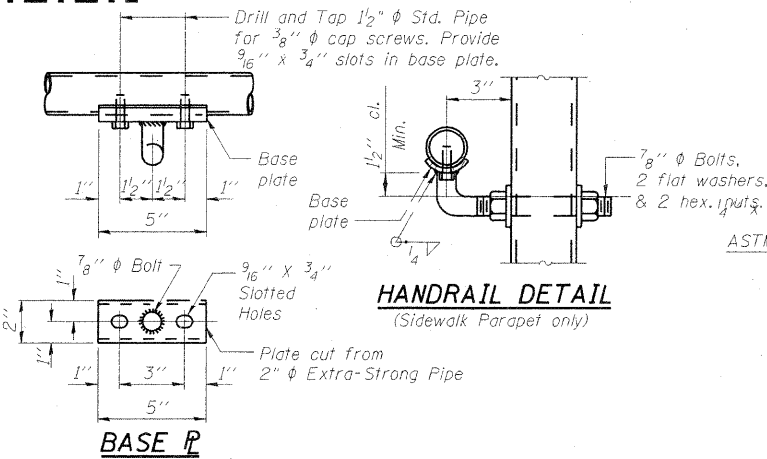
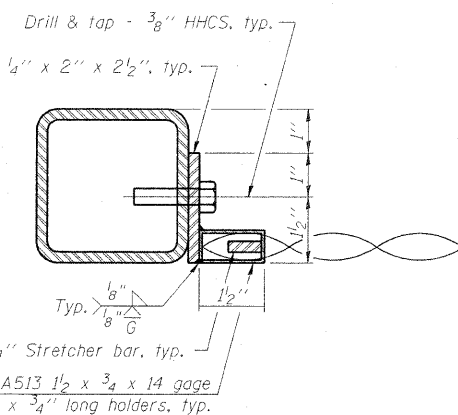
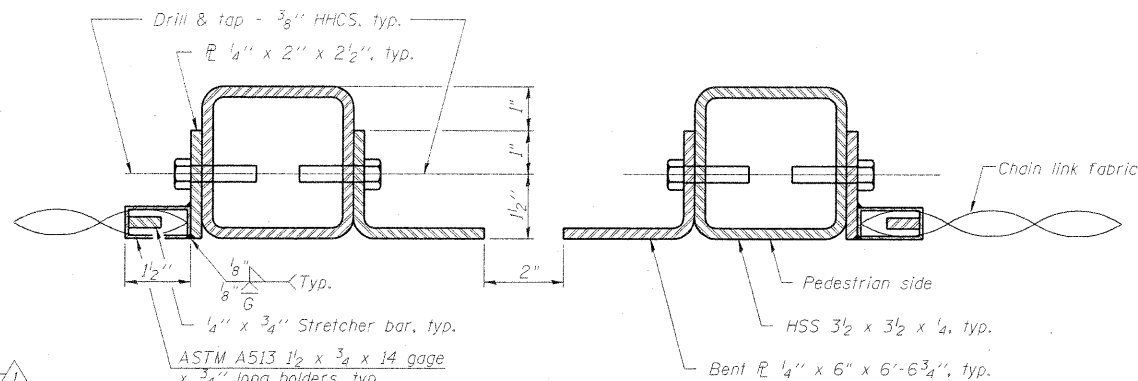
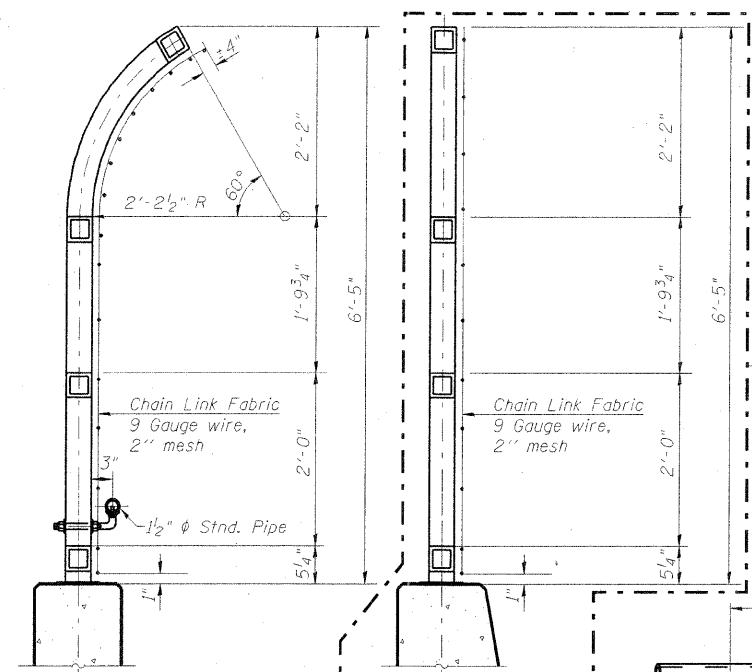
STATE OF ILLINOIS
DEPARTMENT OF TRANSPORTATION



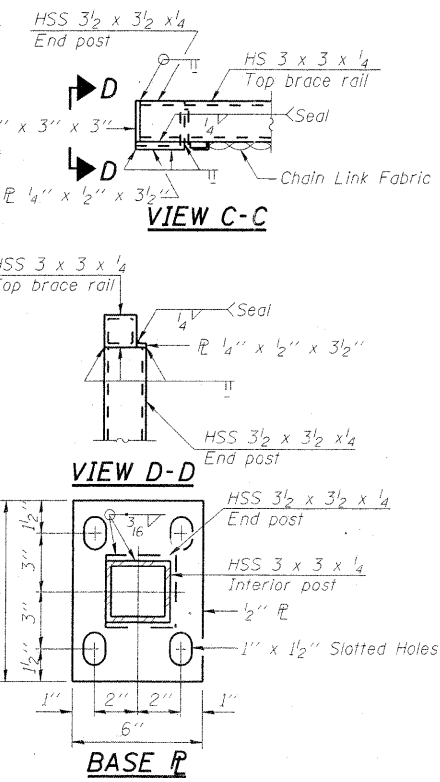
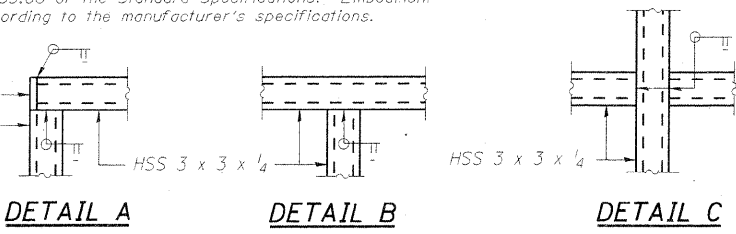
Note: Use double posts with gap at 4 locations each parapet (at abutments & 20' each side of pier) as shown on Sht. S11 of S36.

Variable - 12" Min. See Sht. S11 of S36 (10'-0" Maximum Post Spacing)

ELEVATION (Inside Face)



In lieu of the cast-in-place anchor device shown, the Contractor has the option of drilling and setting 3/8" anchor rods according to Article 509.06 of the Standard Specifications. Embedment shall be according to the manufacturer's specifications.



BILL OF MATERIAL

Location	Item	Unit	Quantity
Roadway West Parapet	Bridge Fence Railing	Foot	354.2
Sidewalk Parapet	Bridge Fence Railing (Sidewalk)	Foot	353.4

BRIDGE FENCE RAILING DETAILS - I
STRUCTURE NO. 082-0326

SHEET NO.	F.A.I. RTE.	SECTION	COUNTY	TOTAL SHEETS	SHEET NO.
S18	64	82-1-3HB, 82-2N, 82-1-12RS	ST. CLAIR	352	220
S36 SHEETS			F.A.U. 9166 / F.A.U. 9180	CONTRACT NO. 76C51	
FED. ROAD DIST. NO.		ILLINOIS FED. AID PROJECT			

AECOM
303 East Wacker Drive, Suite 600
Chicago, Illinois 60601
Ph: 312.938.0300
Fax: 312.373.6806
www.aecom.com

DESIGNED - P.J.L.
CHECKED - D.D.B.
DRAWN - BRD
CHECKED - D.D.B.

03/31/2011