
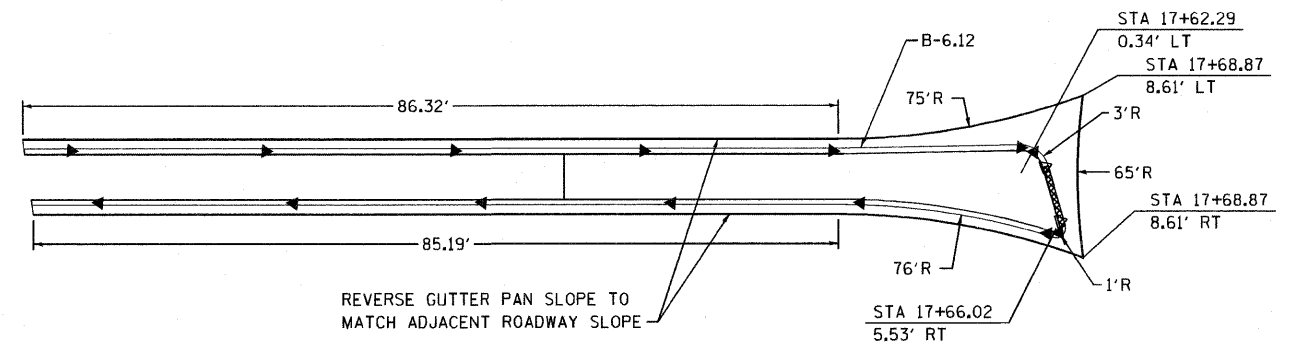
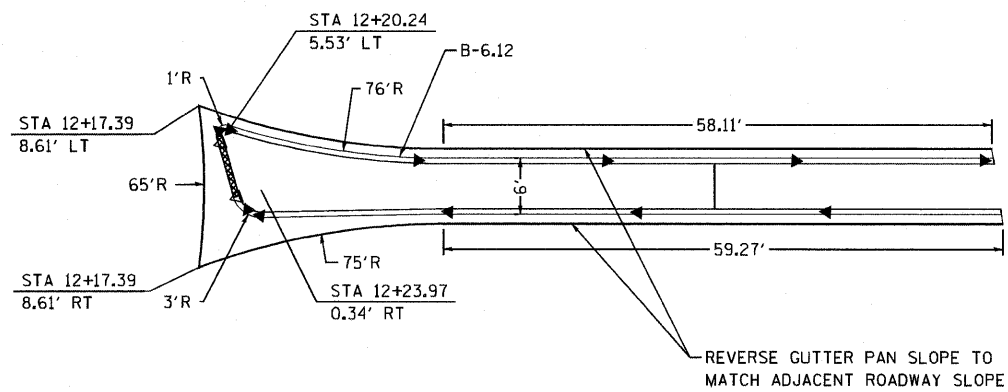
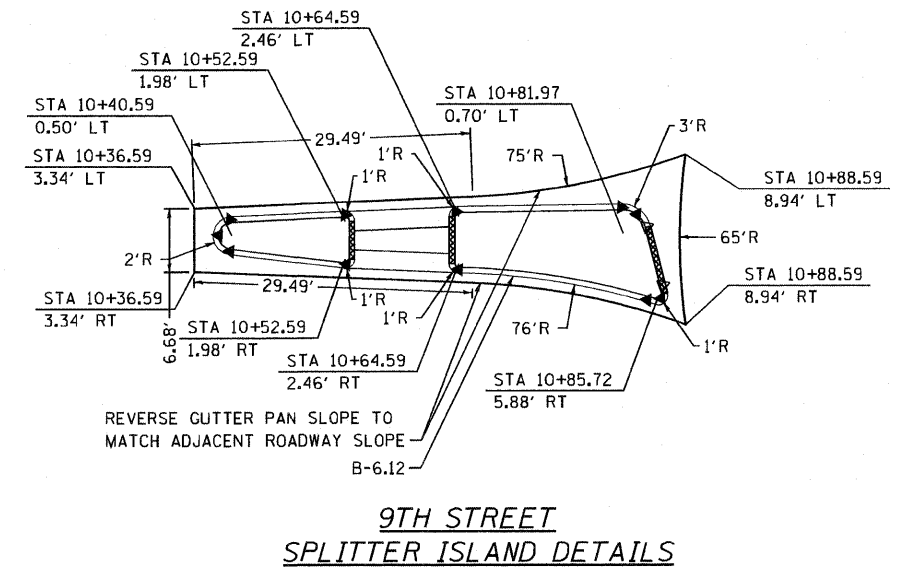


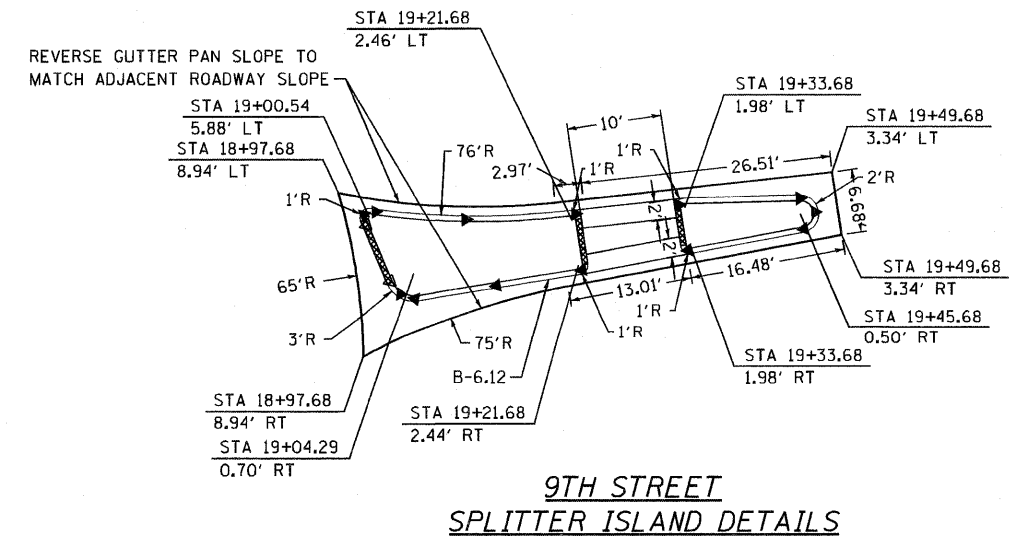
NOTES:

- ALL RADII DIMENSIONED TO FACE OF CURB, UNLESS OTHERWISE NOTED.
- ALL CURB AND GUTTER AT THE SPLITTER ISLANDS ARE COMBINATION CONCRETE CURB GUTTER, B6.12 OR B6.24.
- PRISMATIC REFLECTORS SHALL BE MONO-DIRECTIONAL AND POSITIONED SO THAT THE REFLECTIVE FACE IS FACING THE APPROACHING TRAFFIC.
- PRISMATIC REFLECTORS SHALL BE SECURED IN PLACE WITH AN EPOXY ADHESIVE.
- PRISMATIC REFLECTORS SHALL BE CRYSTAL OR AMBER IN COLOR.
- CURB FACE AND TOP SHALL BE PAINTED IN ACCORDANCE WITH SECTION 780.06 OF THE "STANDARD SPECIFICATIONS FOR ROAD AND BRIDGE CONSTRUCTION." ALL CURBS SHALL BE PAINTED YELLOW UNLESS NOTED.
 WHITE CURB FACE AND TOPS
- SEE PAVEMENT MARKING PLANS FOR PAVEMENT MARKINGS IN THE VICINITY OF THE SPLITTER ISLANDS.

- ▷ ONE-WAY CRYSTAL PRISMATIC CURB REFLECTOR
- ▶ ONE-WAY AMBER PRISMATIC CURB REFLECTOR



**9TH STREET
SPLITTER ISLAND DETAILS**



FILE NAME = DBTRI-76C51-shr-intersect-01-11.dgn USER NAME = jlt MODEL NAME = DBTRI-76C51-shr-intersect-08 PLOT SCALE = 1:20 PLOT DATE = 6/8/2011	DESIGNED - LDT DRAWN - MBB CHECKED - GEB DATE - 03/31/11	REVISED - REVISED - REVISED - REVISED -	STATE OF ILLINOIS DEPARTMENT OF TRANSPORTATION	SPLITTER ISLAND DETAIL PLAN	F.A.U. RTE. • 82-1-3HB, 82-2N, 82-1-12RS • FAI 64/9166/9180 FED. ROAD DIST. NO. ILLINOIS	SECTION COUNTY ST. CLAIR ILLINOIS	TOTAL SHEETS 352 SHEET NO. 130 CONTRACT NO. 76C51 FED. AID PROJECT
SCALE: 1"=10' SHEET NO. 8 OF 11 SHEETS STA. ----- TO STA. -----							