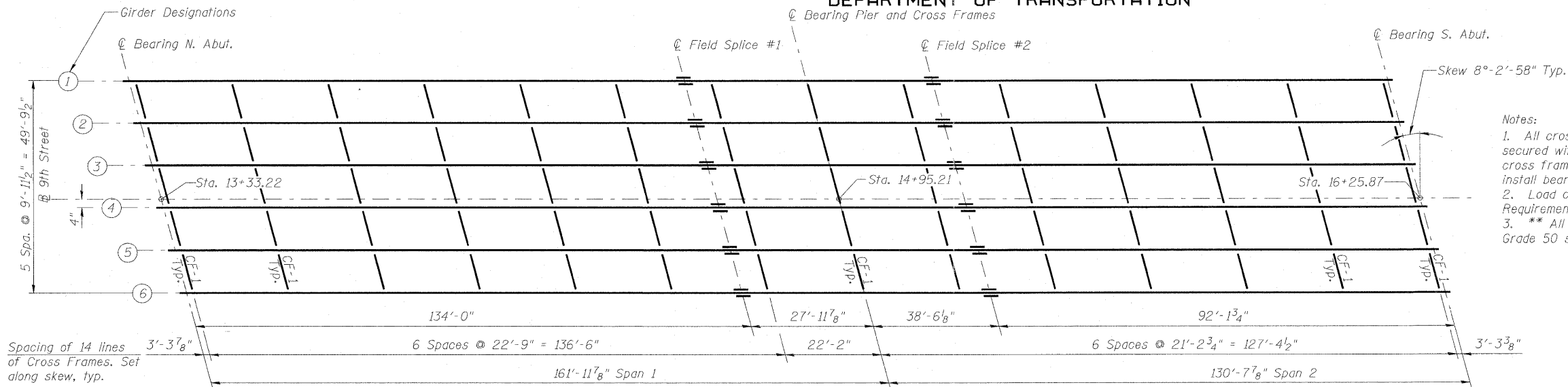
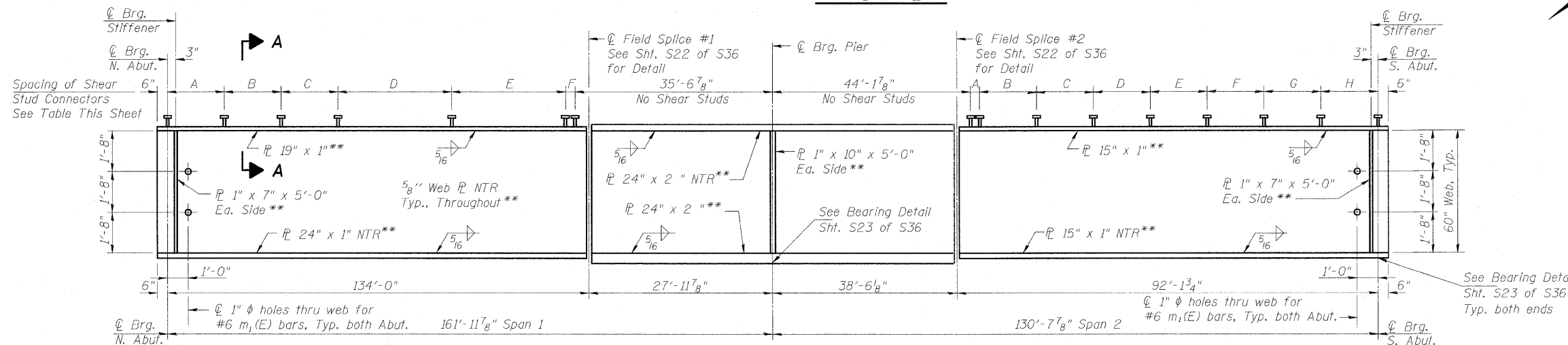


STATE OF ILLINOIS
DEPARTMENT OF TRANSPORTATION

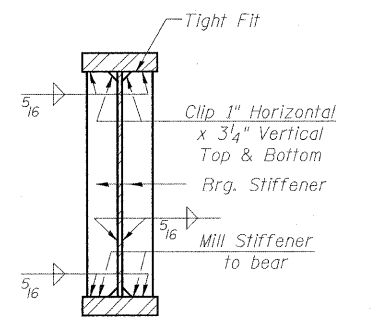


- Notes:
1. All cross frames or diaphragms shall be installed as steel is erected and secured with erection pins and bolts except as otherwise noted. Individual cross frames or diaphragms at supports may be temporarily disconnected to install bearing anchor rods.
 2. Load carrying components designated "NTR" shall conform to the Supplemental Requirements for Notch Toughness, Zone 2.
 3. ** All girder webs, flanges and bearing stiffeners shall be AASHTO M270 Grade 50 steel.

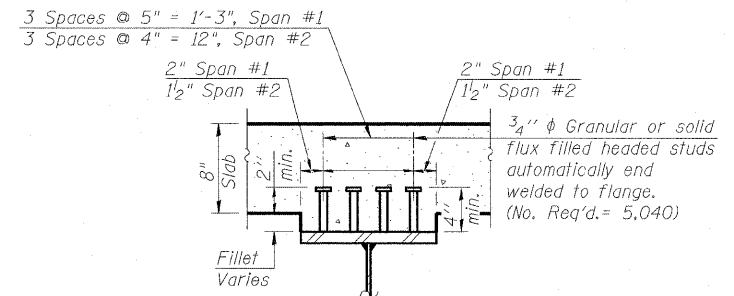
FRAMING PLAN



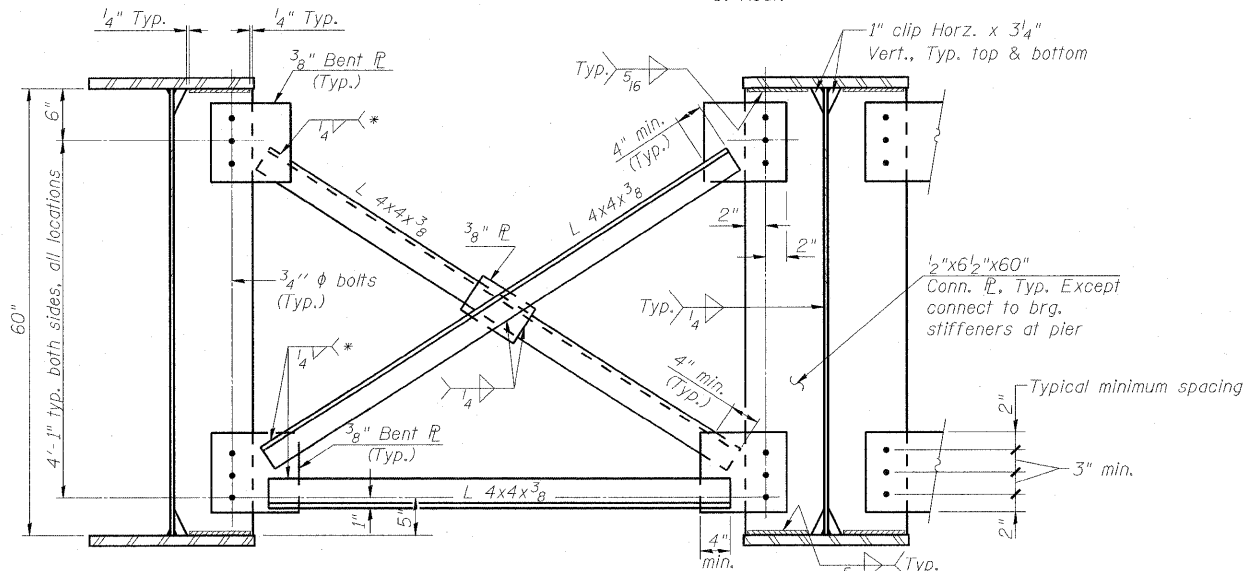
GIRDER ELEVATION



SECTION AT PIER & ABUTMENTS



SECTION A-A



TYPICAL INTERIOR CROSS FRAME - CF-1

- Notes:
- * Fillet weld angles along 3 sides on one face of gusset plate.
 - Detail 1/2" φ holes for all 3/4" φ bolts.
 - Two hardened washers required for each set of oversized holes.
 - Set Cross Frames along skew.

SPAN #1				SPAN #2			
Space	# of Spaces	Length	Total	Space	# of Spaces	Length	Total
A	9 spaces at 11 inches	= 8'-3"		A	4 spaces at 6 inches	= 2'-0"	
B	6 spaces at 12 inches	= 6'-0"		B	38 spaces at 10 inches	= 31'-8"	
C	10 spaces at 13 inches	= 10'-10"		C	13 spaces at 15 inches	= 16'-3"	
D	48 spaces at 14 inches	= 56'-0"		D	10 spaces at 14 inches	= 11'-8"	
E	40 spaces at 13 inches	= 43'-4"		E	6 spaces at 13 inches	= 6'-6"	
F	4 spaces at 6 inches	= 2'-0"		F	7 spaces at 12 inches	= 7'-0"	
Totals: 117 Spaces, 118 Rows				Totals: 91 Spaces, 92 Rows			

SHEAR STUD SPACING (NORTH - TO - SOUTH)

STRUCTURAL STEEL
STRUCTURE NO. 082-0326

AECOM
303 East Wacker Drive, Suite 600
Chicago, Illinois 60601
Ph: 312.938.0300
Fax: 312.373.6806
www.aecom.com

DESIGNED	- P.J.L.
CHECKED	- D.D.B.
DRAWN	- B.R.D.
CHECKED	- D.D.B.

03/31/2011

SHEET NO. S21	F.A.I. RTE.	SECTION	COUNTY	TOTAL SHEETS	SHEET NO.
	64	82-1-3HB, 82-2N, 82-1-12RS	ST. CLAIR	352	223
S36 SHEETS	F.A.U. 9166 / F.A.U. 9180		CONTRACT NO. 76C51		
	FED. ROAD DIST. NO.	ILLINOIS FED. AID PROJECT			