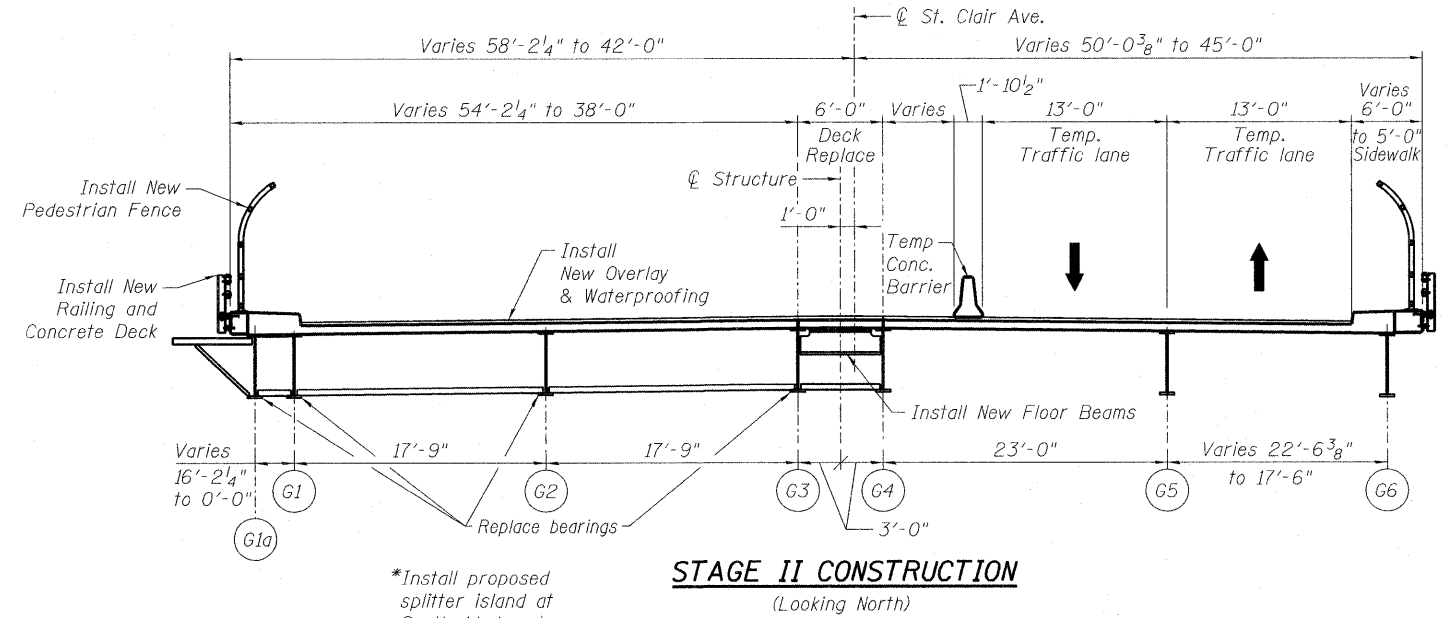
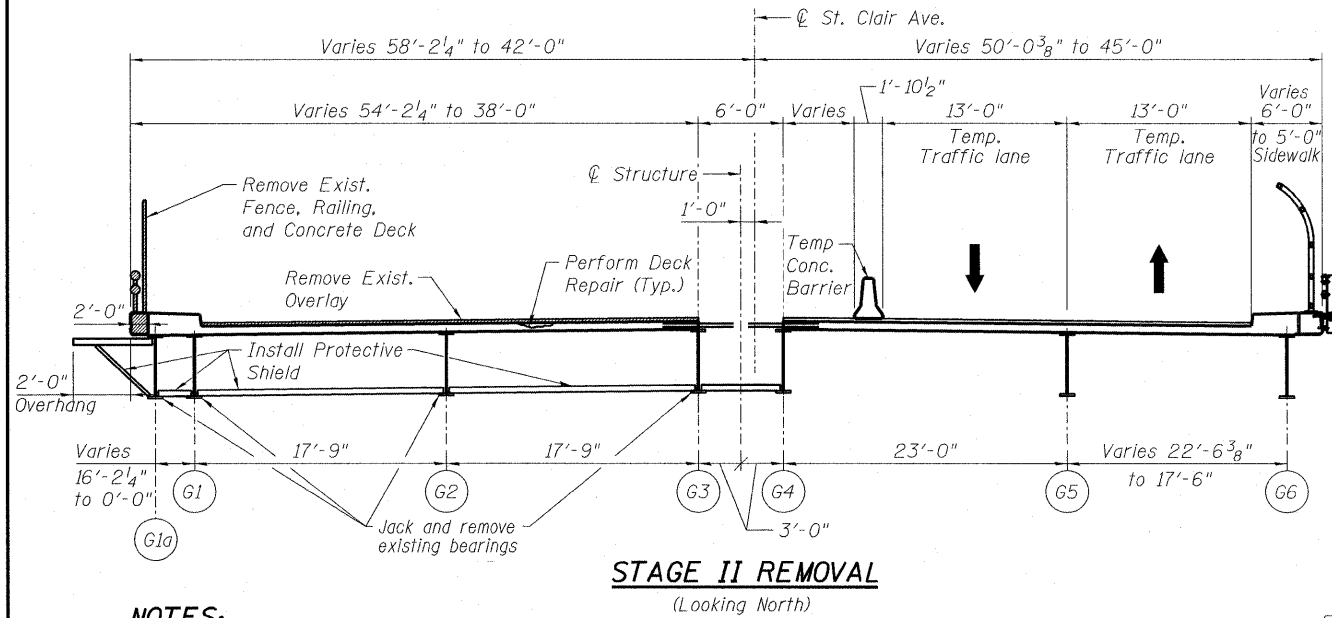
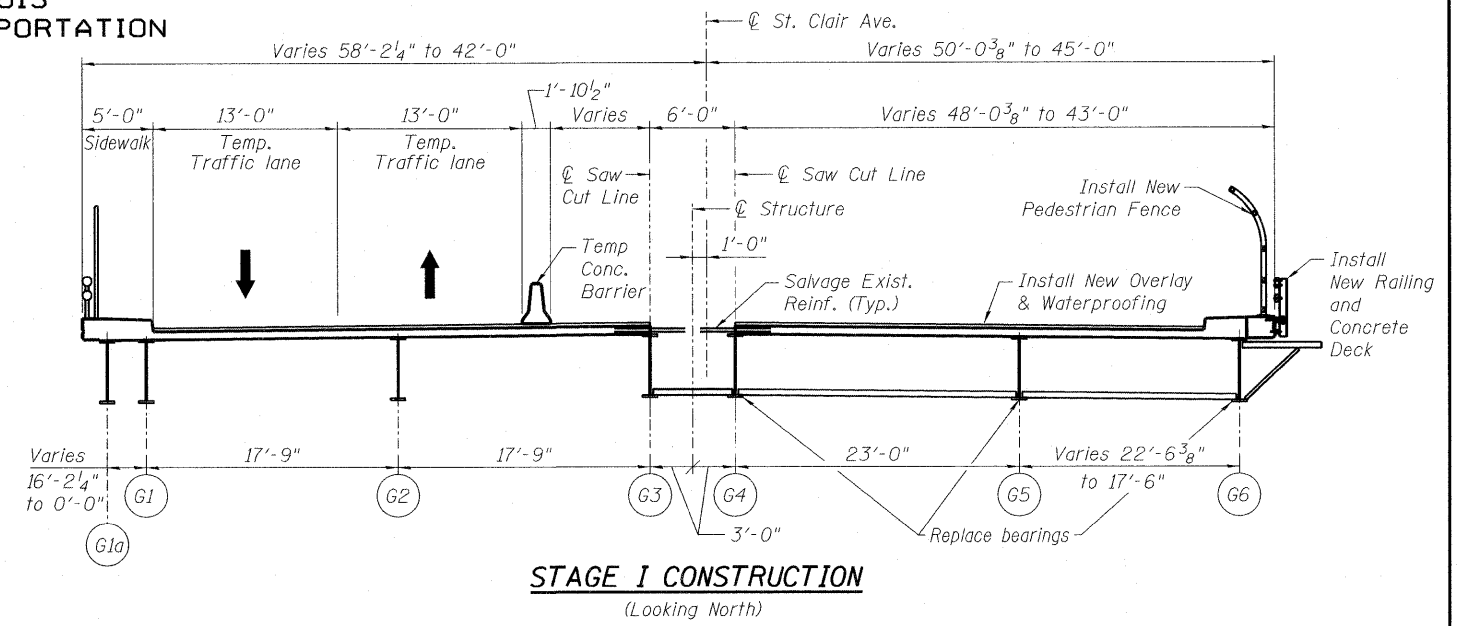
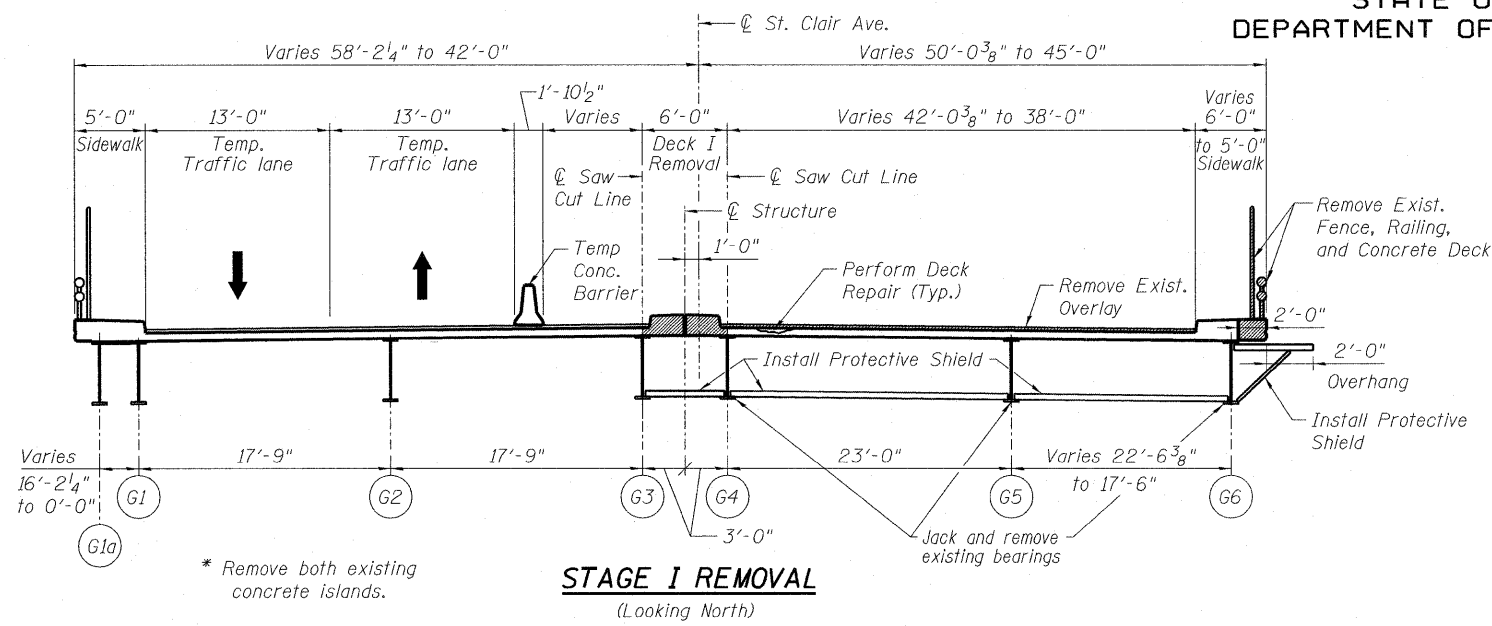


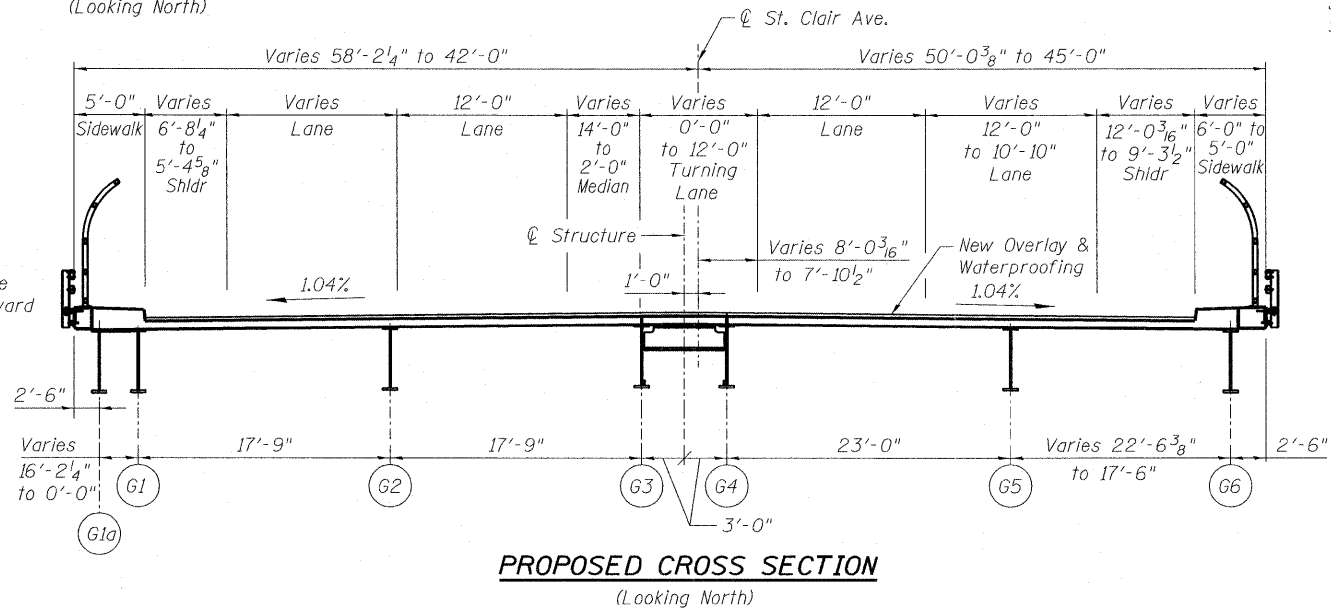
STATE OF ILLINOIS  
DEPARTMENT OF TRANSPORTATION



**NOTES:**

1. For Temporary Concrete Barrier details see Std. 704001 and sheet S2.
2. Contractor shall not pour deck in Stage II until all bearings have been replaced and floor beams are installed.
3. See sheets S6 thru S10 for pedestrian fence and traffic railing details.
4. Protective Shield shall extend from face to face of abutment bearing seat and shall extend outward as shown at each side of the deck edge.

DESIGNED	DEV
CHECKED	EJO
DRAWN	MRK
CHECKED	EJO



**BILL OF MATERIAL**

Item	Unit	Quantity
Protective Shield	Sq. Yd.	1,801
Waterproofing Membrane System	Sq. Yd.	1,649
Hot-Mix Asphalt Surface Removal (Deck)	Sq. Yd.	1,552
Hot-Mix Asphalt Surface Course, Mix "D", N70	Ton	139

**LEGEND**

Area for removal

**STAGE CONSTRUCTION**  
**STRUCTURE NO. 082-0099**

SHEET NO.	F.A.I. RTE.	SECTION	COUNTY	TOTAL SHEETS	SHEET NO.
S3	64	82-1-3HB, 82-2N, 82-1-12RS	ST. CLAIR	352	241
S20 SHEETS	F.A.U. 9166 / F.A.U. 9180		CONTRACT NO. 76C51		
FED. ROAD DIST. NO.		ILLINOIS	FED. AID PROJECT		