

FOR INFORMATION ONLY

ROUTE NO.	SECTION	COUNTY	TOTAL SHEETS	SHEET NO.
F.A.I-64	82-1HB	ST. CLAIR	110	65
FED. ROAD DIV. NO. 4		ILLINOIS	PROJECT	

NOTES:

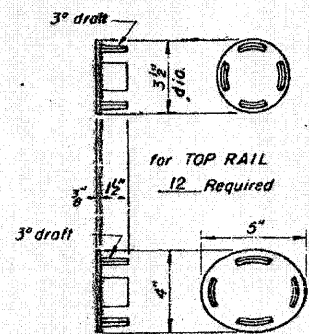
All Posts shall be normal to parapet.  
 All Posts shall be malleable cast iron conforming to ASTM A-47, Grade 35018, galvanized to ASTM A-152.  
 All Rail Tubing shall conform to applicable requirements of ASTM A-53, Grade B, (pipe or tube) galvanized to ASTM A-120.

Provide 1/8" and 2/16" galvanized sheet steel shims for 25% of the Posts. Rail element shall be parallel to Grade - high spots shall be ground and low spots shimmed.  
 If any of the galvanizing coat is damaged or removed during erection, the affected area shall be painted with one coat of zinc paint in accordance with Military Specification MIL-P-26915 Type 1, air-dry cure.

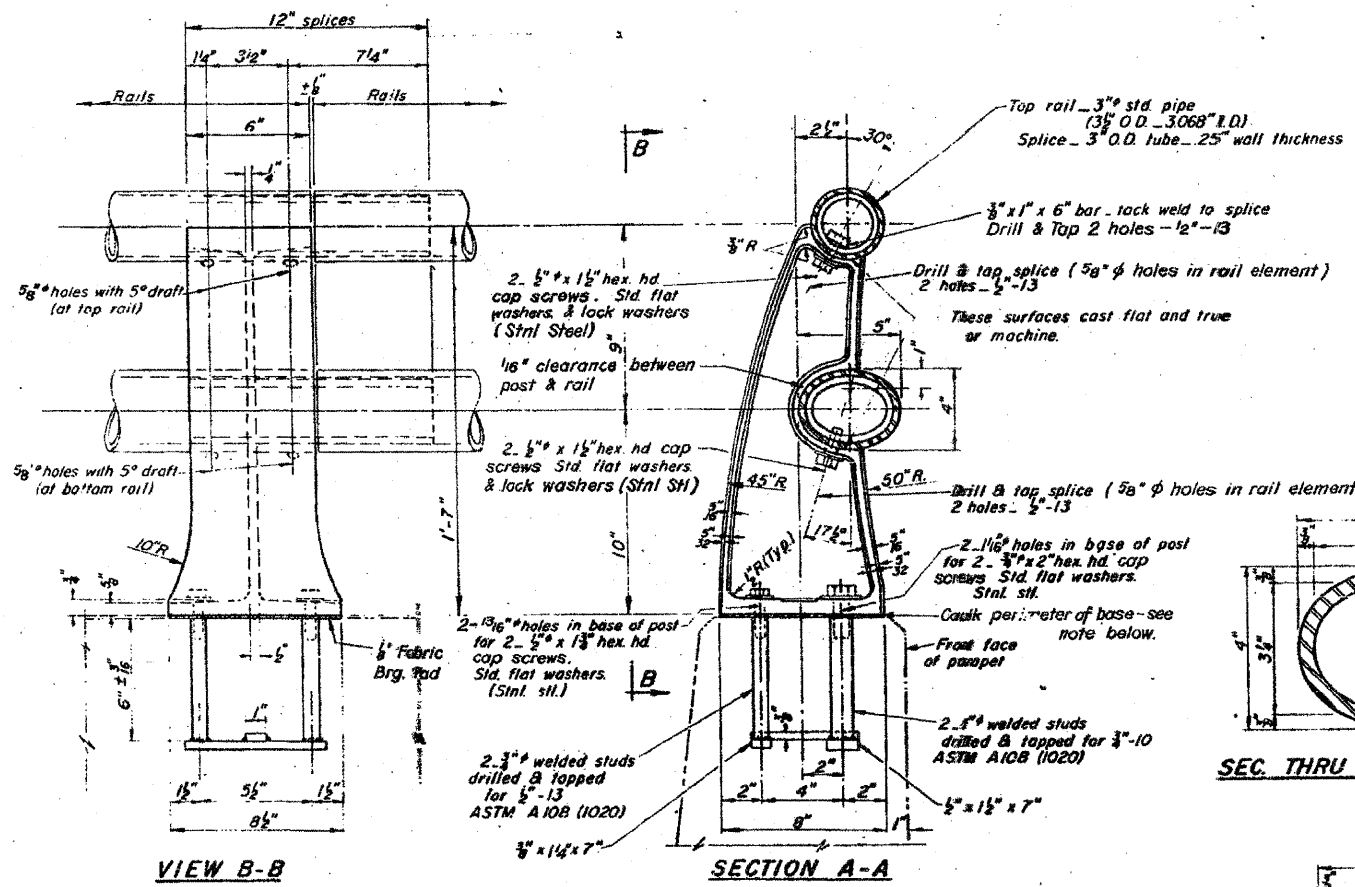
METHOD OF MEASUREMENT: Steel railing shall be measured in lineal feet. The length paid for shall be the overall length along the top longitudinal railing member through all posts and gaps.

BASIS OF PAYMENT: Steel railing will be paid for at the contract unit price per lineal foot for STEEL RAILING TYPE M, measured as specified, in accordance with Section 508 of the Standard Specifications, except as noted.

Cost of rail splice and caps and hardware to be incidental to item STEEL RAILING TYPE M.

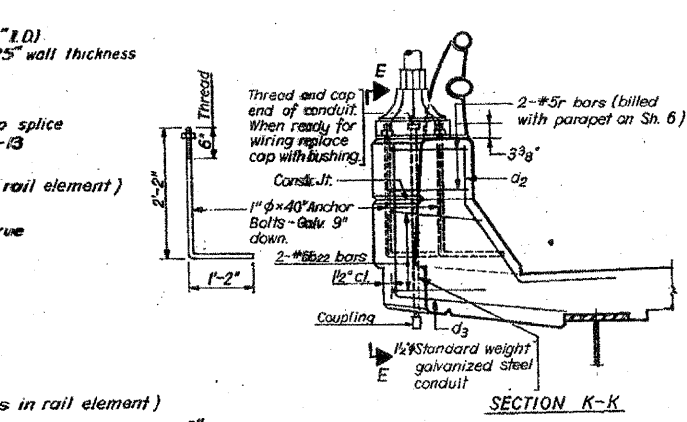


CAST END CAPS  
 DRIVE FIT TYPE  
 for BOTTOM RAIL  
 12 Required

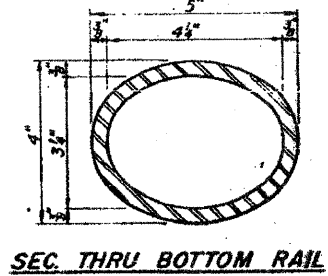


VIEW B-B

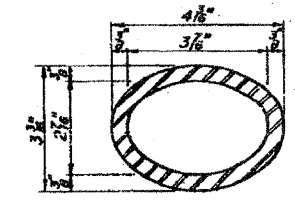
RAIL POST DETAILS



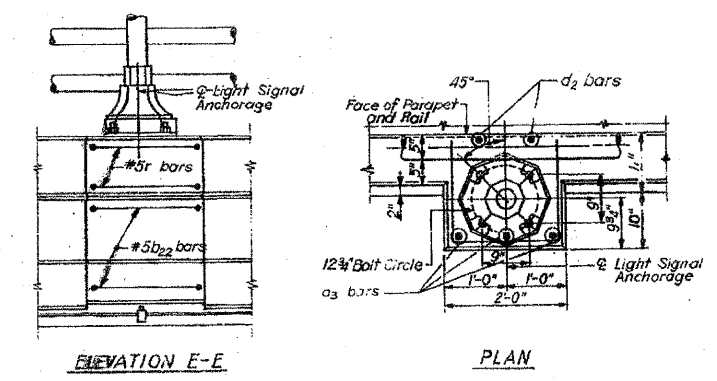
SECTION K-K



SEC. THRU BOTTOM RAIL



SEC. THRU BOTTOM SPLICE



ELEVATION E-E

PLAN

LIGHT SIGNAL ANCHORAGE DETAILS

(Cost incidental to Bridge Structure)  
 For location see Sh. 3

\*BILL of MATERIAL

Item	Unit	Quantity
STEEL RAILING TYPE M	Lin. Ft.	487

\* Material - Railing

DESIGNED BY: H.N.  
 DRAWN BY: B.B.  
 CHECKED BY: V.D.

Note: Seal base of post to parapet with two component non-staining gray sealing compound with polysulfide liquid polymers - gun grade with primer.

Note: Splice must be sliding fit in Rail Section.