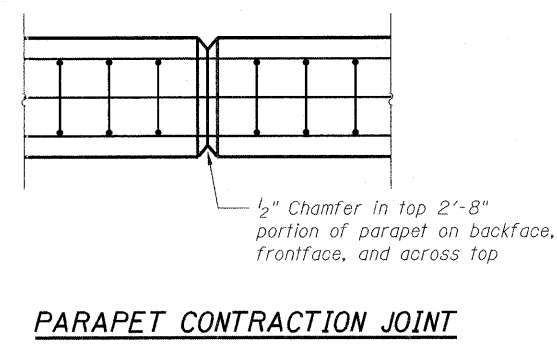
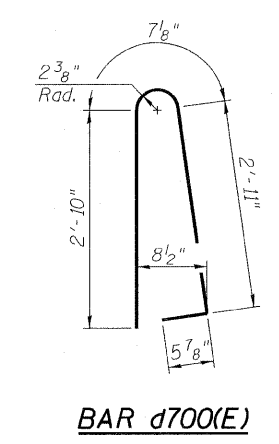


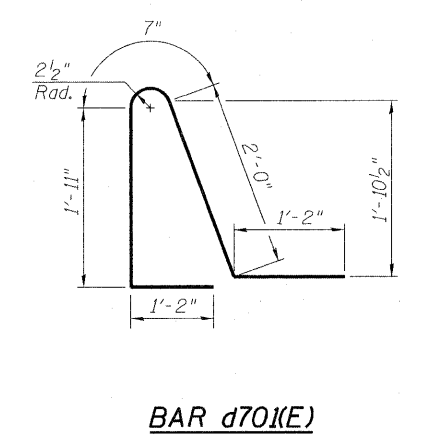
PARAPET EXPANSION JOINT DETAILS



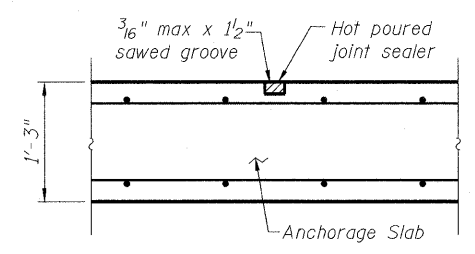
PARAPET CONTRACTION JOINT



BAR d700(E)

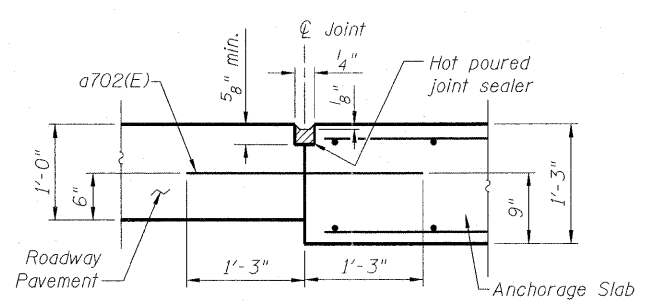


BAR d701(E)



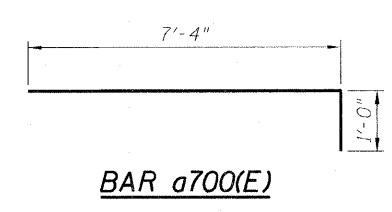
TRANSVERSE CONTRACTION JOINT

See Article 420.05 & 420.12 of the Standard Specifications

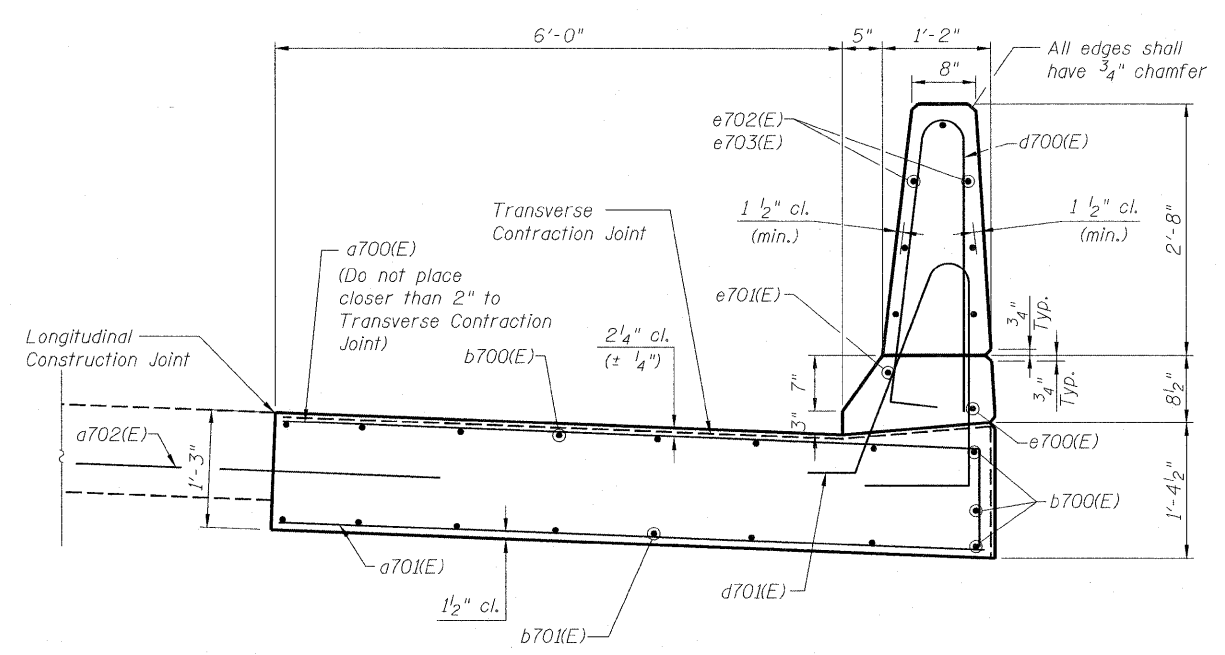


LONGITUDINAL CONSTRUCTION JOINT

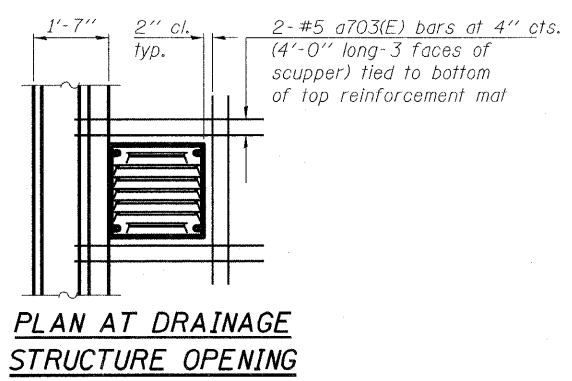
See Article 420.05 & 420.12 of the Standard Specifications



BAR a700(E)



SECTION A-A



PLAN AT DRAINAGE STRUCTURE OPENING

Note:
Cut longitudinal reinforcement to clear drainage scuppers.

BILL OF MATERIAL

Bar	No.	Size	Length	Shape
a700(E)	197	#7	8'-4"	┌
a701(E)	197	#7	7'-4"	└
a702(E)	74	#6	2'-6"	—
a703(E)	6	#5	4'-0"	—
b700(E)	72	#6	27'-1"	—
b701(E)	45	#6	31'-10"	—
d700(E)	155	#5	6'-10"	┌
d701(E)	155	#5	6'-10"	└
e700(E)	6	#4	25'-3"	—
e701(E)	5	#8	32'-6"	—
e702(E)	42	#4	21'-3"	—
e703(E)	7	#4	20'-0"	—
Reinforcement Bars, Epoxy Coated		Pound	15,130	
Concrete Superstructure		Cu. Yd.	72	
Protective Coat		Sq. Yd.	89	

FILE NAME = D81r1-76C75-sht-MomentSlabDetails-02.dgn	USER NAME = Bhatta	DESIGNED DEV	REVISIONS	STATE OF ILLINOIS DEPARTMENT OF TRANSPORTATION	PARAPET & ANCHORAGE SLAB DETAILS		F.A. RTE.	SECTION	COUNTY	TOTAL SHEETS	SHEET NO.
PLOT SCALE = 2.0000' / in.	DRAWN JHR	CHECKED ATB	DATE 3-31-11		SCALE:	SHEET NO. S-2 OF S-2 SHEETS	STA. 18+00.00 TO STA. 19+51.32	82-1-3HB, 82-2N, 82-1-12RS	ST. CLAIR	328	303B
PLOT DATE = MAR. 31, 2011	DATE 3-31-11							9166/9180/9213/9214	CONTRACT NO. 76C51		
								FED. ROAD DIST. NO.	ILLINOIS FED. AID PROJECT		

P:\P60046609\900.CAD\901.Dr-awings\76C00.Master-Consolidated\Structural\76C51.MomentSlab\Sheet\81-76C75-sht-MomentSlabDetails-02.dgn