

EAST CURB LINE

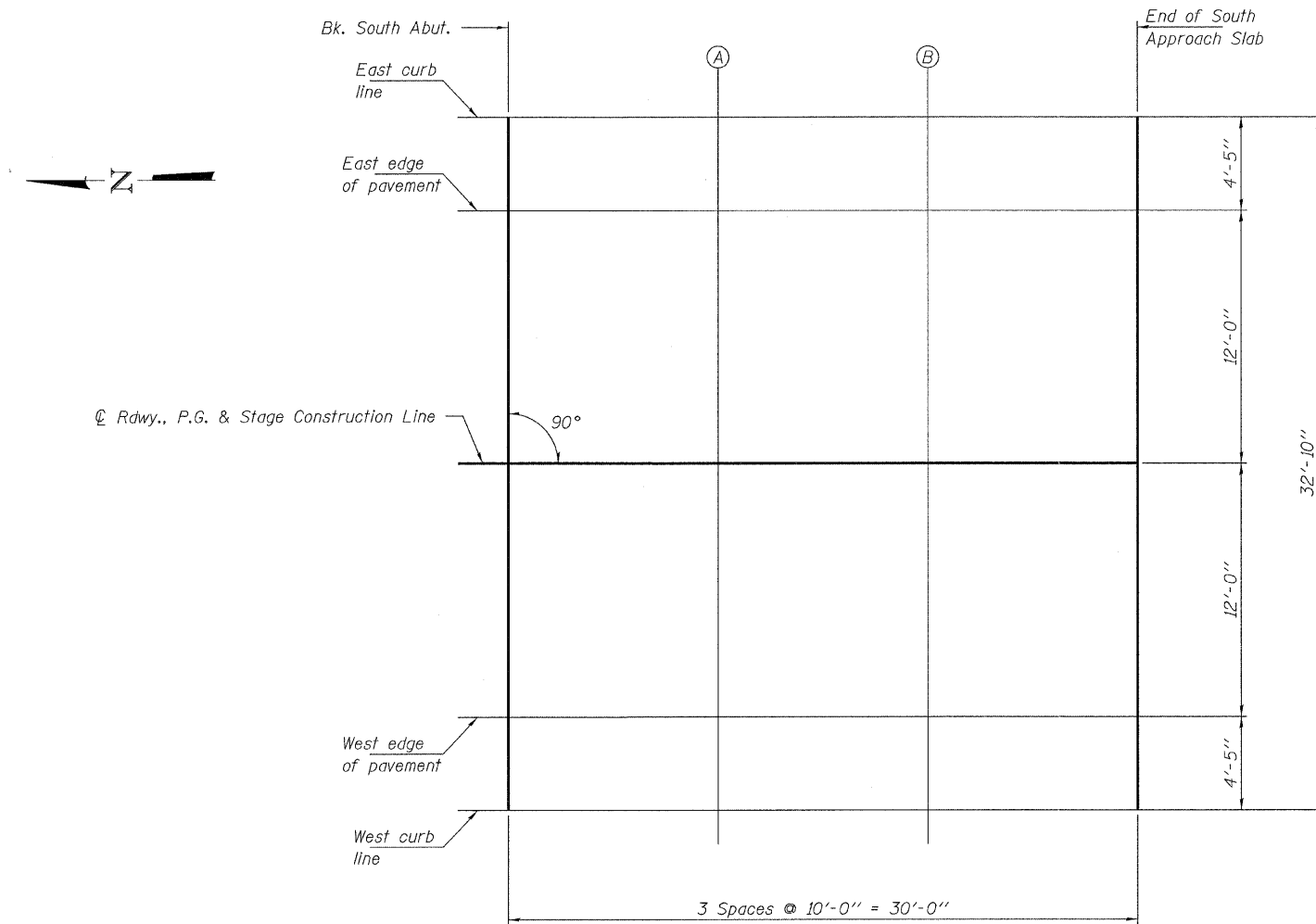
Location	Station	Offset	Theoretical Grade Elevations
Bk. S. Abutment	655+41.50	-16.42	384.67
A	655+51.50	-16.42	384.64
B	655+61.50	-16.42	384.62
End of S. Approach Slab	655+71.50	-16.42	384.58

EAST EDGE OF PAVEMENT

Location	Station	Offset	Theoretical Grade Elevations
Bk. S. Abutment	655+41.50	-12.00	384.76
A	655+51.50	-12.00	384.74
B	655+61.50	-12.00	384.71
End of S. Approach Slab	655+71.50	-12.00	384.68

RDWY., P.G. & STAGE CONSTRUCTION LINE

Location	Station	Offset	Theoretical Grade Elevations
Bk. S. Abutment	655+41.50	0.00	384.95
A	655+51.50	0.00	384.92
B	655+61.50	0.00	384.89
End of S. Approach Slab	655+71.50	0.00	384.86



SOUTH APPROACH SLAB - PLAN

WEST EDGE OF PAVEMENT

Location	Station	Offset	Theoretical Grade Elevations
Bk. S. Abutment	655+41.50	12.00	384.76
A	655+51.50	12.00	384.74
B	655+61.50	12.00	384.71
End of S. Approach Slab	655+71.50	12.00	384.68

WEST CURB LINE

Location	Station	Offset	Theoretical Grade Elevations
Bk. S. Abutment	655+41.50	16.42	384.67
A	655+51.50	16.42	384.64
B	655+61.50	16.42	384.62
End of S. Approach Slab	655+71.50	16.42	384.58