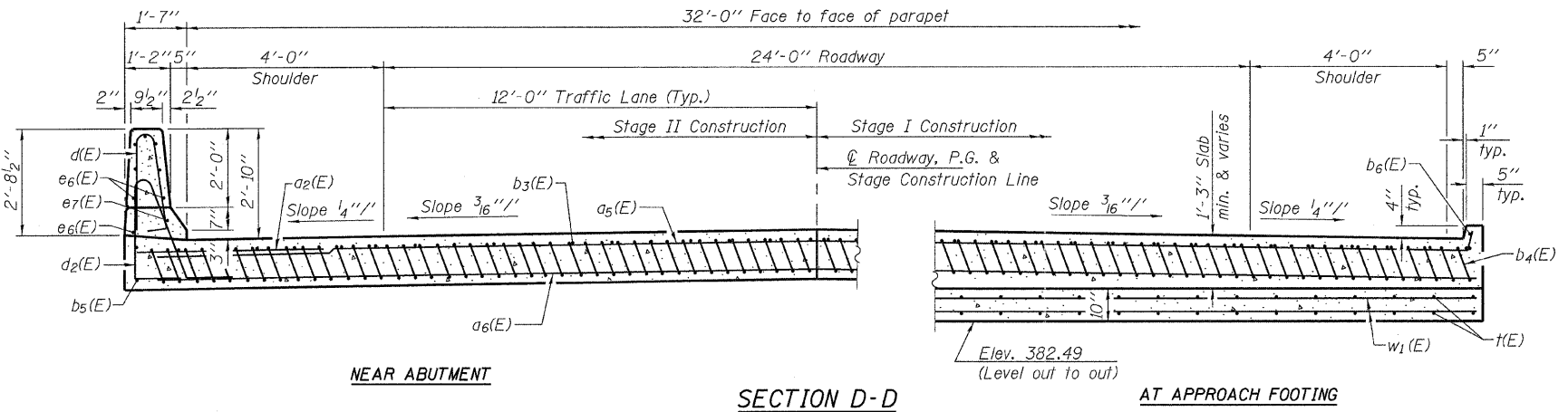
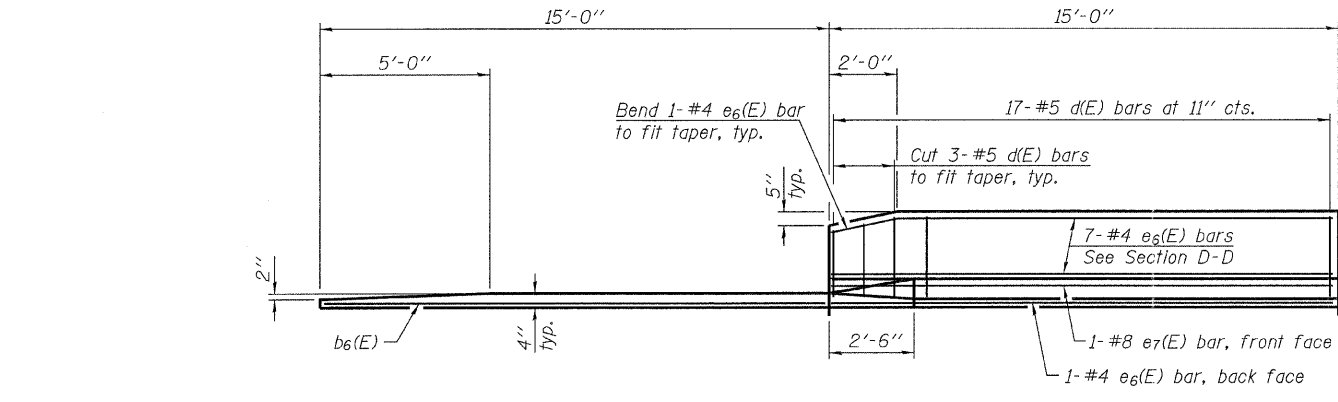


SECTION C-C

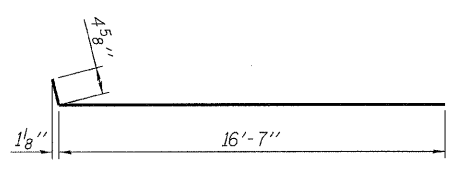


SECTION D-D

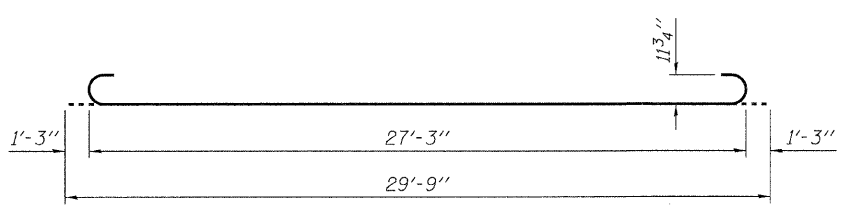
(See Plan for dimensions not shown)



VIEW E-E

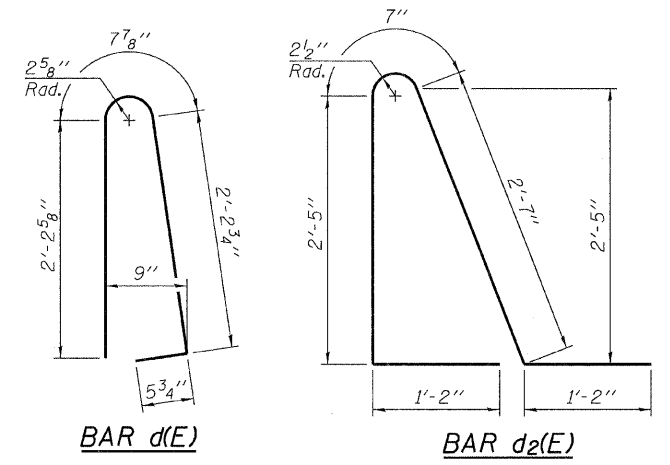


BAR a5(E)



BAR b4(E)

Notes:
 See sheet 15 of 26 for Detail A and View B-B.
 Approach slab and parapet concrete shall be paid for as Concrete Superstructure.
 Approach footing concrete shall be paid for as Concrete Structures.
 Reinforcement shall be paid for as Reinforcement Bars, Epoxy Coated.
 For v(E) bar details, see sheet 12 of 26.
 The approach footing maximum applied service bearing pressure (Qmax) = 2.0 ksf.
 For bar splicer details, see sheet 22 of 26.
 Cost of excavation for approach footing included with Concrete Structures.
 For Porous Granular Embankment (Special) and drainage treatment details, see sheet 2 of 26.
 For additional parapet details, see sheet 11 of 26.



BAR d(E)

BAR d2(E)

* Tilt #9 b4(E) bars as required to maintain clearance.
 *** Cost included with Concrete Superstructure.

**SOUTH APPROACH
 BILL OF MATERIAL**

Bar	No.	Size	Length	Shape
a2(E)	24	#6	6'-6"	—
a5(E)	50	#4	17'-0"	—
a6(E)	92	#5	16'-7"	—
b3(E)	28	#4	29'-8"	—
b4(E)	80	#9	29'-9"	—
b5(E)	2	#4	14'-8"	—
b6(E)	2	#4	14'-4"	—
d(E)	34	#5	5'-7"	—
d2(E)	34	#5	7'-11"	—
e6(E)	16	#4	14'-8"	—
e7(E)	2	#8	14'-8"	—
t(E)	72	#4	9'-8"	—
w1(E)	80	#5	16'-7"	—
Concrete Structures			Cu. Yd.	10.4
Concrete Superstructure			Cu. Yd.	53.0
Reinforcement Bars, Epoxy Coated			Pound	13,640