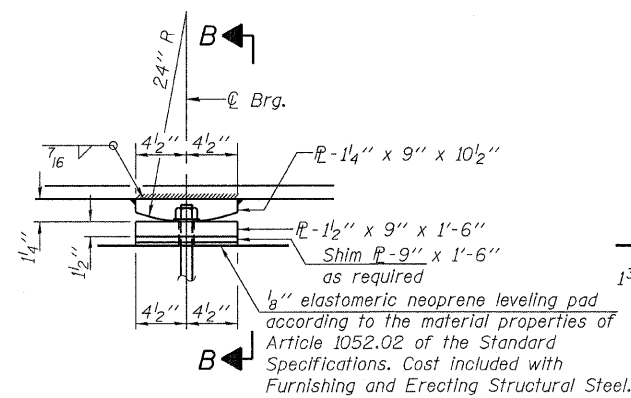


1/8'' elastomeric neoprene leveling pad according to the material properties of Article 1052.02 of the Standard Specifications. Cost included with Furnishing and Erecting Structural Steel.

ELEVATION

FIXED BEARING AT ABUTMENT
(12 required)

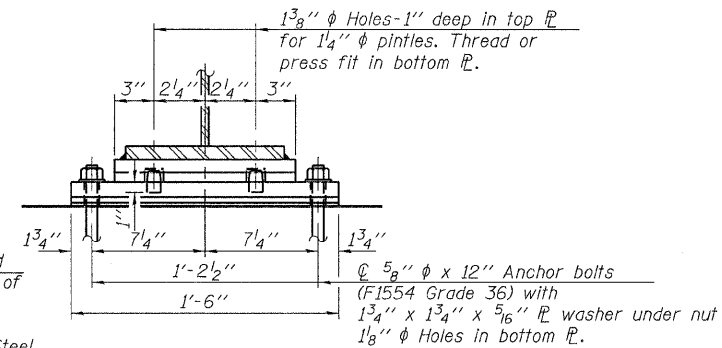
SECTION A-A



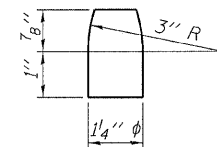
1/8'' elastomeric neoprene leveling pad according to the material properties of Article 1052.02 of the Standard Specifications. Cost included with Furnishing and Erecting Structural Steel.

ELEVATION

FIXED BEARING AT PIER
(12 required)



SECTION B-B



PINTLE

Notes:

Two 1/8 in. adjusting shims shall be provided for each bearing in addition to all other plates or shims and placed as shown on bearing details.

Anchor bolts shall be ASTM F1554 all-thread (or an Engineer-approved alternate material) of the grade(s) and diameter(s) specified. ASTM A307 Grade C anchor bolts may be used in lieu of ASTM F1554 Grade 36 (Fy=36ksi). The corresponding specified grade of AASHTO M314 anchor bolts may be used in lieu of ASTM F1554.

Anchor bolts at fixed bearings may be either cast in place or installed in holes drilled after the supported member is in place.

The anchor bolt sizes and grades shown constitute a calculated seismic structural fuse. Substitution of higher diameter and/or grade bolts will not be allowed.

All structural steel for the fixed bearings including plate material and pintles shall be AASHTO M270 Grade 50 except shim plates.

BILL OF MATERIAL

Item	Unit	Total
Anchor Bolts, 5/8"	Each	24
Anchor Bolts, 1"	Each	24

FILE NAME = 090148-sht-bearing.dgn	USER NAME =	DESIGNED - A.S.L.	REVISED -	STATE OF ILLINOIS DEPARTMENT OF TRANSPORTATION	BEARING DETAILS STRUCTURE NO. 097-0076	F.A.P.	SECTION	COUNTY	TOTAL SHEETS	SHEET NO.
HAMPTON, LENZINI AND RENWICK, INC. 3335 STEVENSON DRIVE, SUITE 201 SPRINGFIELD, ILLINOIS 62703	PLOT SCALE =	CHECKED - C.C.S.	REVISED -			328	105B-1	WHITE	54	40
ILLINOIS PROFESSIONAL DESIGN FIRM L3 / P.E. / SE CORP. 164-000259	PLOT DATE = 7/13/2011	DRAWN - D.A.B.	REVISED -			CONTRACT NO. 78161				
		CHECKED - M.D.C.	REVISED -			ILLINOIS FED. AID PROJECT				
SHEET NO. 19 OF 26 SHEETS										