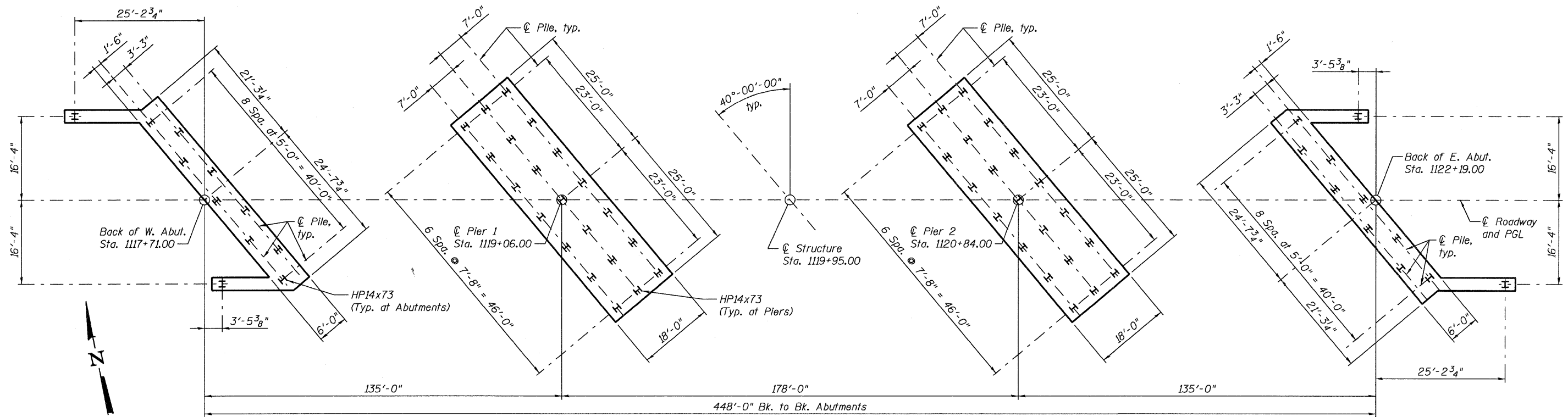
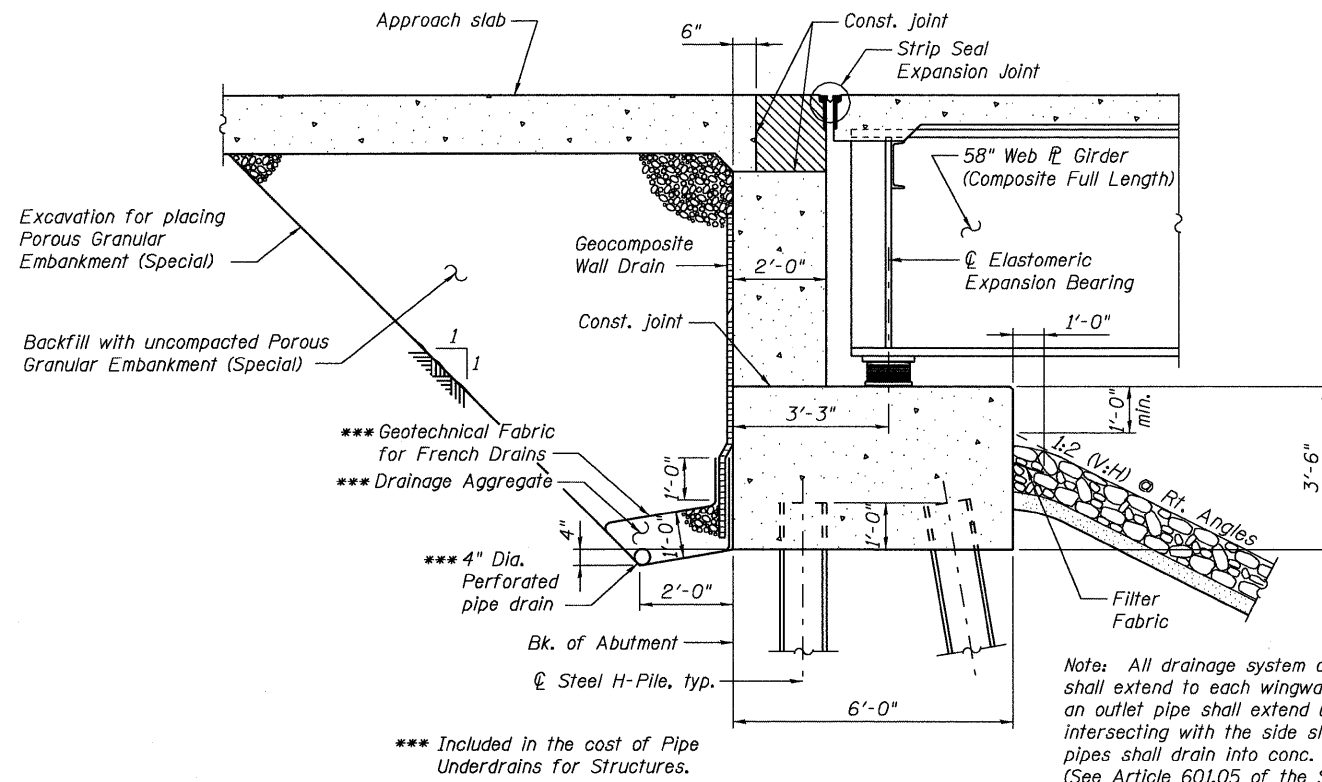


P:\A\26703\700cadd\709str\steelFabrication drawings\039-0074978049-Foundation Plan.dgn
 29-SEP-2011 10:39

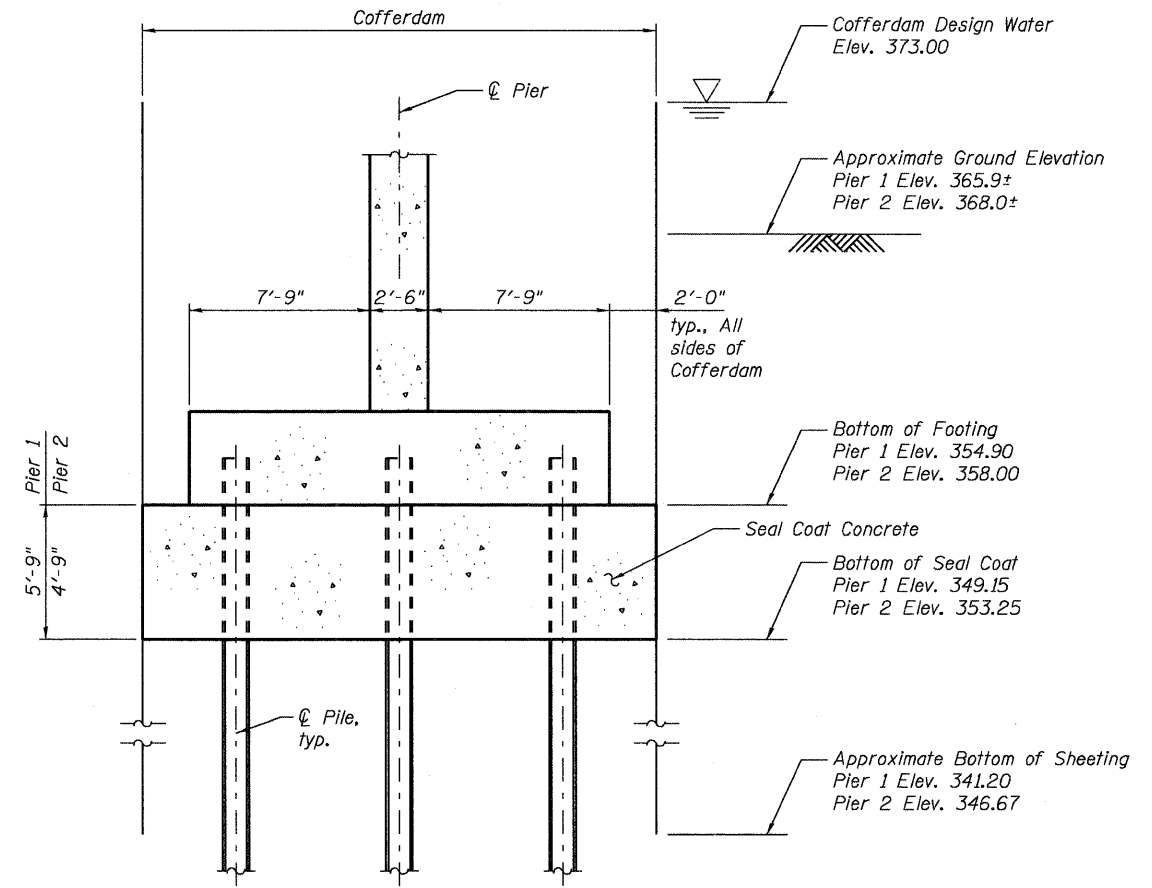


FOUNDATION LAYOUT



SECTION THRU ABUTMENT
(Horiz. dim. @ Rt. L's)

Note: All drainage system components shall extend to each wingwall except an outlet pipe shall extend until intersecting with the side slopes. The pipes shall drain into conc. headwalls (See Article 601.05 of the Std. Spec's and Hwy. Std. 601101).



SECTION THRU COFFERDAM

FOR INFORMATION ONLY



USER NAME =
 PLOT DATE = 29-SEP-2011

DESIGNED - B. ERSCHEN
 CHECKED - N. KHATRI
 DRAWN - C. SALLADE
 CHECKED - J. SMITH

REVISED -
 REVISED -
 REVISED -
 REVISED -

STATE OF ILLINOIS
 DEPARTMENT OF TRANSPORTATION

FOUNDATION LAYOUT
 STRUCTURE NO. 039-0074

SHEET NO. 3 OF 35 SHEETS

F.A.P. RTE.	SECTION	COUNTY	TOTAL SHEETS	SHEET NO.
686	114F-1	JACKSON	5	24

CONTRACT NO. 78283

ILLINOIS FED. AID PROJECT