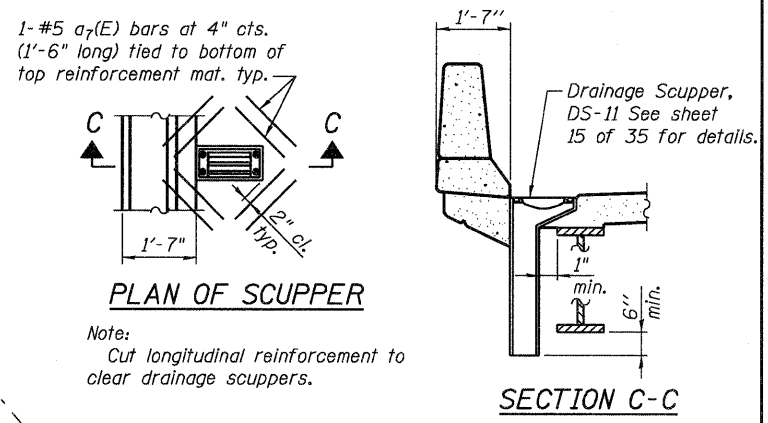
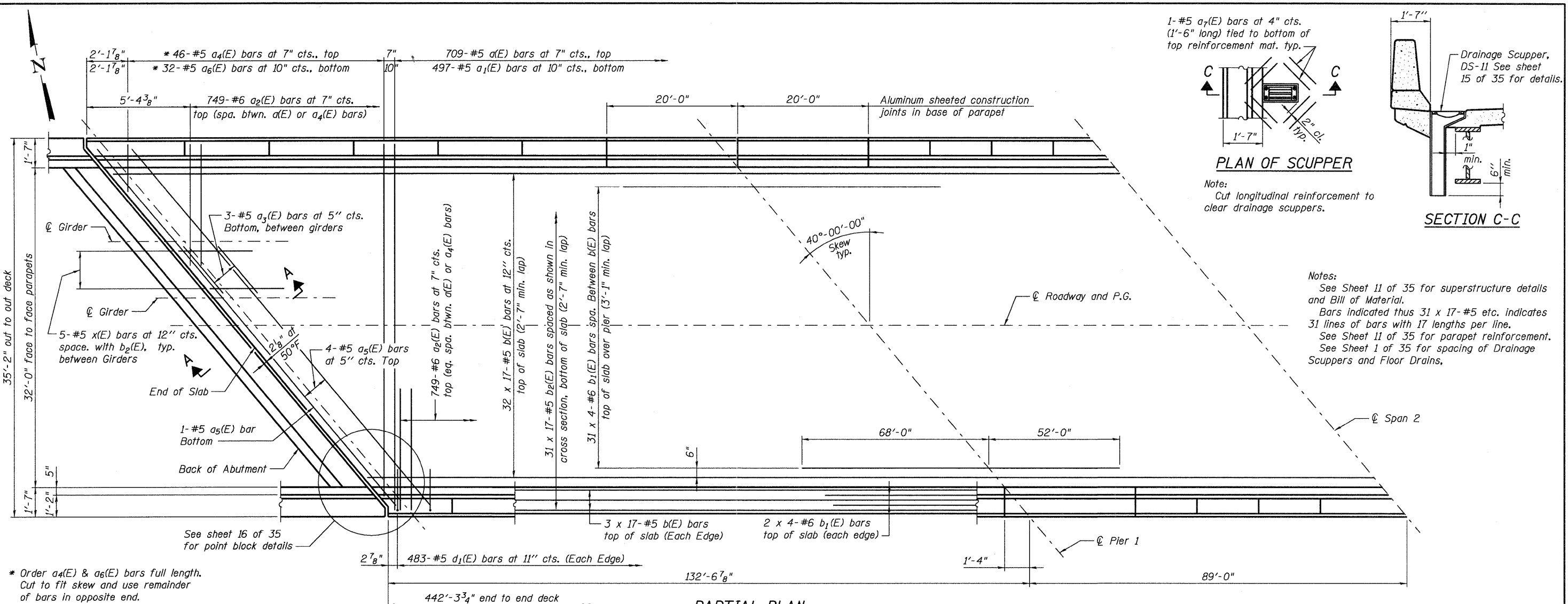


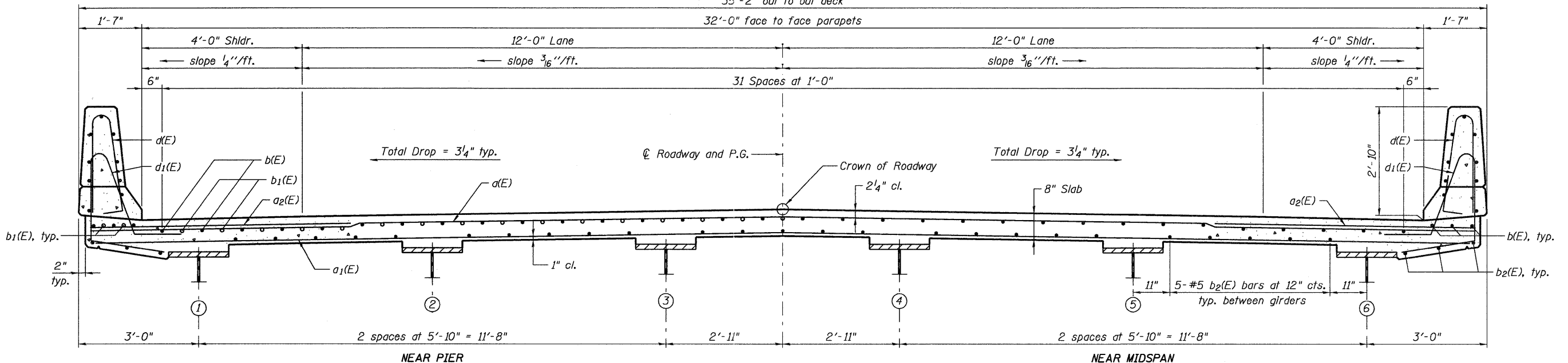
P:\CIX26703\T00cadd\709str\steel\Fabrication drawings\039-0074978049-Superstructure.dgn
 29-SEP-2011 10:39



Notes:
 See Sheet 11 of 35 for superstructure details and Bill of Material.
 Bars indicated thus 31 x 17-#5 etc. indicates 31 lines of bars with 17 lengths per line.
 See Sheet 11 of 35 for parapet reinforcement.
 See Sheet 1 of 35 for spacing of Drainage Scuppers and Floor Drains.

* Order a4(E) & a6(E) bars full length.
 Cut to fit skew and use remainder of bars in opposite end.

PARTIAL PLAN



CROSS SECTION
 (Looking East/Ahead Station)

FOR INFORMATION ONLY

JACOBS USER NAME = PLOT DATE = 29-SEP-2011 FILE NAME=039-0074978049-Superstructure.dgn	DESIGNED - B. ERSCHEN CHECKED - M. CRONIN DRAWN - C. SALLADE CHECKED - F. CAMBA	REVISED - REVISED - REVISED - REVISED -	STATE OF ILLINOIS DEPARTMENT OF TRANSPORTATION	SUPERSTRUCTURE PLAN AND SECTION STRUCTURE NO. 039-0074 SHEET NO. 10 OF 35 SHEETS	F.A.P. RTE. 686 SECTION 114F-1 COUNTY JACKSON TOTAL SHEETS 10 SHEET NO. 24 CONTRACT NO. 78283 ILLINOIS FED. AID PROJECT