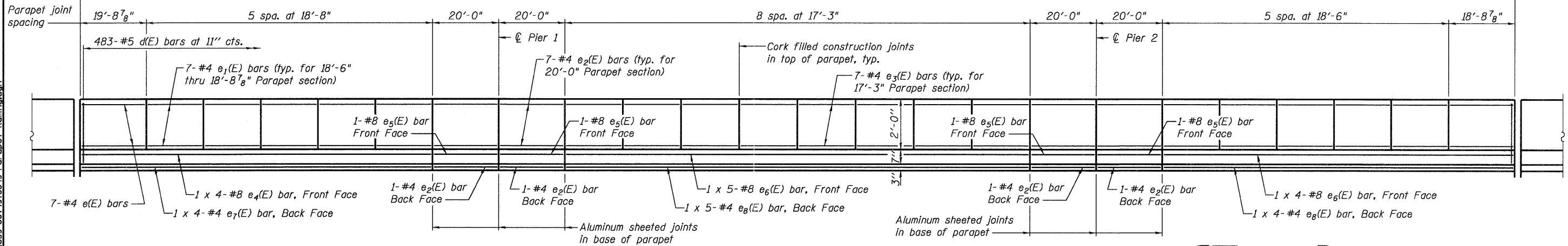
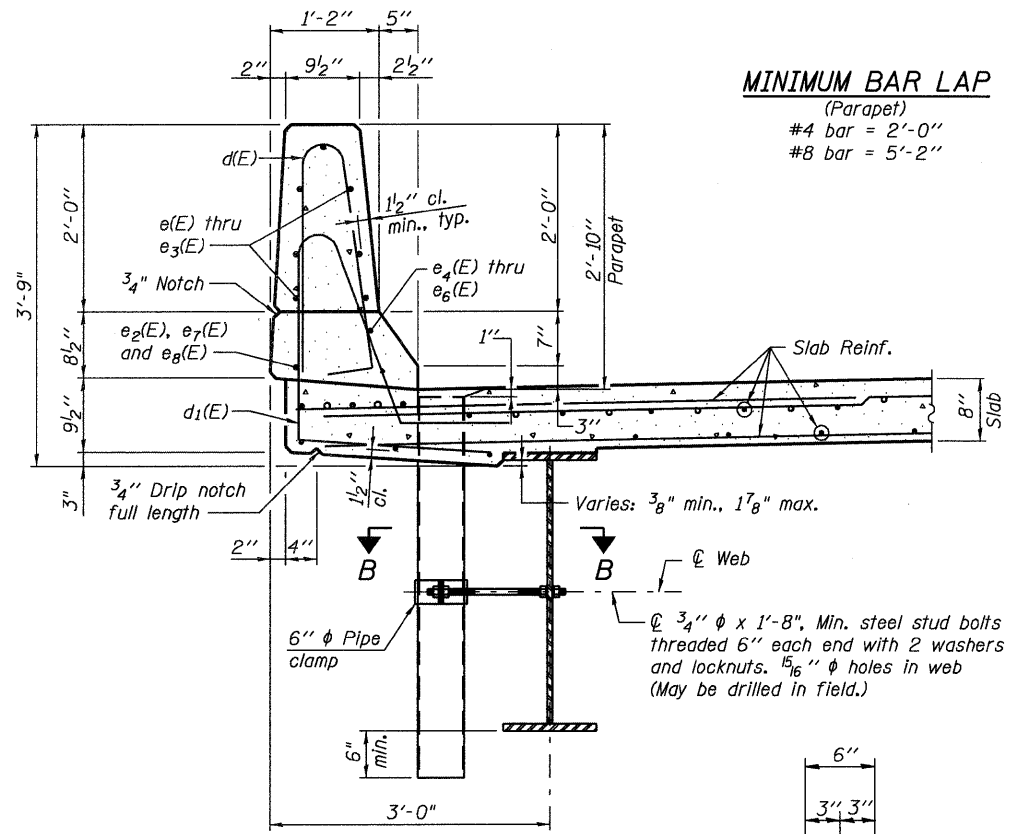


NOT FOR CONSTRUCTION

442'-3 3/4" End to end parapet



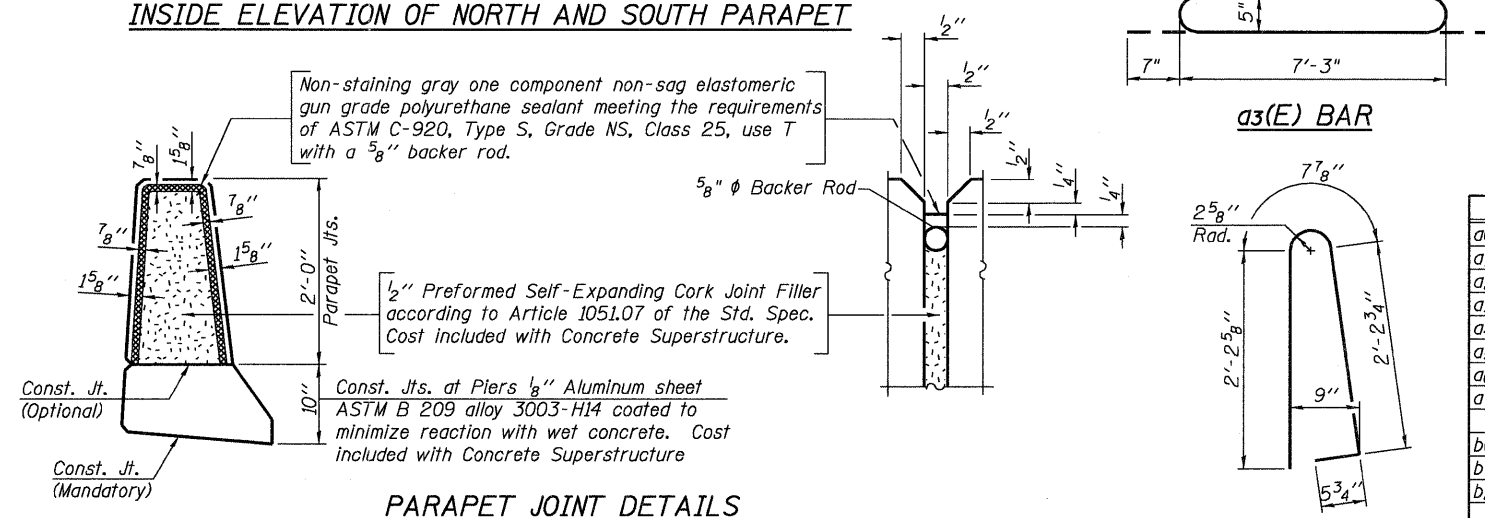
INSIDE ELEVATION OF NORTH AND SOUTH PARAPET



SECTION THRU PARAPET

MINIMUM BAR LAP

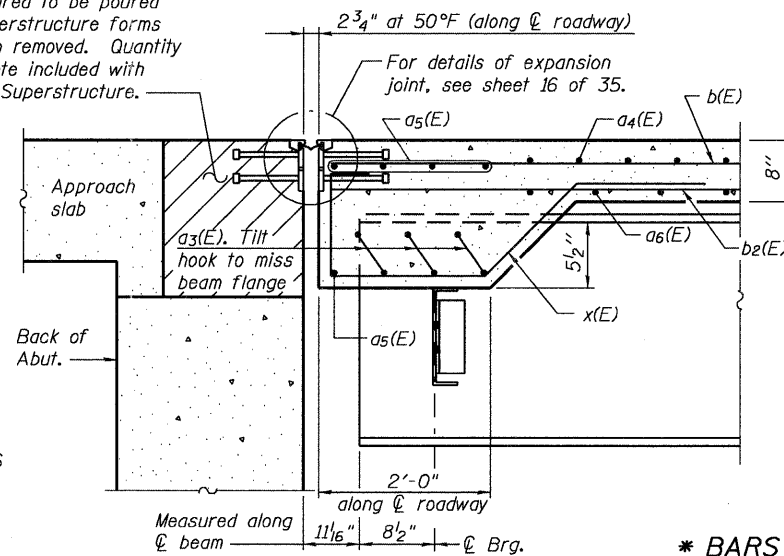
(Parapet)  
 #4 bar = 2'-0"  
 #8 bar = 5'-2"



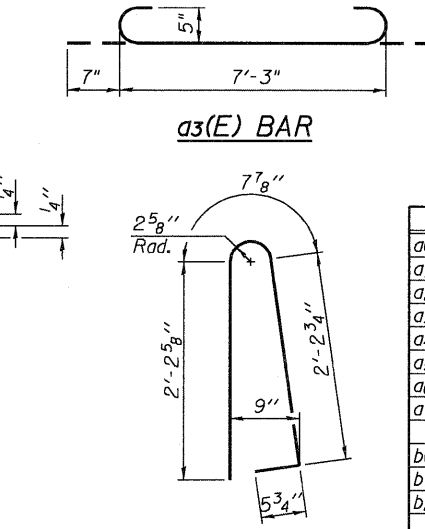
PARAPET JOINT DETAILS

Notes:  
 Drains shall be located clear of all diaphragms.  
 The exterior surfaces of the floor drains shall be painted with the finish coat as specified in the special provisions for Cleaning and Painting New Metal Structures. The exterior surfaces of the drains shall be cleaned according to the Society of Protective Coatings Spec. SSPC-SP1 prior to painting. Fiberglass pipe shall conform to ASTM D 2996, with short-time rupture strength hoop tensile stress of 30,000 p.s.i. minimum.  
 Galvanize clamping device according to AASHTO M232. Cost of clamping device and inserts is included with Floor Drains.

Hatched area to be poured after superstructure forms have been removed. Quantity of concrete included with Concrete Superstructure.



SECTION A-A



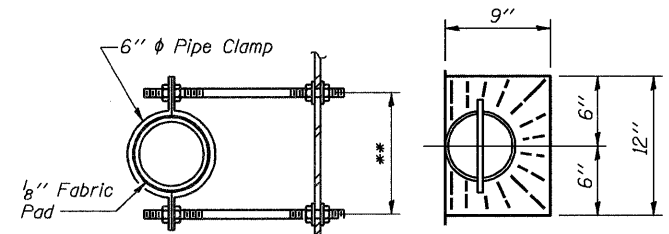
BAR d1(E)

\* BARS a4 AND a6 CUTTING DIAGRAM

SUPERSTRUCTURE BILL OF MATERIAL

Bar	No.	Size	Length	Shape
a(E)	709	#5	34'-6"	—
a1(E)	497	#5	34'-6"	—
a2(E)	1498	#6	6'-6"	—
a3(E)	30	#5	8'-5"	—
a4(E)*	46	#5	36'-2"	—
a5(E)	10	#5	45'-0"	—
a6(E)*	32	#5	35'-10"	—
a7(E)	16	#5	1'-6"	—
b(E)	646	#5	28'-6"	—
b1(E)	280	#6	32'-6"	—
b2(E)	527	#5	28'-6"	—
d(E)	966	#5	5'-7"	—
d1(E)	966	#5	7'-9"	—
e(E)	14	#4	19'-6"	—
e1(E)	154	#4	18'-3"	—
e2(E)	64	#4	19'-9"	—
e3(E)	112	#4	17'-0"	—
e4(E)	8	#8	32'-1"	—
e5(E)	8	#8	19'-9"	—
e6(E)	18	#8	31'-9"	—
e7(E)	8	#4	29'-9"	—
e8(E)	18	#4	29'-3"	—
x(E)	50	#5	6'-8"	—
Reinforcement Bars, Epoxy Coated Concrete Superstructure		Pound	131,350	
		Cu. Yds.	517.3	

Bars indicated thus 1 x 5-#8 etc. indicates 1 line of bars with 5 lengths per line.



SECTION B-B  
 \*\* Dimension as required by Pipe Clamp

TOP PLAN

FLOOR DRAIN DETAILS  
 (52 Req'd.)

FIBERGLASS PIPE

ALUMINUM TUBE

<b>JACOBS</b> USER NAME = PLOT DATE = 29-SEP-2011 FILE NAME = 039-0074978049-Parapet Railing.dgn	DESIGNED - B. ERSCHEN CHECKED - M. CRONIN DRAWN - E. KRACK CHECKED - F. CAMBA	REVISED - REVISED - REVISED - REVISED -	STATE OF ILLINOIS DEPARTMENT OF TRANSPORTATION	SUPERSTRUCTURE DETAILS STRUCTURE NO. 039-0074 SHEET NO. 11 OF 35 SHEETS	F.A.P. RTE. 686 SECTION 114F-1 COUNTY JACKSON TOTAL SHEETS 11 SHEET NO. 24 CONTRACT NO. 78283 ILLINOIS FED. AID PROJECT
---	--	--	---	---	---