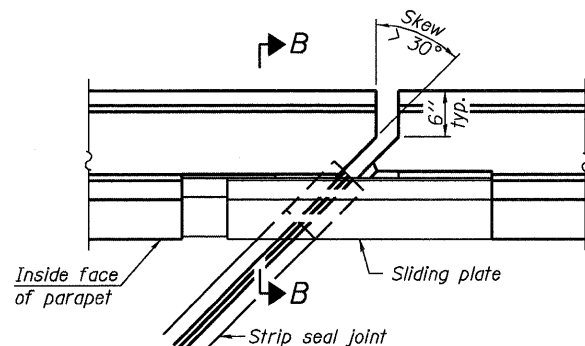
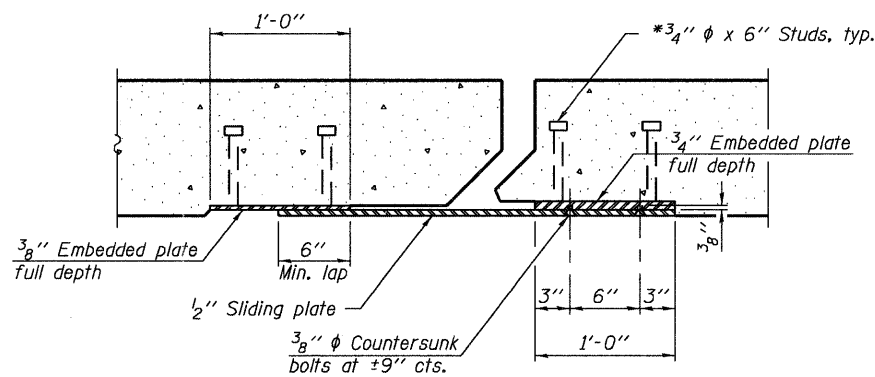


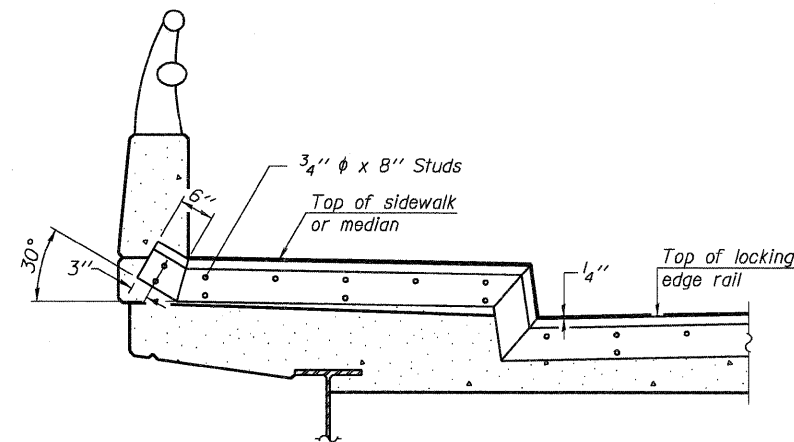
PLAN  
(For skews  $\leq 30^\circ$ )



PLAN  
(For skews  $> 30^\circ$ )  
Showing point block

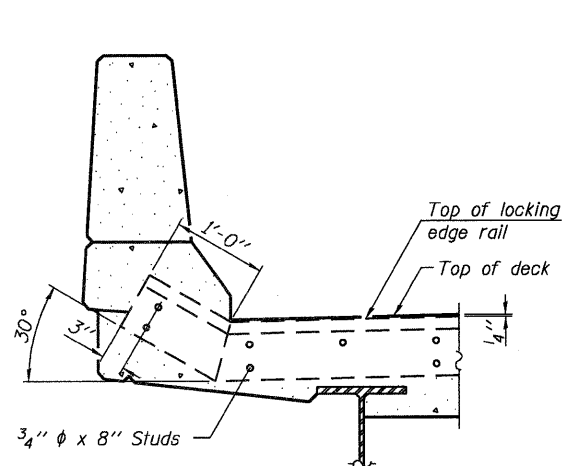


SECTION C-C

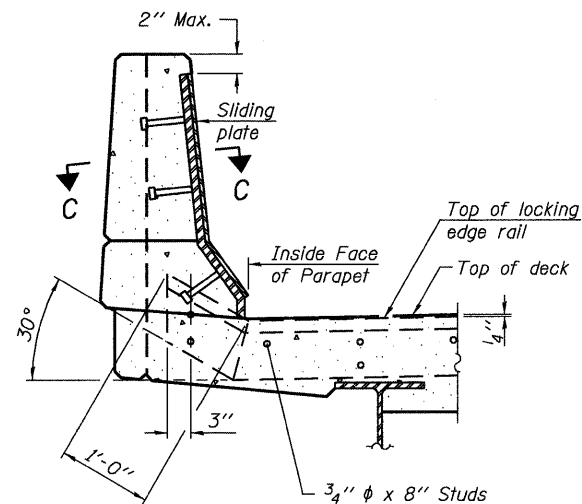


TYPICAL END TREATMENT  
AT SIDEWALK OR MEDIAN

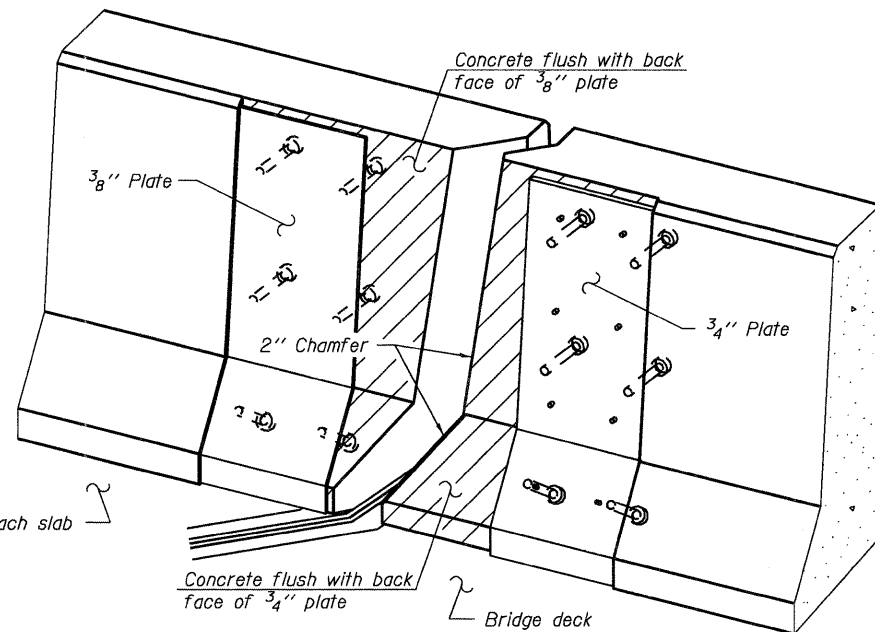
Shorter plates with a single row of studs at 12" cts. may be necessary on medians which are shallower than 9". See manufacturer's recommendation.



SECTION A-A

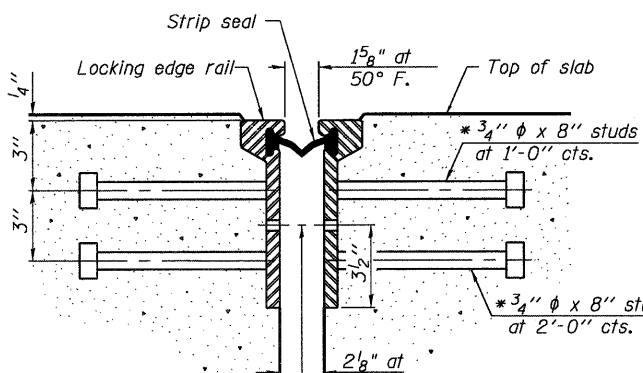


SECTION B-B

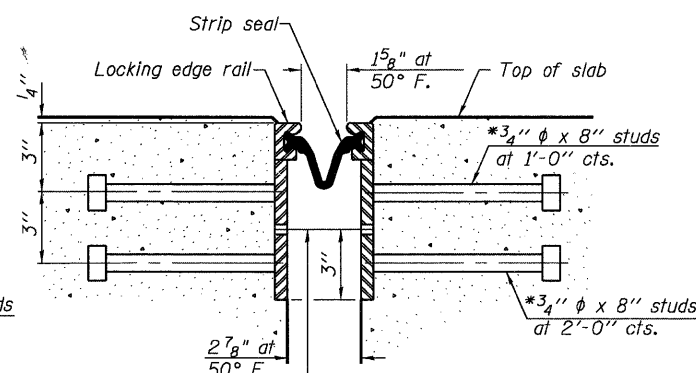


TRIMETRIC VIEW  
(Showing back plates only)

Notes:  
The strip seal shall be made continuous and shall have a minimum thickness of 1/4". The configuration of the strip seal shall match the configuration of the Locking Edge Rails. Open or "webbed" strip seal gland configurations are not permitted. The gland shall be sized for a maximum rated movement of 4 inches.  
The Locking Edge Rails depicted are conceptual only, except for the minimum dimensions shown. The actual configuration of the Locking Edge Rails and matching strip seal may vary from manufacturer to manufacturer. Flanged edge rails will not be allowed. Locking Edge Rails may be spliced at slope discontinuities.  
The manufacturer's recommended installation methods shall be followed.  
The joint opening and deck dimensions detailed on the superstructure are based on a rolled rail expansion joint. If the Contractor elects to use the welded rail expansion joint, the opening and deck dimensions shall be modified according to the dimensions detailed on this sheet. Required modifications shall be made at no additional cost to the State.  
All steel components shall be galvanized after fabrication according to Article 520.03 of the Standard Specifications. Maximum space between rail segments at stage lines shall be 3/16", sealed with a suitable sealant.  
Parapet plates and anchorage studs for skews  $> 30^\circ$  included in the cost of Preformed Joint Strip Seal.



SECTION THRU  
ROLLED RAIL JOINT

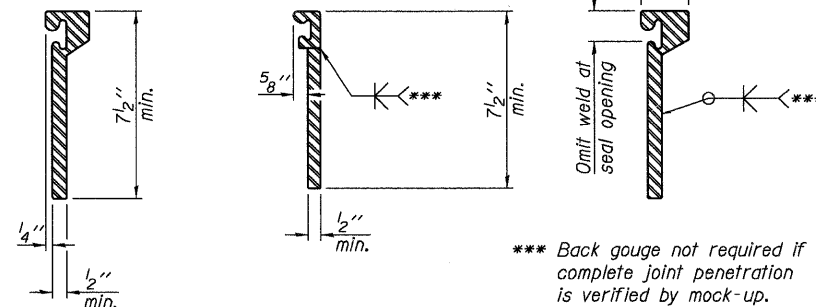


SECTION THRU  
WELDED RAIL JOINT

7/16"  $\phi$  holes at 4'-0" cts. for 3/8"  $\phi$  bolts. All bolts shall be burned, sawed, or chipped off flush with the plates after forms are removed, typ.

7/16"  $\phi$  holes at 4'-0" cts. for 3/8"  $\phi$  bolts. All bolts shall be burned, sawed, or chipped off flush with the plates after forms are removed, typ.

\* Granular or solid flux filled headed studs conforming to Article 1006.32 of the Std. Specs., automatically end welded.



ROULDED  
EXTRUDED RAIL      WELDED RAIL

\*\*\* Back gauge not required if complete joint penetration is verified by mock-up.

LOCKING EDGE  
RAIL SPLICE

The inside of the locking edge rail groove shall be free of weld residue.

Rolled rail shown, welded rail similar.

BILL OF MATERIAL

Item	Unit	Total
Preformed Joint Strip Seal	Foot	87.5

FOR INFORMATION ONLY

EJ-SSJ

7-1-10

<b>JACOBS</b>	USER NAME =	DESIGNED -	REVISED -
	PLOT DATE = 29-SEP-2011	CHECKED - C. SALLADE	REVISED -
		DRAWN - B. ERSCHEN	REVISED -
		CHECKED -	REVISED -

STATE OF ILLINOIS  
DEPARTMENT OF TRANSPORTATION

PREFORMED JOINT STRIP SEAL  
STRUCTURE NO. 039-0074

SHEET NO. 16 OF 35 SHEETS

F.A.P. RTE. 686	SECTION 114F-1	COUNTY JACKSON	TOTAL SHEETS 12	SHEET NO. 24
ILLINOIS FED. AID PROJECT				

CONTRACT NO. 78283