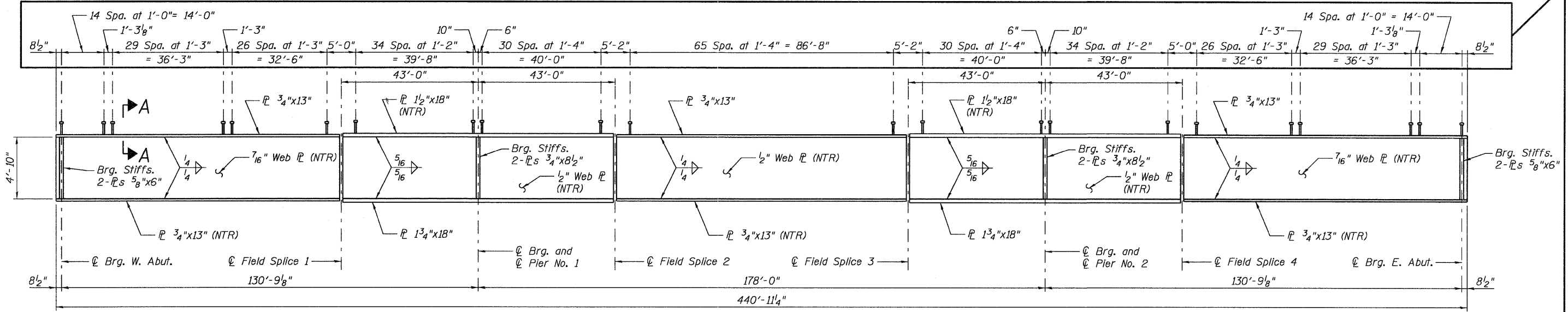
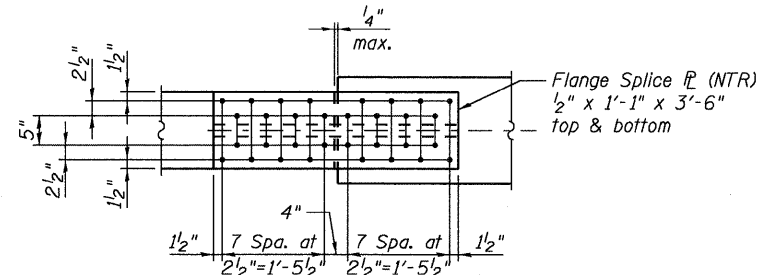


FOR INFORMATION ONLY

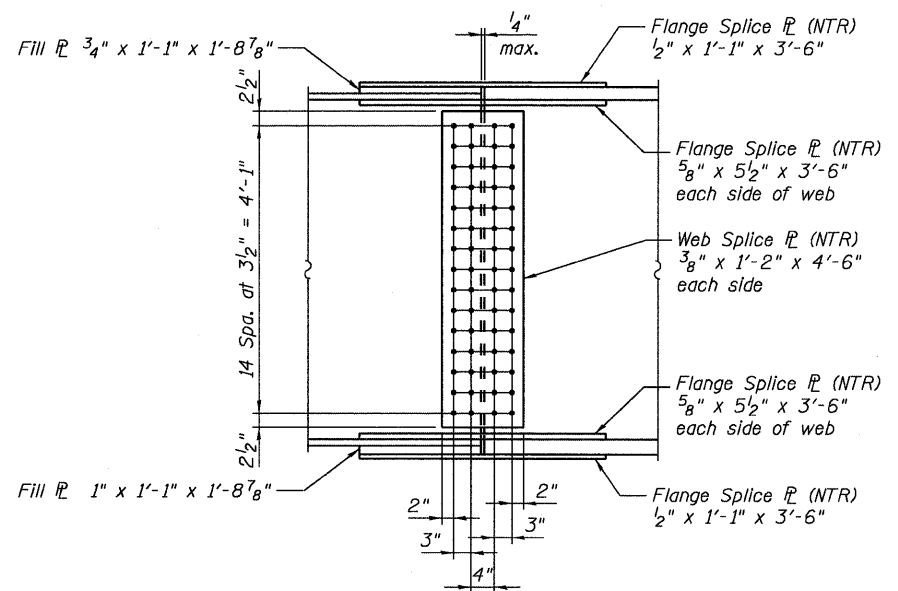


**GIRDER ELEVATION**

"NTR" denotes plates to which notch toughness requirements are applicable.

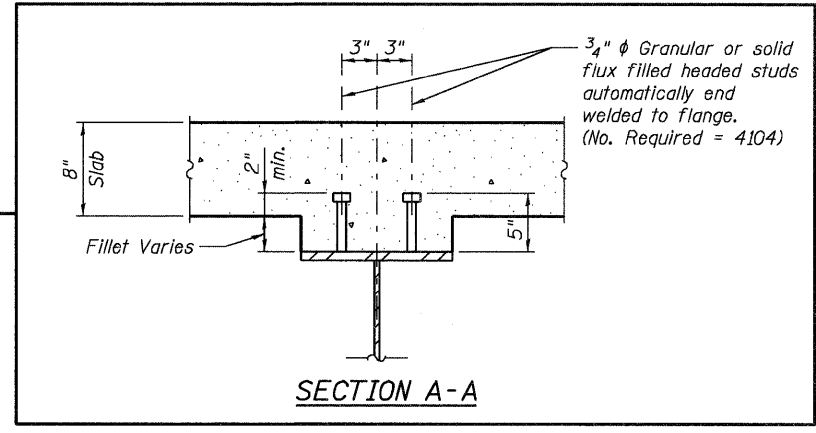


**TOP AND BOTTOM SPLICE PLATES**



**SPLICE DETAIL**

(24 Required)



**SECTION A-A**

Notes:  
 Load carrying components designated "NTR" shall conform to the Supplemental Requirements for Notch Toughness, Zone 2.  
 Structural steel shall conform to the requirements of AASHTO M270 Grade 50W except as noted.  
 All bolts are 7/8" phi ASTM A325 high strength bolts in 15/16" phi holes.

FOR INFORMATION ONLY

29-SEP-2011 10:39 P:\CMX26703\700cadd\709str\steel fabrication drawings\039-0074978049-SteelDetails.dgn



USER NAME =  
 PLOT DATE = 29-SEP-2011

DESIGNED - B. ERSCHEN  
 CHECKED - M. CRONIN  
 DRAWN - C. SALLADE  
 CHECKED - J. SMITH

REVISED -  
 REVISED -  
 REVISED -  
 REVISED -

**STATE OF ILLINOIS  
 DEPARTMENT OF TRANSPORTATION**

**GIRDER DETAILS  
 STRUCTURE NO. 039-0074**

SHEET NO. 18 OF 35 SHEETS

F.A.P. RTE.	SECTION	COUNTY	TOTAL SHEETS	SHEET NO.
686	114F-1	JACKSON	14	24
CONTRACT NO. 78283				

ILLINOIS FED. AID PROJECT