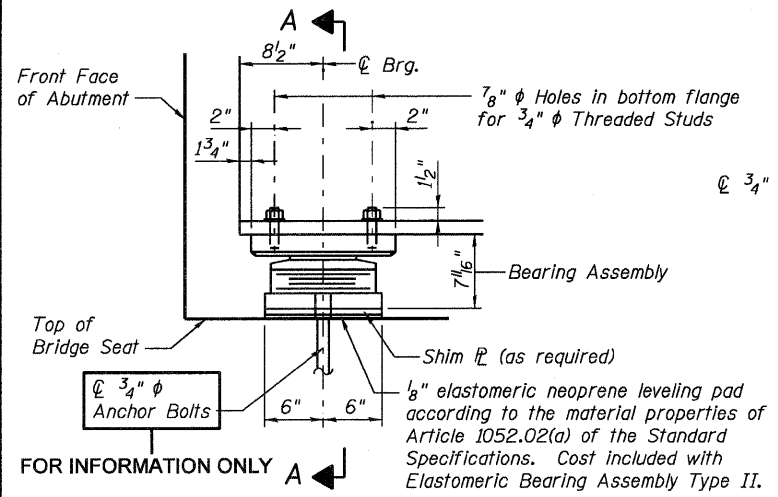
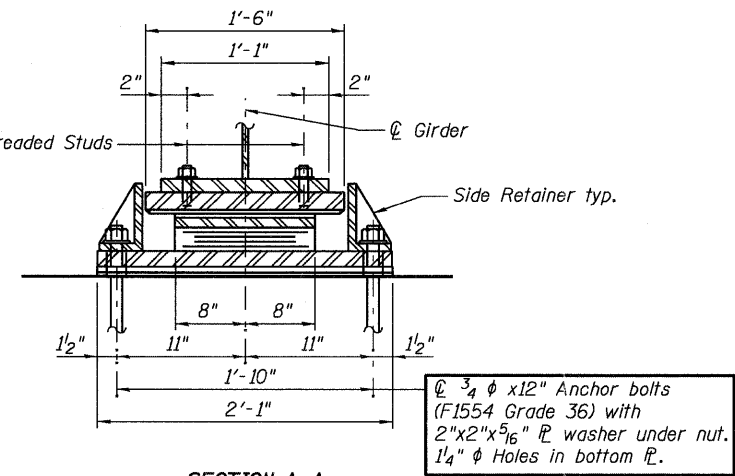


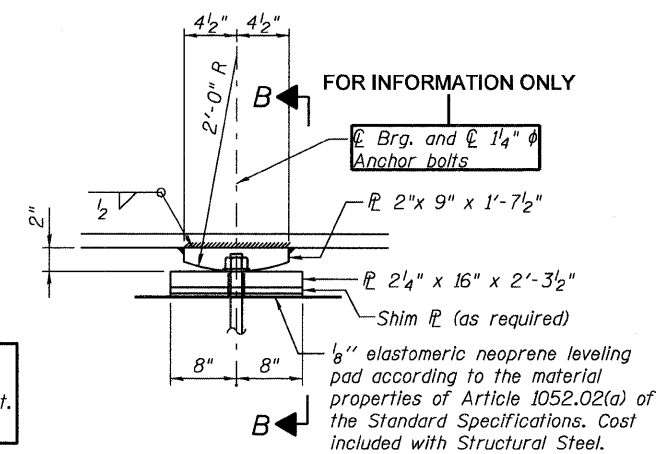
FILE NAME=039-0074978049-Bearing Details.dgn  
 P:\0326703\700cadd\709str\steel fabrication drawings\039-0074978049-Bearing Details.dgn  
 29-SEP-2011 10:39



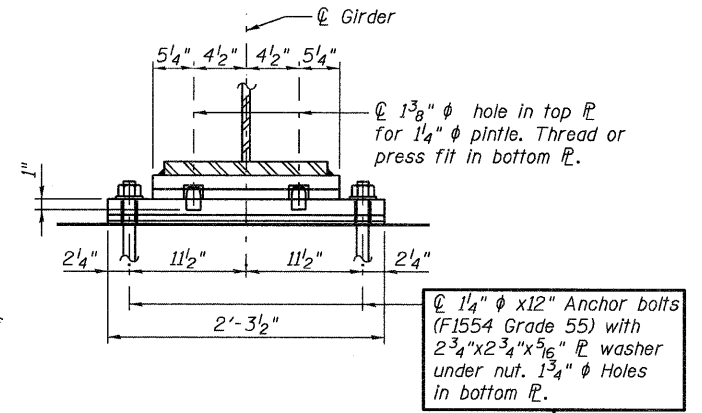
**ELEVATION AT ABUTMENT**  
**TYPE II ELASTOMERIC EXPANSION BEARING**  
**AT WEST AND EAST ABUTMENTS**  
 (12 Required Total)



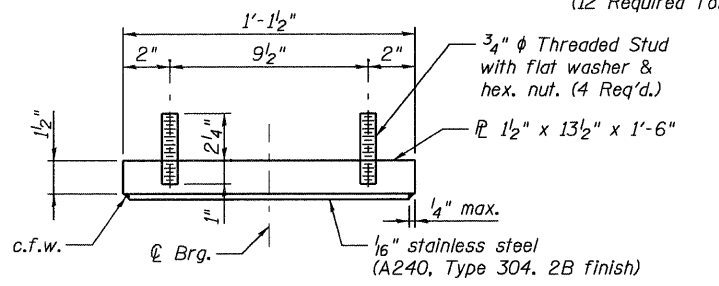
**SECTION A-A**  
 FOR INFORMATION ONLY



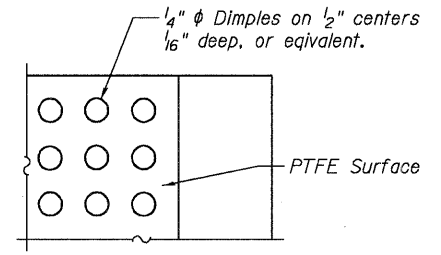
**ELEVATION AT PIER**  
**FIXED BEARING AT PIER 1 AND PIER 2**  
 (12 Required Total)



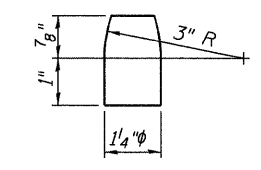
**SECTION B-B**  
 FOR INFORMATION ONLY



**TOP BEARING ASSEMBLY**



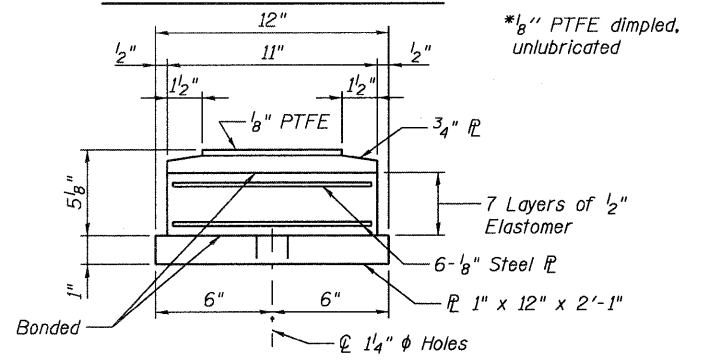
**PLAN-PTFE SURFACE**



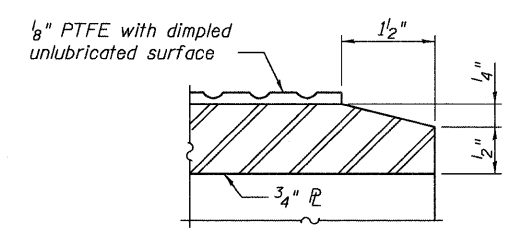
**PINTLE**

FOR INFORMATION ONLY

**Notes:**  
 Anchor bolts shall be ASTM F1554 all-thread (or an Engineer-approved alternate material) of the grade(s) and diameter(s) specified. ASTM A307 Grade C anchor bolts may be used in lieu of ASTM F1554 Grade 36 (Fy=36ksi). The corresponding specified grade of AASHTO M314 anchor bolts may be used in lieu of ASTM F1554.  
 Anchor bolts at fixed bearings may be either cast in place or installed in holes drilled after the supported member is in place.  
 Anchor bolts for Type II bearings shall be placed in holes drilled in the concrete through holes in the bottom bearing plate after members are in place. Side retainers shall be placed after bolts are installed.  
 Drilled and set anchor bolts shall be installed according to Article 521.06 of the Standard Specifications.  
 Side retainers and other steel members required for the elastomeric bearing assembly shall be included in the cost of Elastomeric Bearing Assembly, Type II.  
 The 1/8" PTFE sheet shall be bonded directly to the top steel plate with a two-component, medium viscosity epoxy resin, conforming to the requirements of the Federal Specification MMM-A-134, Type I. The bond agent shall be applied on the full area of the contact surfaces.  
 Bonding of 1/8" PTFE sheet during vulcanizing process will be permitted provided the process and method of adjusting assembly height is approved by the Engineer.  
 The anchor bolt sizes and grades shown constitute a calculated seismic structural fuse. Substitution of higher diameter and/or grade anchor bolts will not be allowed.  
 The structural steel of the bearing assembly shall conform to the requirements of AASHTO M270 Grade 50W. Two 1/8" adjusting shims shall be provided for each bearing in addition to all other plates or shims and placed as shown on bearing details.



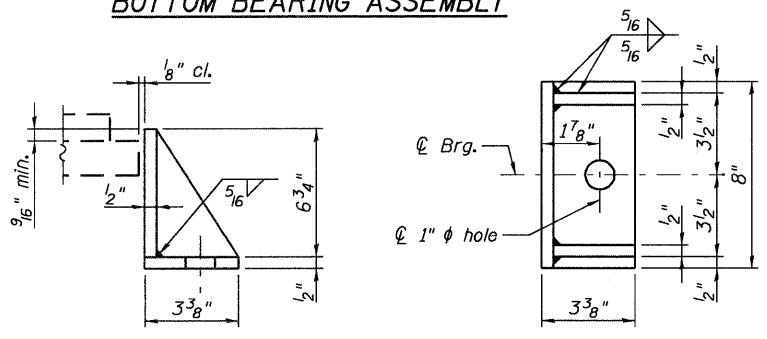
**BOTTOM BEARING ASSEMBLY**



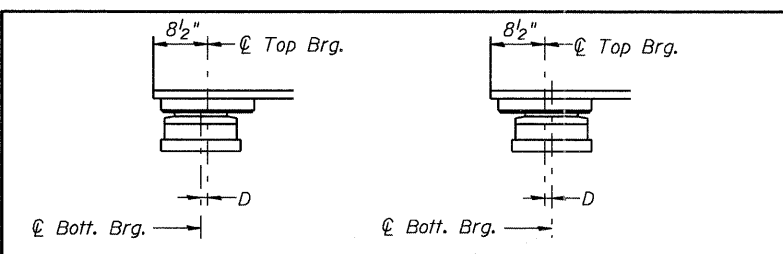
**SECTION THRU PTFE**

**PLANNED SHIMS TABLE**

Location	G1	G2	G3	G4	G5	G6
West Abutment	-	-	-	1/8"	-	-
Pier 1	-	-	-	3/8"	-	-
Pier 2	-	-	-	1/8"	-	-
East Abutment	-	-	-	1/8"	-	-



**SIDE RETAINER**  
 Equivalent rolled angle with stiffeners will be allowed in lieu of welded plates.



**SETTING ANCHOR BOLTS AT EXP. BRG.**  
 BELOW 50°F. ABOVE 50°F.  
 (Move bott. brg. away from fixed brg.) (Move bott. brg. toward fixed brg.)

**SETTING ANCHOR BOLTS AT EXP. BRG.**  
 D=1/8" per each 100' of expansion for every 15° temp. change from the normal temp. of 50°F.

FOR INFORMATION ONLY

FOR INFORMATION ONLY

**BILL OF MATERIAL**

Item	Unit	Total
Elastomeric Bearing Assembly Type II	Each	12
Anchor Bolts, 3/4"	Each	24
Anchor Bolts, 1/4"	Each	24

FOR INFORMATION ONLY