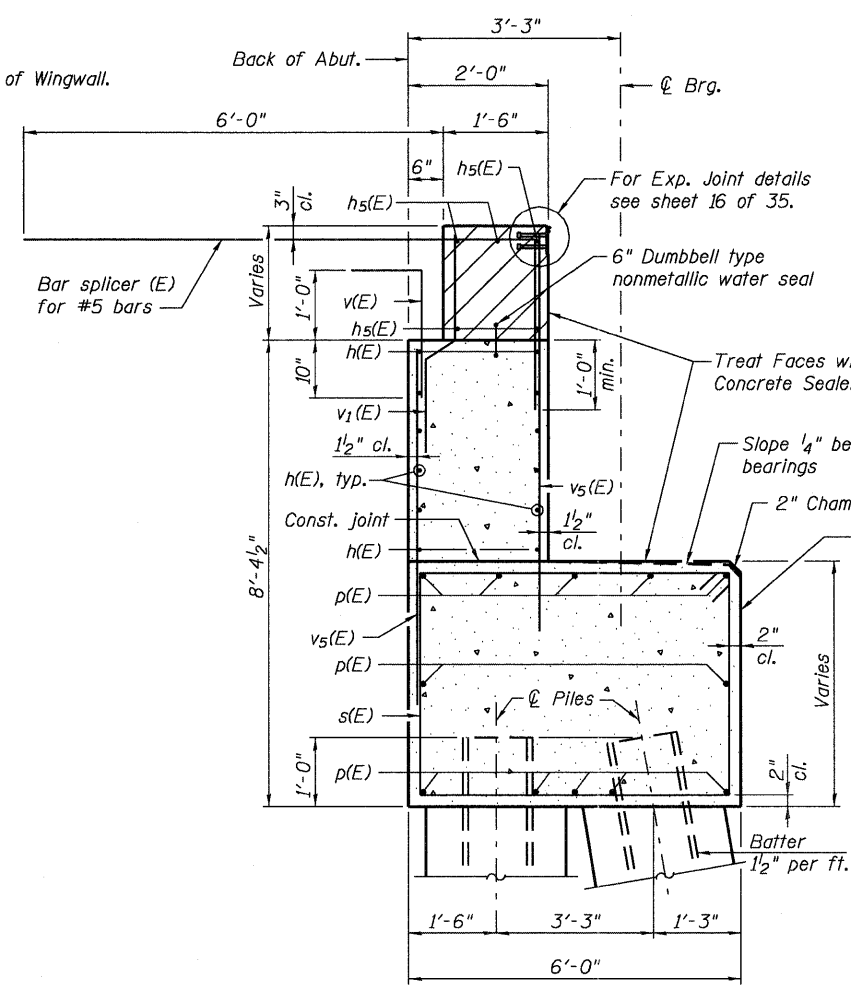
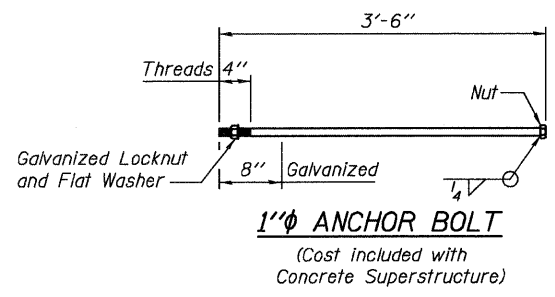
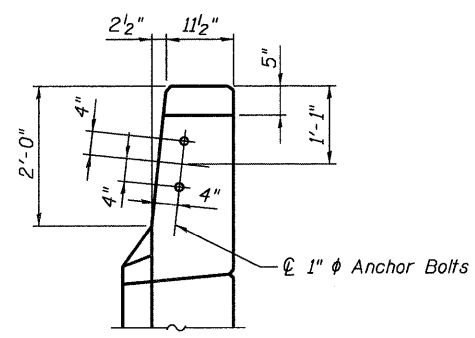
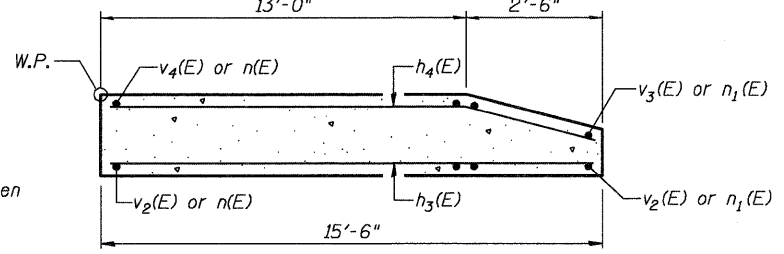
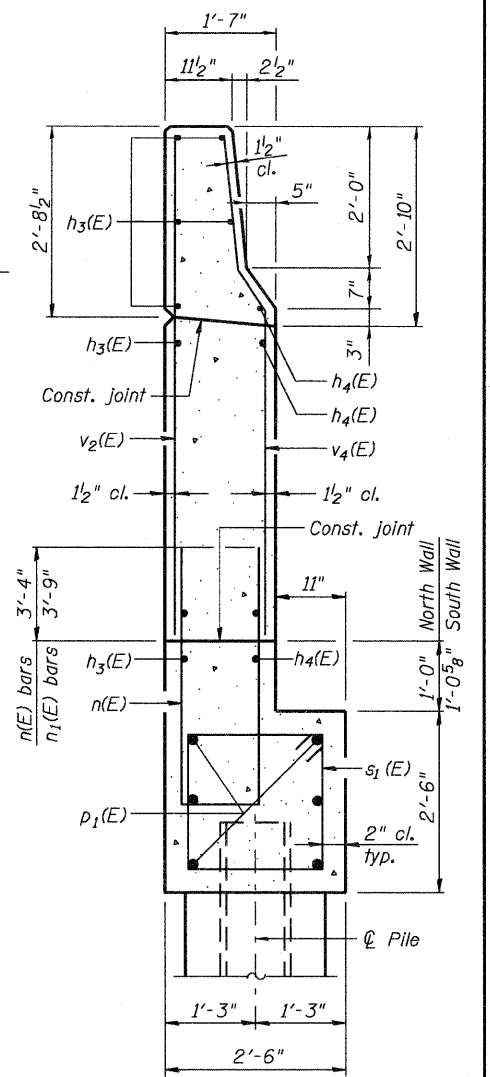
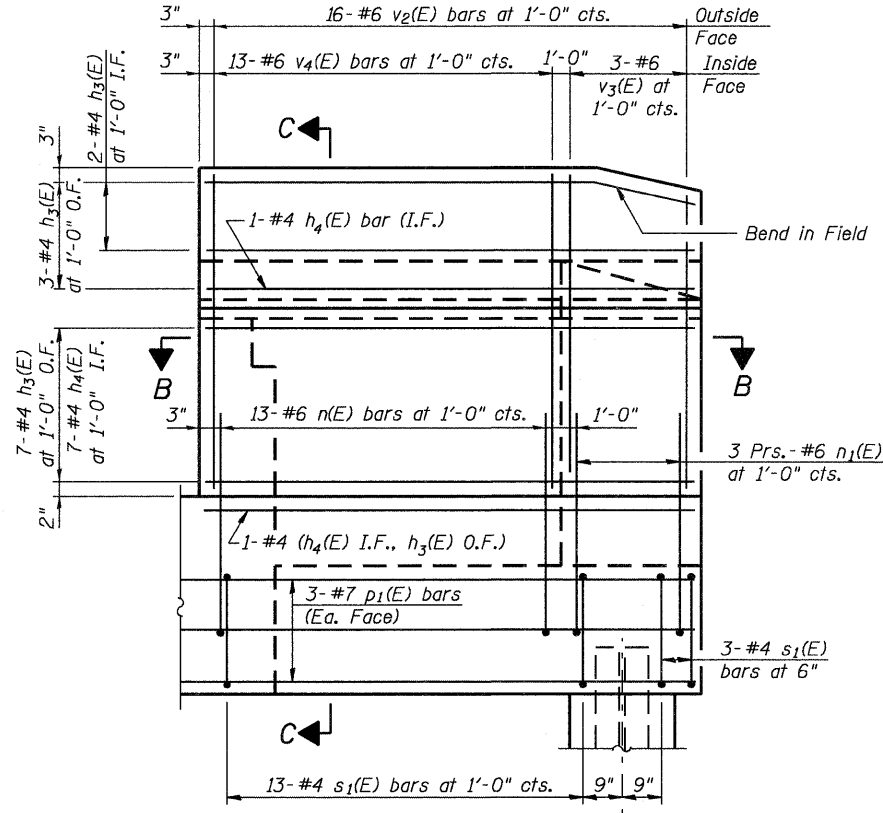
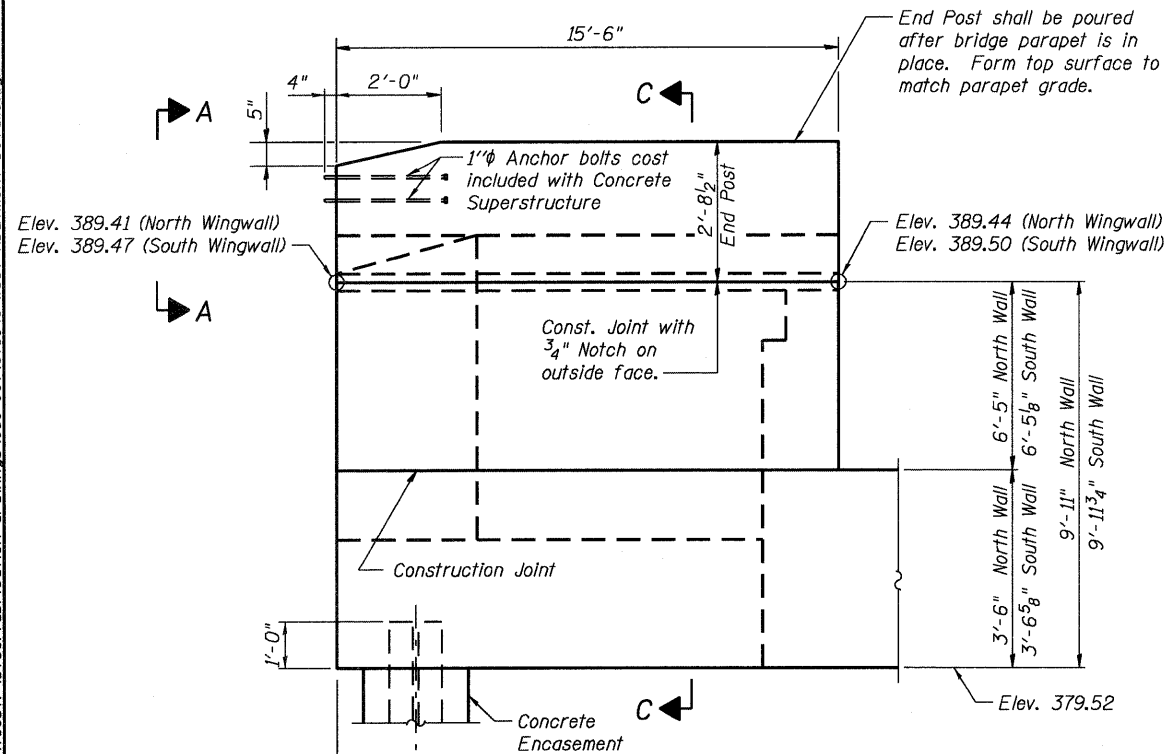


P:\CX26703\700cadd\7098tr\steel fabrication drawings\039-0074978049-West Abutment Details.dgn  
29-SEP-2011 10:39



**NOTES**

Hatched area to be poured after superstructure false work has been removed. Quantity of concrete included with Concrete Superstructure.

Space reinforcement in cap to miss anchor bolts.

Pour steps monolithically with cap.

Quantity of concrete in end post included with Concrete Superstructure on sheet 11 of 35.

For Concrete Encasement details, see sheet 30 of 35.



USER NAME =	DESIGNED - B. ERSCHEN	REVISED -
PLOT DATE = 29-SEP-2011	CHECKED - N. KHATRI	REVISED -
	DRAWN - C. SALLADE	REVISED -
	CHECKED - F. CAMBA	REVISED -

STATE OF ILLINOIS  
DEPARTMENT OF TRANSPORTATION

WEST ABUTMENT DETAILS  
STRUCTURE NO. 039-0074

SHEET NO. 23 OF 35 SHEETS

FOR INFORMATION ONLY

F.A.P. RTE. 686	SECTION 114F-1	COUNTY JACKSON	TOTAL SHEETS 19	SHEET NO. 24
			CONTRACT NO. 78283	
ILLINOIS FED. AID PROJECT				