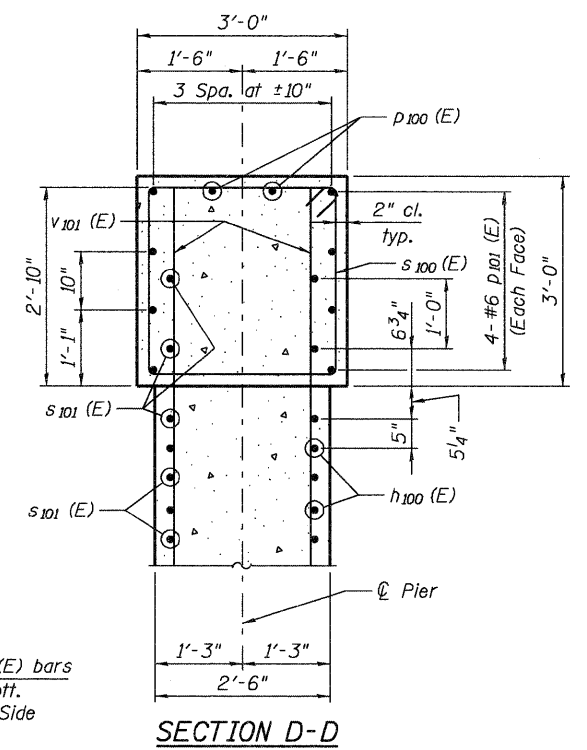
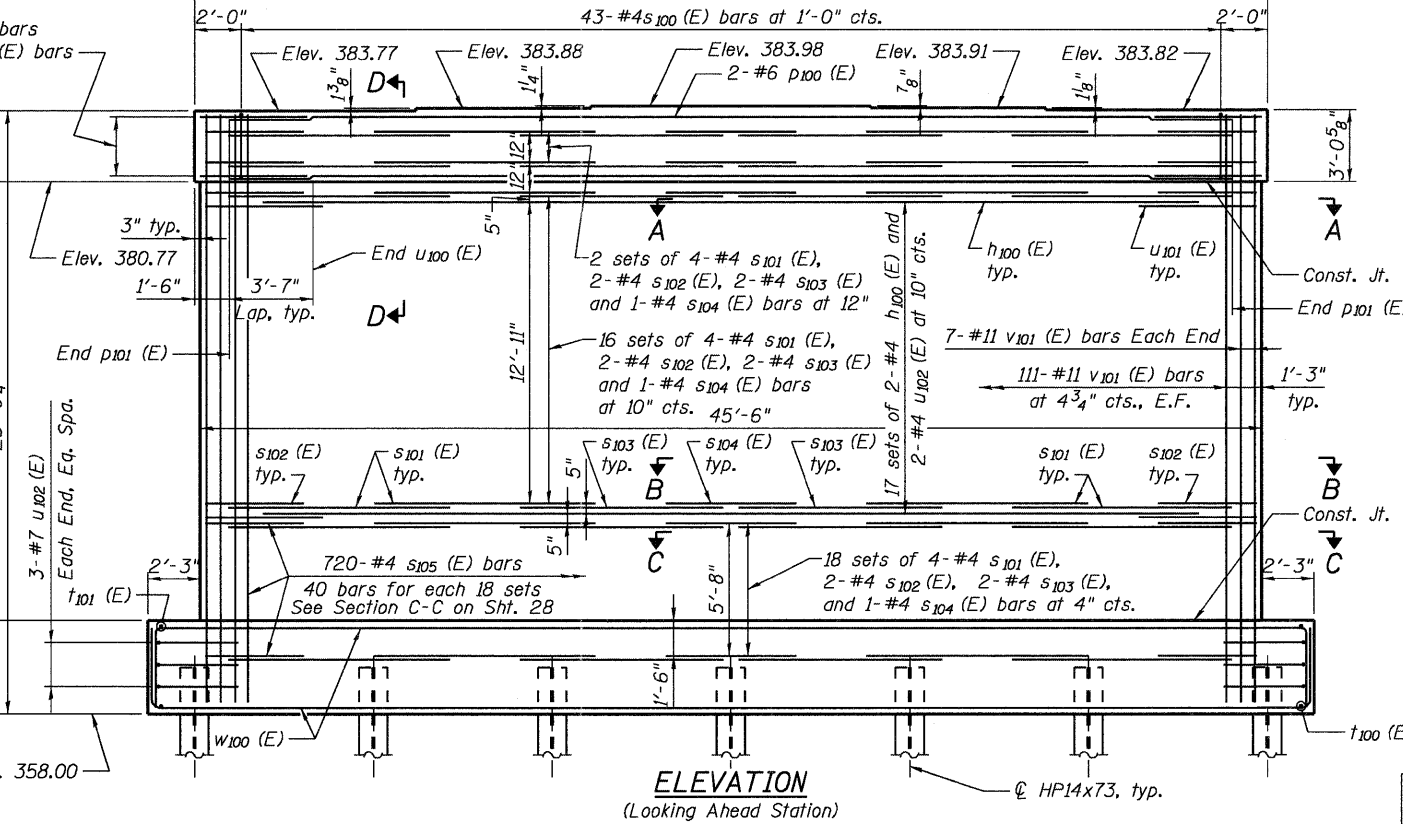
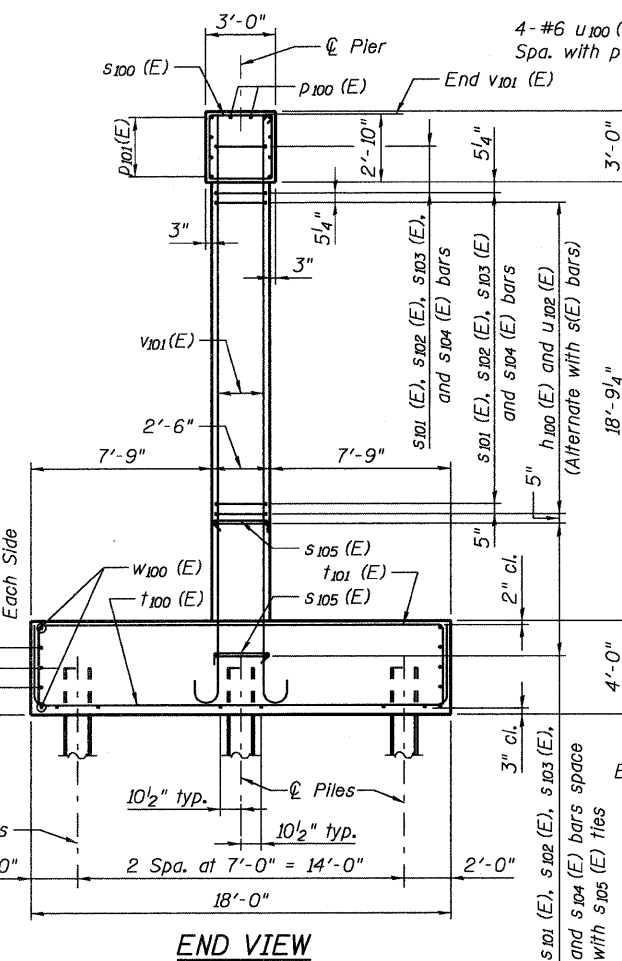
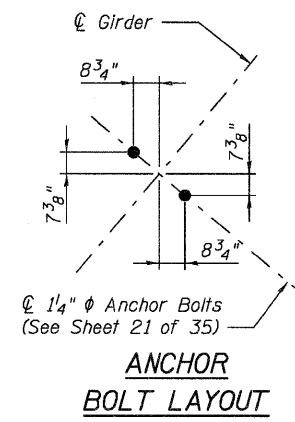
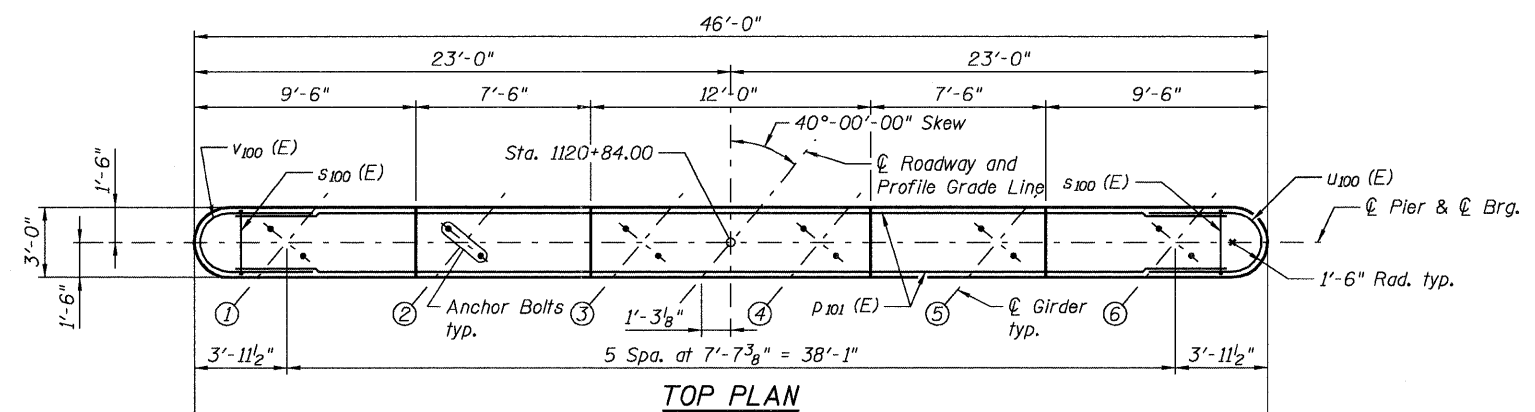
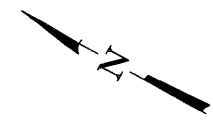
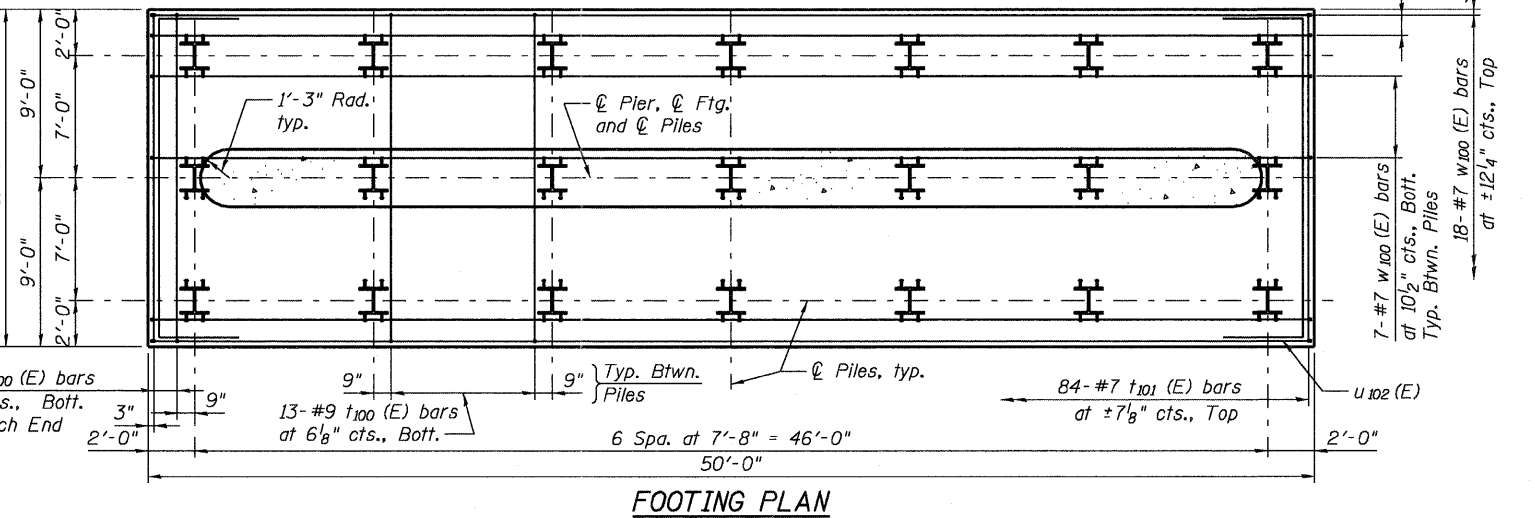


29-SEP-2011 P:\A\26703\T00cadd\T099str\steel fabrication drawings\039-0074978049-Pier2.dgn



PILE DATA
 Type: Steel HP14x73
 Nominal Required Bearing: 500 kips
 Factored Resistance Available: 275 kips
 Est. Length: 45 ft
 No. Production Piles: 20
 No. Test Piles: 1



NOTES
 All edges shall have 3/4 inch chamfer.
 Pour steps monolithically with cap.
 Place reinforcement in cap to miss anchor bolts.
 For details of bearings, see Sheet 21 of 35.
 For details of piles, see Sheet 30 of 35.

FOR INFORMATION ONLY

JACOBS	USER NAME =	DESIGNED - B. ERSCHEN	REVISED -	STATE OF ILLINOIS DEPARTMENT OF TRANSPORTATION	PIER 2 PLAN AND ELEVATION STRUCTURE NO. 039-0074	F.A.P. RTE. 686	SECTION	COUNTY	TOTAL SHEETS	SHEET NO.
	PLOT DATE = 29-SEP-2011	CHECKED - N. KHATRI	REVISED -				114F-1	JACKSON	23	24
FILE NAME = 039-0074978049-Pier2.dgn	DRAWN - C. SALLADE	REVISED -		SHEET NO. 27 OF 35 SHEETS		CONTRACT NO. 78283		ILLINOIS FED. AID PROJECT		