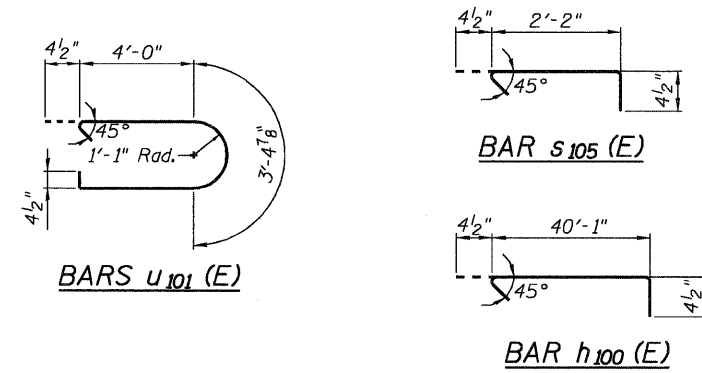
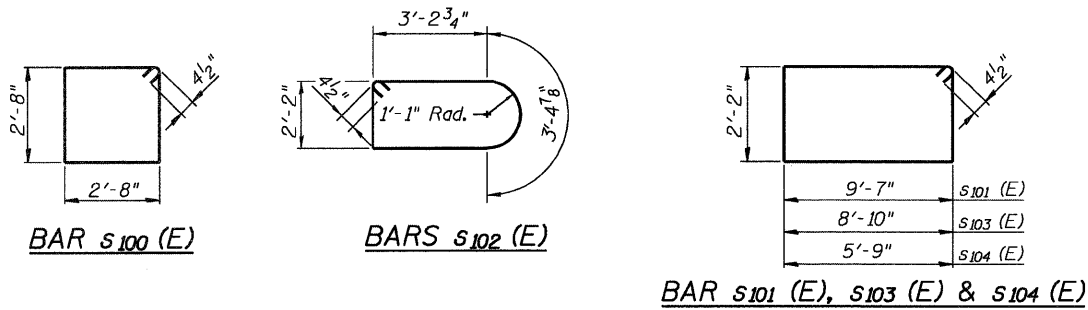
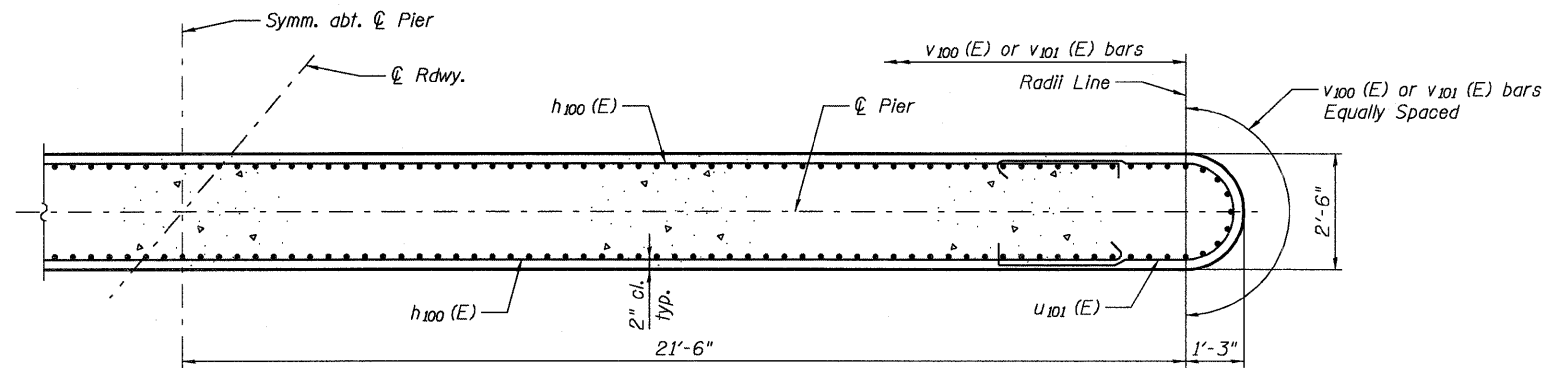


P:\0326703\000cadd\09str\steel fabrication drawings\039-0074978049-Pier details.dgn

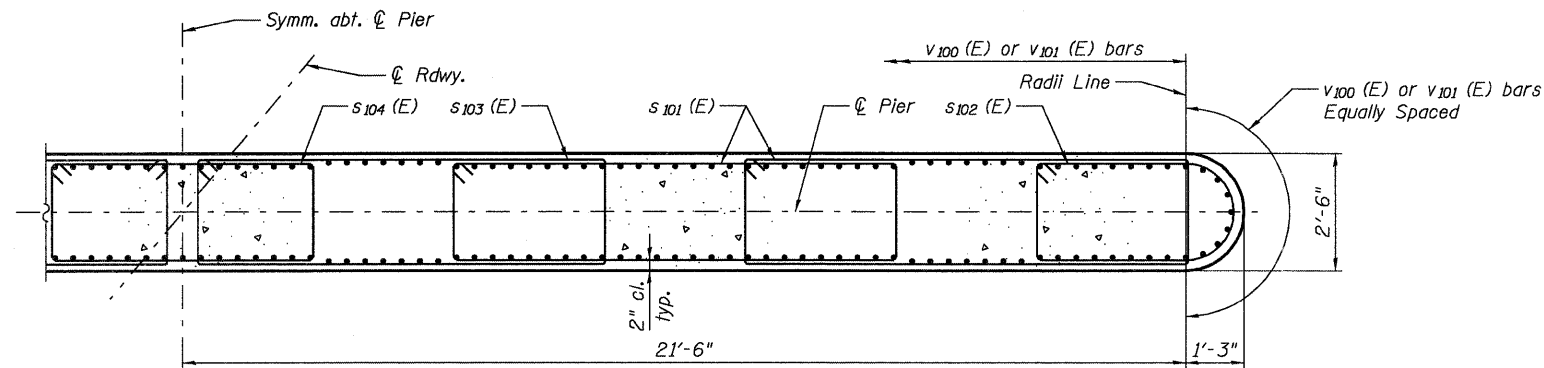


**PIER 1
BILL OF MATERIAL**

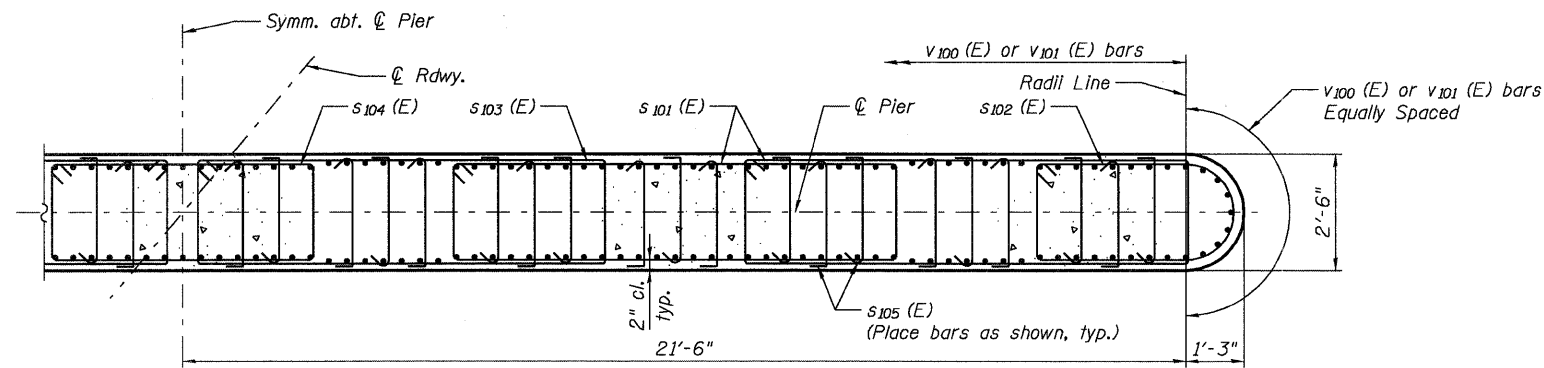
Bar	No.	Size	Length	Shape
h100 (E)	40	#4	40'-10"	—
h101 (E)	6	#7	49'-5"	—
p100 (E)	2	#6	47'-0"	U
p101 (E)	8	#6	43'-0"	—
s100 (E)	43	#4	11'-5"	□
s101 (E)	160	#4	24'-3"	□
s102 (E)	80	#4	12'-10"	□
s103 (E)	80	#4	22'-9"	□
s104 (E)	40	#4	16'-7"	□
s105 (E)	720	#4	2'-11"	U
t100 (E)	84	#9	24'-10"	—
t101 (E)	84	#7	24'-10"	—
u100 (E)	8	#6	11'-3"	U
u101 (E)	40	#4	12'-2"	U
u102 (E)	6	#7	24'-8"	—
v100 (E)	236	#11	29'-5"	—
w100 (E)	36	#7	57'-0"	—
Concrete Structures	Cu. Yd.		238.8	
Reinforcement Bars, Epoxy Coated	Pound		62,220	
Furnishing - Piles, HP14x73	Foot		980	
Driving Piles	Foot		980	
Test Pile, HP14x73	Each		1	
Pile Shoes	Each		21	



SECTION A-A

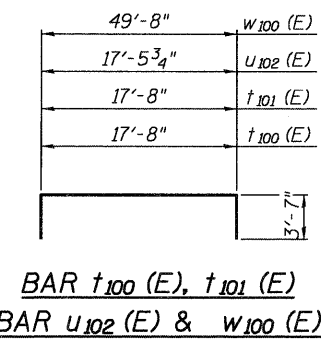


SECTION B-B

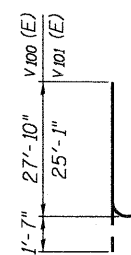


SECTION C-C

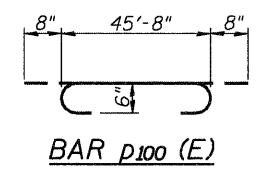
Note: Place 90° leg of s105 (E) bar on opposite side of pier every other layer.



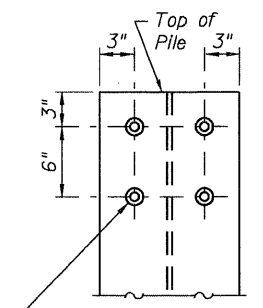
**BAR t100 (E), t101 (E)
BAR u102 (E) & w100 (E)**



BAR v100 (E) & v101 (E)



BAR p100 (E)



4-3/4" x 4" Granular or solid flux filled headed studs automatically end welded (Typ. each flange, each pile)

SEISMIC PILE DETAIL

Cost of 3/4" φ studs shall be included in item "Furnishing Steel Piles, HP14x73".

**PIER 2
BILL OF MATERIAL**

Bar	No.	Size	Length	Shape
h100 (E)	34	#4	40'-10"	—
h101 (E)	6	#7	49'-5"	—
p100 (E)	2	#6	47'-0"	U
p101 (E)	8	#6	43'-0"	—
s100 (E)	43	#4	11'-5"	□
s101 (E)	144	#4	24'-3"	□
s102 (E)	72	#4	12'-10"	□
s103 (E)	72	#4	22'-9"	□
s104 (E)	36	#4	16'-7"	□
s105 (E)	720	#4	2'-11"	U
t100 (E)	84	#9	24'-10"	—
t101 (E)	84	#7	24'-10"	—
u100 (E)	8	#6	11'-3"	U
u101 (E)	34	#4	12'-2"	U
u102 (E)	6	#7	24'-8"	—
v101 (E)	236	#11	26'-8"	—
w100 (E)	36	#7	57'-0"	—
Concrete Structures	Cu. Yd.		227.3	
Reinforcement Bars, Epoxy Coated	Pound		58,070	
Furnishing - Piles, HP14x73	Foot		900	
Driving Piles	Foot		900	
Test Pile, HP14x73	Each		1	
Pile Shoes	Each		21	

FOR INFORMATION ONLY

JACOBS	USER NAME =	DESIGNED - B. ERSCHEN	REVISED -	STATE OF ILLINOIS DEPARTMENT OF TRANSPORTATION	PIER DETAILS STRUCTURE NO. 039-0074	F.A.P. RTE. 686	SECTION 114F-1	COUNTY JACKSON	TOTAL SHEETS 24	SHEET NO. 24
	PLOT DATE = 29-SEP-2011	DRAWN - C. SALLADE	REVISED -			SHEET NO. 28 OF 35 SHEETS	CONTRACT NO. 78283	ILLINOIS FED. AID PROJECT		
FILE NAME = 039-0074978049-Pier details.dgn	CHECKED - J. SMITH	REVISED -								