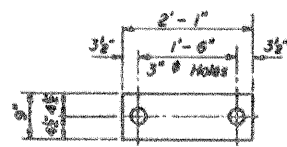


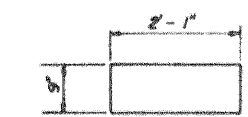
STATE OF ILLINOIS  
DEPARTMENT OF TRANSPORTATION  
DIVISION OF HIGHWAYS

REVISED NO.	SECTION	COUNTY	TOTAL SHEETS	SHEET NO.
10	14BR	SANGAMON	12	8

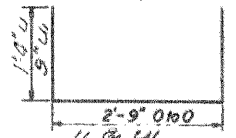
7 SHEETS



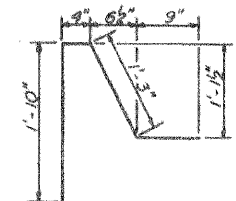
FABRIC BEARING PAD



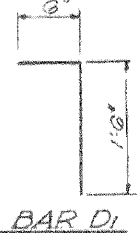
GRAPHITED ASBESTOS BEARING PAD



U & U BARS

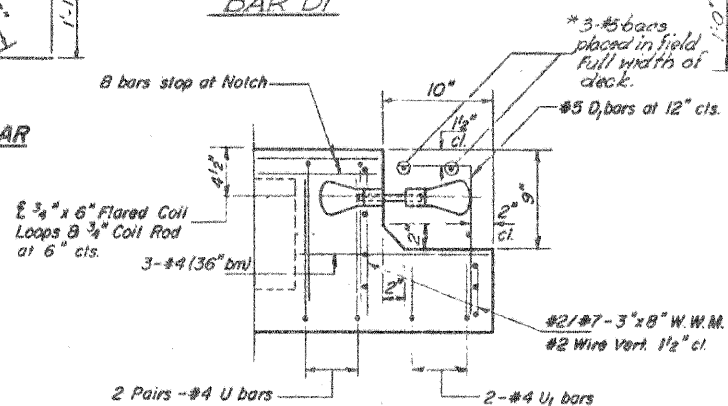


D BAR

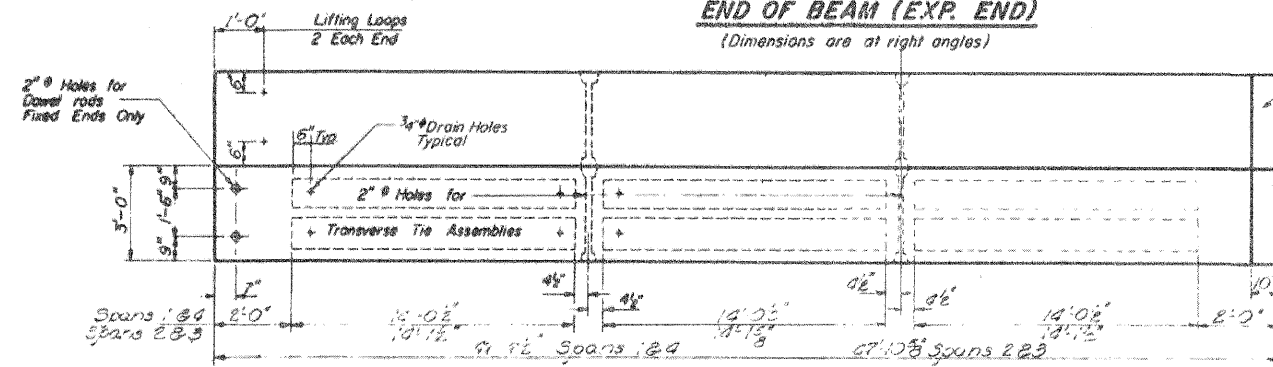


BAR D1

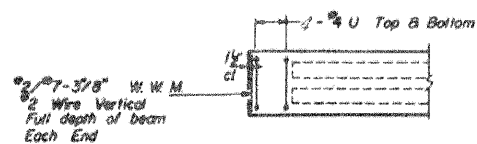
\*Use a bars Stage I Const. or bars Stage II Const.



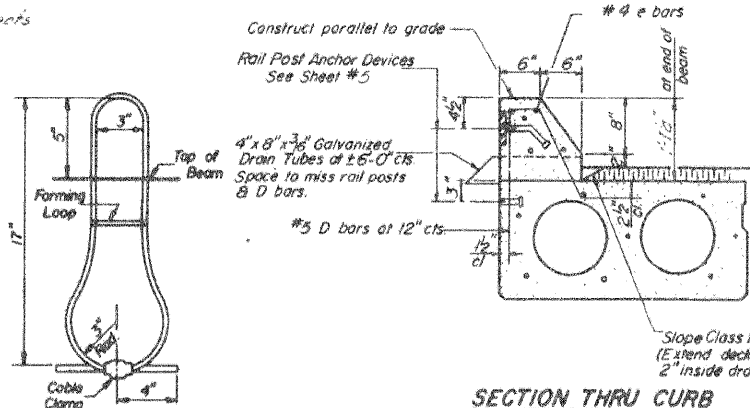
END OF BEAM (EXP. END)  
(Dimensions are at right angles)



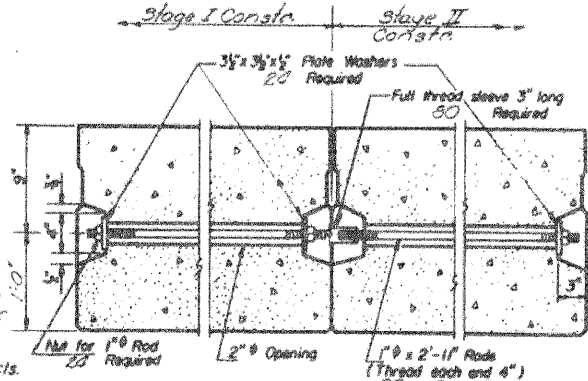
PLAN  
(For location of rail post inserts see sheet #3)



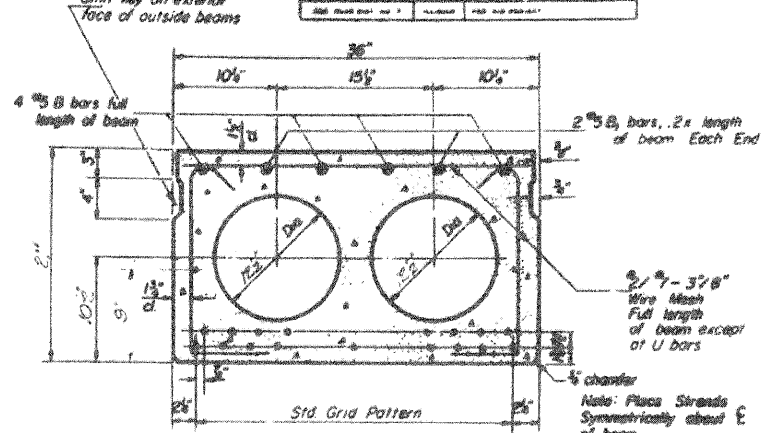
END PLAN  
(Fixed End)



SECTION THRU CURB  
Curbs shall be poured in the field. Class X Concrete & #4 bars for curbs are billed on Sheet #3

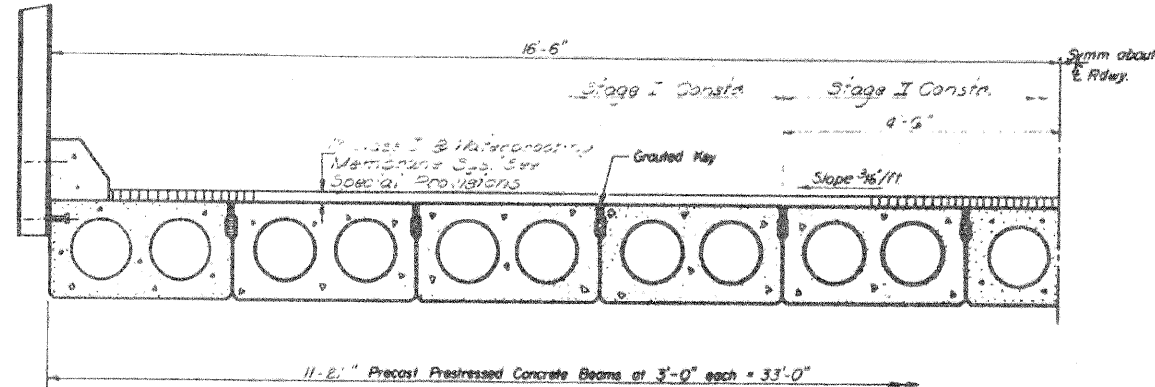


TYPICAL TRANSVERSE TIE ASSEMBLY

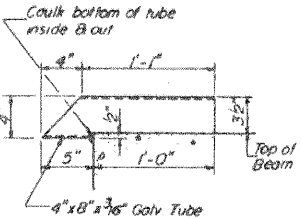


TYPICAL SECTION

1/2" Strands Each Strand Stressed to 21,700 lbs.  
2 Strands 1 1/2" up 8 Strands 3 1/4" up 2 Strands 9" up



HALF CROSS SECTION  
Looking West



DRAIN DETAIL

**GENERAL NOTES**  
Prestressing steel shall be non-galv extra high strength, stress-relieved 7-wire strand. The nominal diameter shall be 3/8" and the nominal cross-sectional area shall be 0.15 sq. in. Lifting loops shall be 3/8" diameter, 6x19 class wire rope with fiber core and shall have a minimum ultimate tensile strength of 23,000 lbs. The 1" rods in the transverse tie assembly shall be tightened to a snug fit and the threads set. Pockets that receive transverse tie bar on outside beam shall be filled with grout after transverse tie assembly is in place. Longitudinal shear keys shall be packed with a very dry mix of 2-1 sand and P.C. mortar. After beams have been erected, holes for the dowel anchors shall be drilled into the sub-structure and the anchor dowels shall be grouted in place. Dowel rods shall be AASNO M227 or AASNO M31. Transverse tie rods shall be AASNO M227, Grade 70-80. After fabrication the transverse tie assemblies (tie rods, nuts, washers and sleeves) shall be hot-dipped galvanized in accordance with AASNO M 232. Cost of reinforcement and accessories cast into the beam, of bearing girders, of corner angles, and of grouting longitudinal shear keys is included in unit price bid for "Precast Prestressed Concrete Deck Beams".

BILL OF MATERIAL

Bar	No.	Size	Length	Shape
a	12	#5	13'-0"	
a1	12	#5	21'-3"	
Structural Steel		Lbs		6304
Precast Prestressed Concrete Deck Beams (21')		Sq. Ft		6303
Class X Concrete		Cu. Yds		3.0
Reinforcement Bars		Lbs		430

SUPERSTRUCTURE  
F.A.S. RT. 550 SEC. 14BR  
SANGAMON COUNTY  
STA. 212+90.00

DESIGNED: [Signature]  
CHECKED: [Signature]  
DRAWN: [Signature]  
CHECKED: [Signature]

EXAMINED: [Signature] Aug 17 1972  
PASSED: [Signature]  
APPROVED: [Signature]

W-SR-1 (11-15-71)