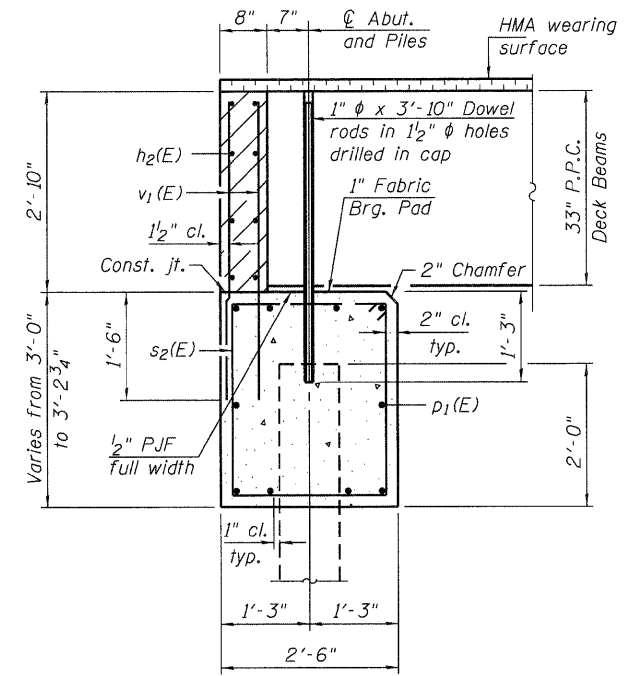
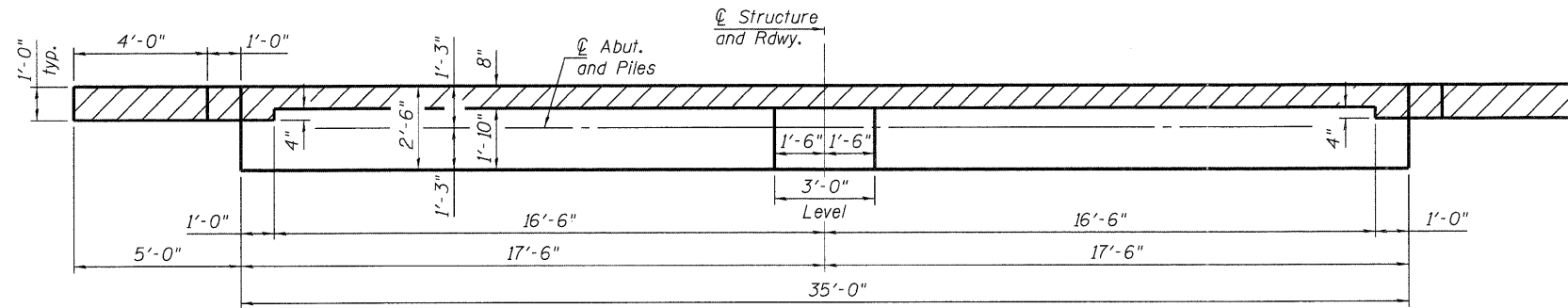


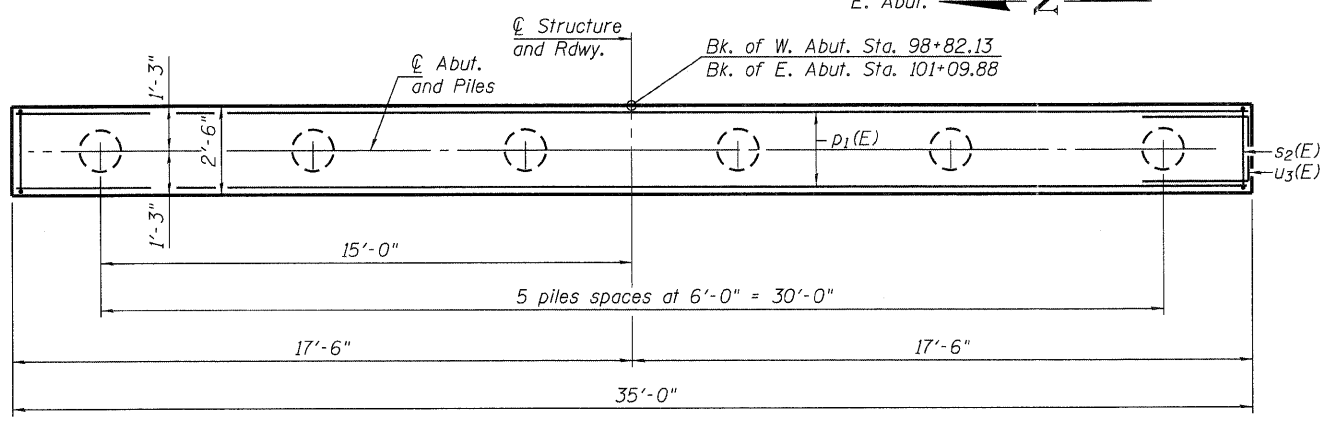
ELEVATION



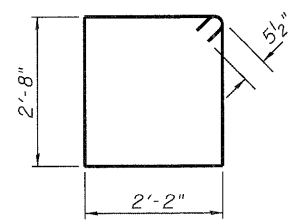
SECTION THRU ABUTMENT



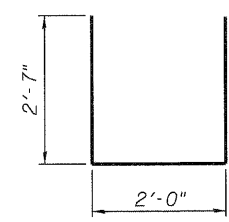
TOP VIEW



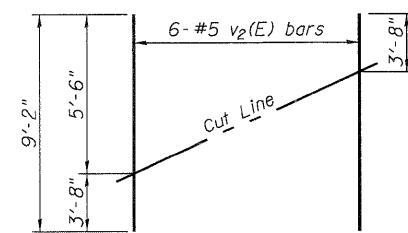
PLAN



BAR s2(E)



BAR u3(E)



FIELD CUTTING DIAGRAM

Order v2(E) bars full length. Cut as shown and use remainder of bars in opposite face.

**BILL OF MATERIAL
TWO ABUTMENTS**

Bar	No.	Size	Length	Shape
h2(E)	16	#5	34'-9"	—
h3(E)	64	#5	8'-6"	—
p1(E)	20	#7	34'-9"	—
s2(E)	72	#5	10'-7"	□
u3(E)	16	#6	7'-2"	—
v1(E)	144	#5	4'-2"	—
v2(E)	24	#5	9'-2"	—
Structure Excavation		Cu. Yd.	210	
Concrete Structures		Cu. Yd.	27.1	
Reinforcement Bars, Epoxy Coated		Pound	4,390	
Furnishing Metal Shell Piles 14" x 0.312"		Foot	565	
Driving Piles		Foot	565	
Test Pile Metal Shells		Each	1	

PILE DATA - W. ABUT.

Type: Metal Shell 14" ϕ x 0.312" walls
 Nominal Required Bearing: 291 kips
 Factored Resistance Available: 160 kips
 Est. Length: 53 ft.
 No. Production Piles: 5
 No. Test Piles: 1

PILE DATA - E. ABUT.

Type: Metal Shell 14" ϕ x 0.312" walls
 Nominal Required Bearing: 291 kips
 Factored Resistance Available: 160 kips
 Est. Length: 50 ft.
 No. Production Piles: 6

Notes:

The hatched area shall be poured after the beams are in place. The backwall shall be cast against the beams. Cast top of wingwall flush with exterior beam face after beams have been erected.
 Dowel rods to be grouted after beams are in place and allowed to cure (Min. 24 hrs.) prior to grouting the shear keys. Cost shall be included in the cost of Precast Prestressed Concrete Deck Beams (33" Depth).
 For details of piles and Concrete Encasement, see sheet 9 of 11.
 If pile interferes with dowel embedment, reduce dowel embedment so dowel is at the top of the pile (min. embedment = 1'-0").

USER NAME = dheber.ling	DESIGNED - TJZ	REVISED -
FILE NAME = 06.SN0840488.dgn	CHECKED - SDS	REVISED -
PLOT DATE = 9/7/2011	DRAWN - DLH	REVISED -
PLOT TIME = 11:11:28 AM	CHECKED - TJZ/SDS	REVISED -

WHKS & CO.
 ENGINEERING
 7018 KINGSMILL CT.,
 SPRINGFIELD, IL
 (217) 483-9457
 DESIGN FIRM #184001036

STATE OF ILLINOIS
 DEPARTMENT OF TRANSPORTATION

ABUTMENTS
 STRUCTURE NO. 084-0480
 SHEET NO. 6 OF 11 SHEETS

F.A.S. RTE.	SECTION	COUNTY	TOTAL SHEETS	SHEET NO.
556	08-00119-04-BR	SANGAMON	25	13
CONTRACT NO. 93556			ILLINOIS FED. AID PROJECT	