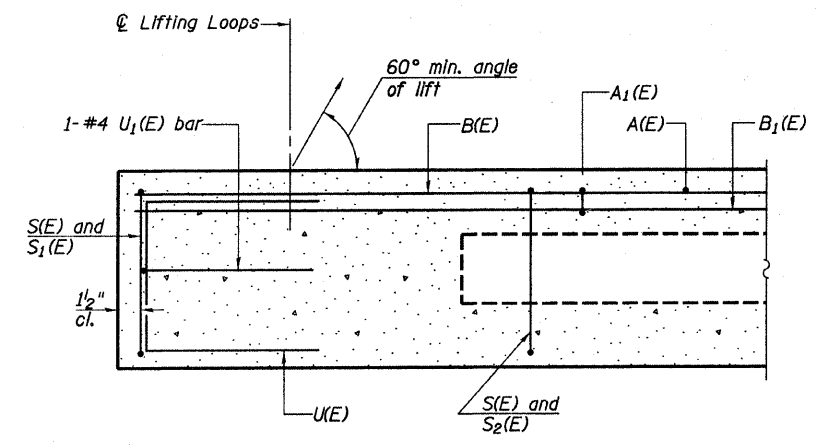
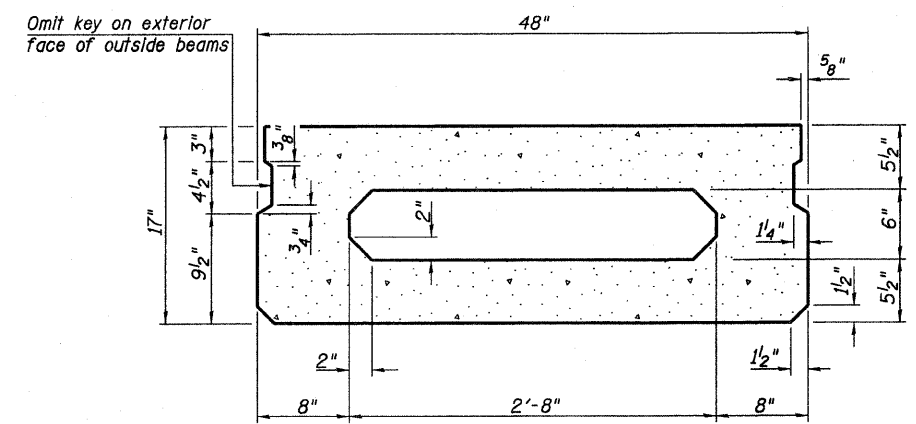


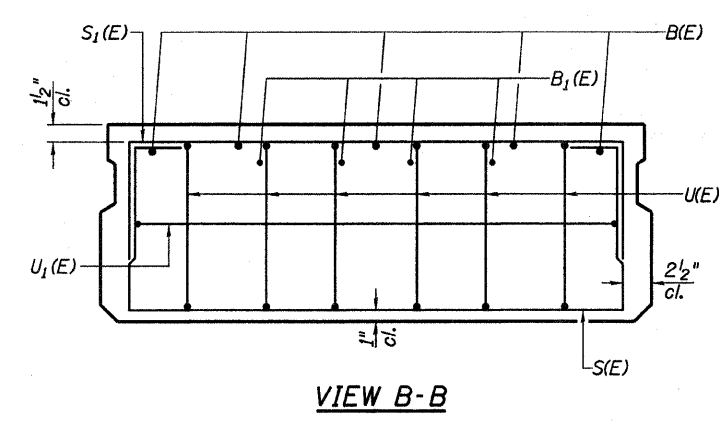
CONTRACT NO.



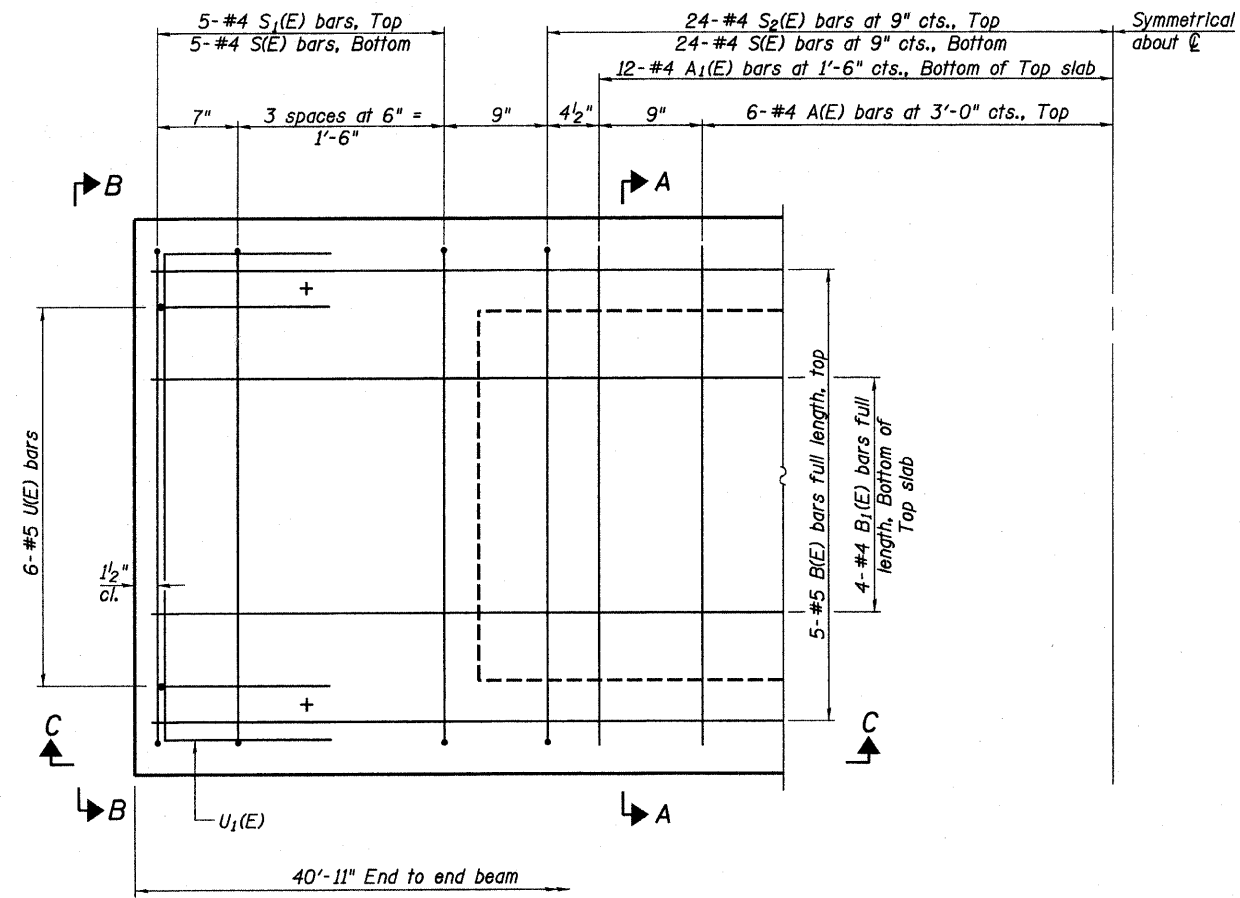
SECTION C-C



SECTION A-A
(Showing dimensions)

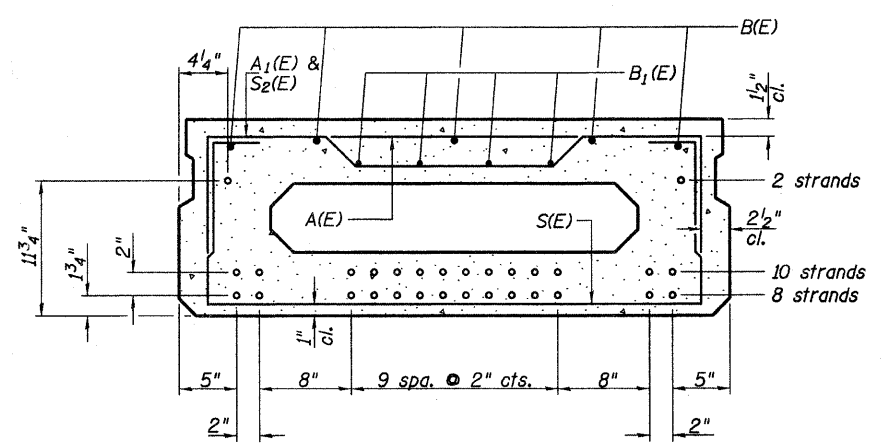


VIEW B-B



PLAN VIEW

Note: Spacing of S(E) and S₂(E) bars may be adjusted up to 4" in the immediate area of the transverse tie diaphragms to miss the block outs for the transverse ties.



SECTION A-A

(Showing reinforcement and permissible strand locations)
Note: Place the number of strands specified in each row symmetrically about the centerline of beam in the permissible strand locations shown.

Strands: 20 - 1/2" strands.

BAR LIST
ONE BEAM ONLY
(For information only)

Bar	No.	Size	Length	Shape
A(E)	12	#4	3'-7"	—
A ₁ (E)	24	#4	3'-10"	—
B(E)	5	#5	40'-7"	—
B ₁ (E)	4	#4	40'-7"	—
S(E)	58	#4	6'-9"	□
S ₁ (E)	10	#4	5'-3"	□
S ₂ (E)	48	#4	5'-6"	□
U(E)	12	#5	3'-8"	□
U ₁ (E)	2	#4	6'-0"	□

Note: See sheet 9 of 12 for additional details.
See sheet 4 of 12 for Bill of Material.