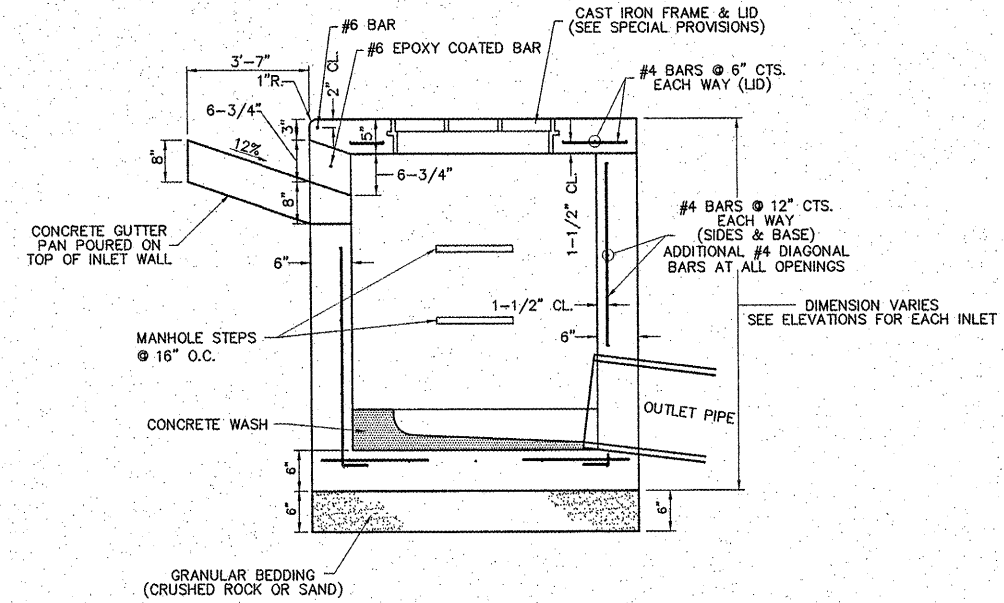
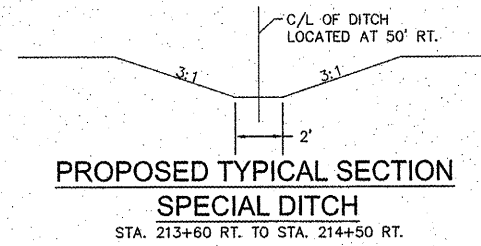


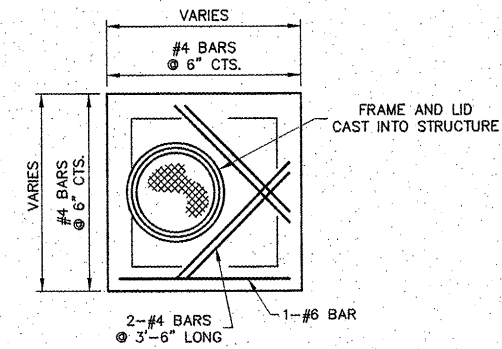
**TYPICAL SECTION
RIPRAP DITCH - DETAIL A**
NO SCALE



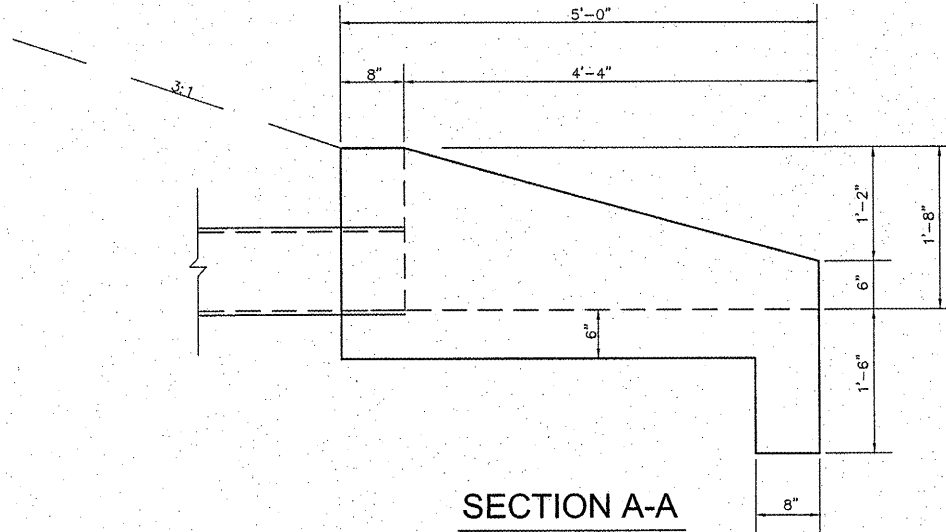
SECTION A-A
NO SCALE



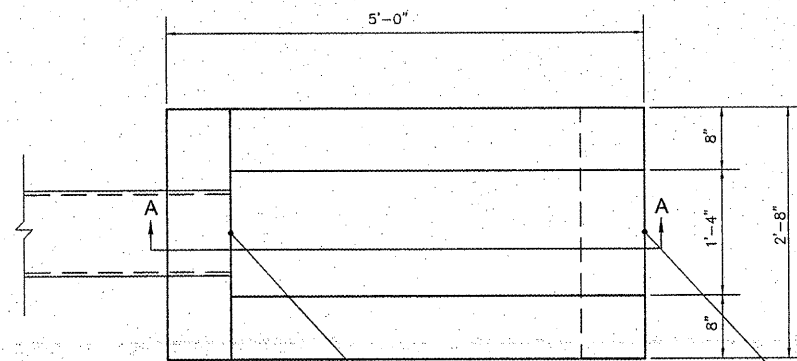
**PROPOSED TYPICAL SECTION
SPECIAL DITCH**
STA. 213+60 RT. TO STA. 214+50 RT.



CONCRETE LID
NO SCALE



SECTION A-A



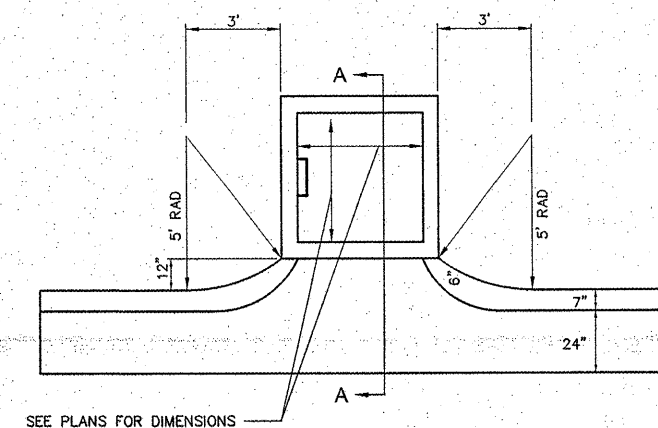
**CAST-IN-PLACE REINFORCED
CONCRETE END SECTIONS, 10"**
PLAN

STA. 194+33.67, F.L.=591.60
STA. 193+94.17, F.L.=591.44

STA. 194+38, F.L.=591.64
STA. 193+89.84, F.L.=591.42

**CAST-IN-PLACE REINFORCED
CONCRETE END SECTIONS, 10" NOTES**

- NO.4 STEEL REINFORCING BARS SHALL BE PROVIDED AS SHOWN IN HIGHWAY STANDARD 542001 EXCEPT THE NUMBER OF BARS AND LENGTHS SHALL BE ADJUSTED TO MATCH THE GEOMETRY SHOWN IN THESE DETAILS.
- THE CONTRACTOR SHALL HAVE THE OPTION TO PRECAST THE END SECTIONS. IF END SECTIONS ARE PRECAST, THE TOE WALLS SHALL BE CAST-IN-PLACE AND THE b1 ANGLE BARS SHALL BE EPOXY COATED AND CAST INTO THE FLOOR.



INLET BOX, SPECIAL PLAN
NO SCALE

REVISIONS

Sheppard, Morgan & Schwaab, Inc.
CONSULTING ENGINEERS AND LAND SURVEYORS
215 Market Street, P.O. Box E, Alton, IL 62002 618462-2755 E-mail: mail@smsengineers.com
10 Central Industrial Drive, Granite City, IL 62040 618677-5700 E-mail: mail@smsengineers.com
DESIGN FIRM # 184-CC0592



VILLAGE OF GODFREY, ILLINOIS
SECTION 04-00019-00-PV
CROSSTOWN ROAD - PHASE 1 A
CONSTRUCTION DETAILS

DWG. NO. GCTR ROADWAY DETAILS.dwg
REF. BK. PG. --
JOB NO. 237334
DSN. BY: DEG
DWN. BY: CAD
CHK. BY: DEG
DATE: APRIL, 2011
SCALE: AS SHOWN
SHEET 20 OF 38