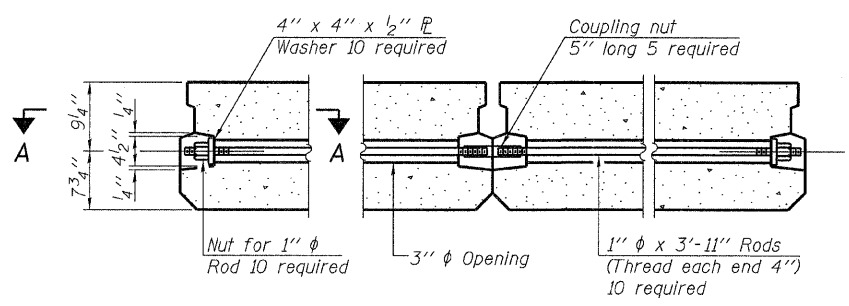


FABRIC BEARING PAD
(Interior - 10 Req'd.)

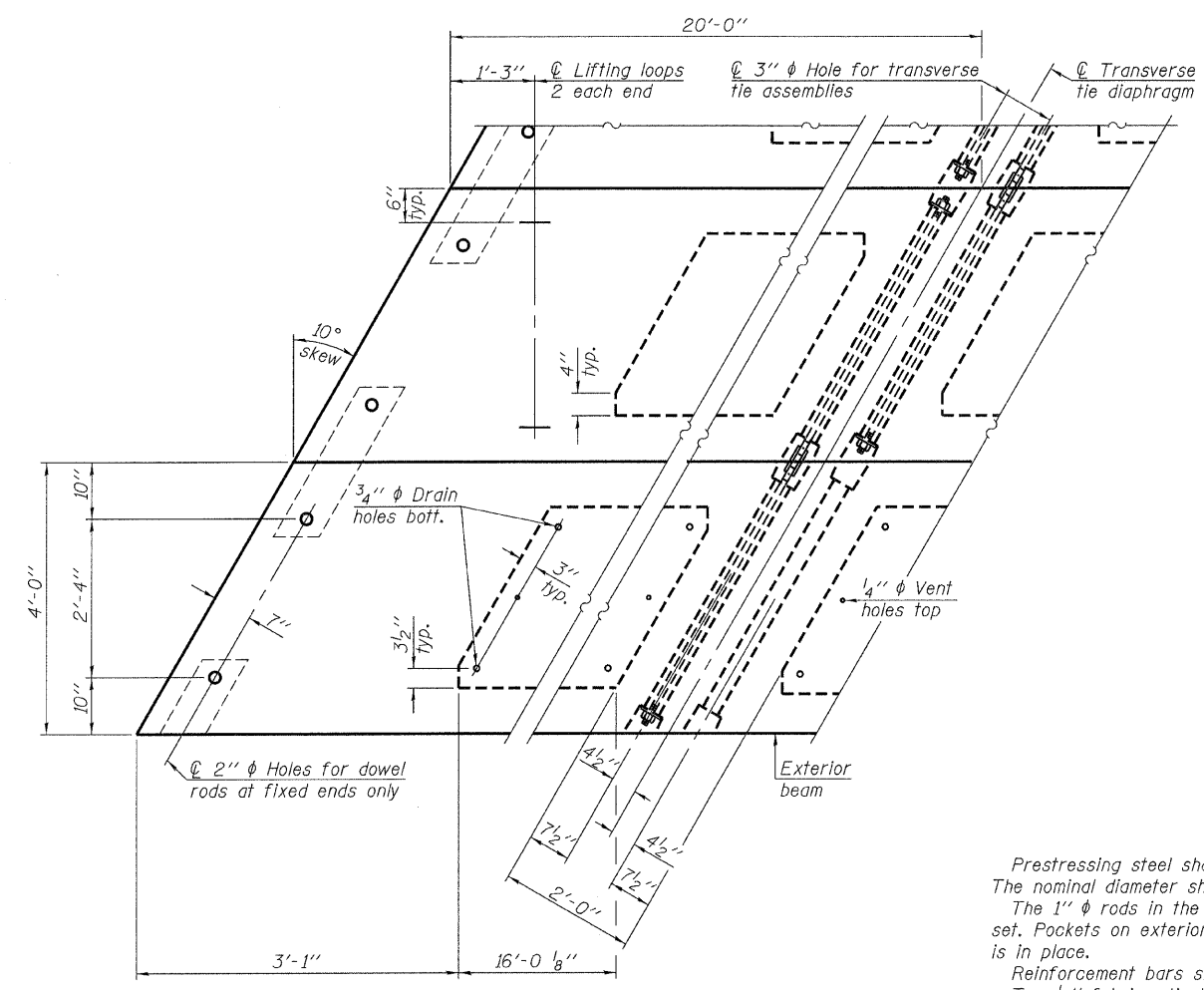
FABRIC BEARING PAD
(Exterior - 4 Req'd.)

Notes:
All bearing pads shall be 1" thick.
Omit holes when using expansion bearings.
Expansion bearing pad shall be bonded to the substructure.

SECTION A-A



TYPICAL TRANSVERSE TIE ASSEMBLY



PLAN VIEW

Note: Connect beams in pairs with the transverse tie configuration shown.

DESIGNED	- A.S.L.
CHECKED	- S.W.M.
DRAWN	- D.A.B.
CHECKED	- S.W.M.

PD-1748-LD 11-1-09

NOTES

Prestressing steel shall be uncoated high strength, low relaxation 7-wire strand, Grade 270. The nominal diameter shall be 1/2" and the nominal cross-sectional area shall be 0.153 sq. in. The 1" rods in the transverse tie assembly shall be tightened to a snug fit and the threads set. Pockets on exterior faces of bridge shall be filled with grout after transverse tie assembly is in place.

Reinforcement bars shall conform to ASTM A 706, Grade 60. (See Special Provisions). Two 1/8" fabric adjusting shims of the dimensions of the exterior bearing pad shall be provided for each bearing pad location.

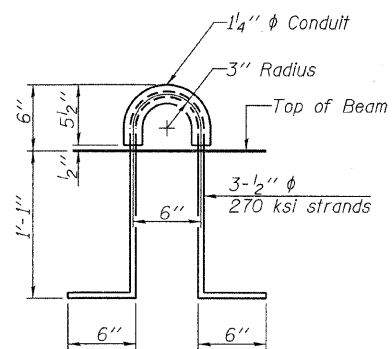
A minimum 2 1/2" phi lifting pin shall be used to engage the lifting loops during handling.

Corrosion Inhibitor, per Article 1020.05(b)(12) and 1021.06 of the Standard Specifications, shall be used in the concrete for precast prestressed concrete deck beams.

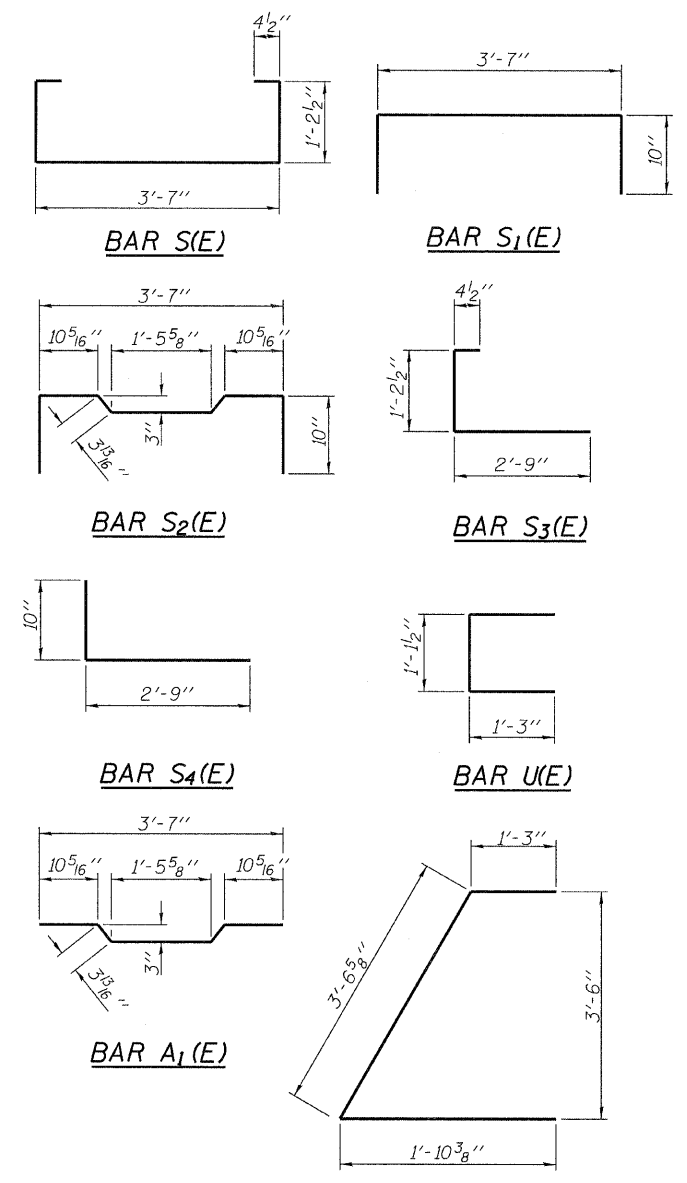
Compressive strength of prestressed concrete, f'c, shall be 6000 psi.

Compressive strength of prestressed concrete at release, f'ci, shall be 5000 psi.

All bars shall be epoxy coated.



LIFTING LOOP DETAIL



BILL OF MATERIAL

Precast Prestressed Conc. Deck Bms. (17" depth)	Sq. Ft.	960
-------------------------------------------------	---------	-----

SUPERSTRUCTURE DETAILS
17" X 48" PPC DECK BEAM
STRUCTURE NO. 028-3406

HAMPTON, LENZINI AND RENWICK, INC.
CIVIL ENGINEERS - STRUCTURAL ENGINEERS - LAND SURVEYORS
3085 STEVENSON DRIVE, SUITE 201
SPRINGFIELD, ILLINOIS 62703
217.546.3400 www.hlrenwicking.com

HLR

194.00969
ILLINOIS PROFESSIONAL DESIGN FIRM LS / PE / SE CORPORATION

PROJECT NUMBER: 09.0150.130 DATE: 02/07/11

T.R.	SECTION	COUNTY	TOTAL SHEETS	SHEET NO.
272	08-02136-00-BR	FRANKLIN	16	11
BENTON ROAD DISTRICT		CONTRACT NO. 99426		
FED. ROAD DIST. NO.		ILLINOIS FED. AID PROJECT BROS-0055(061)		