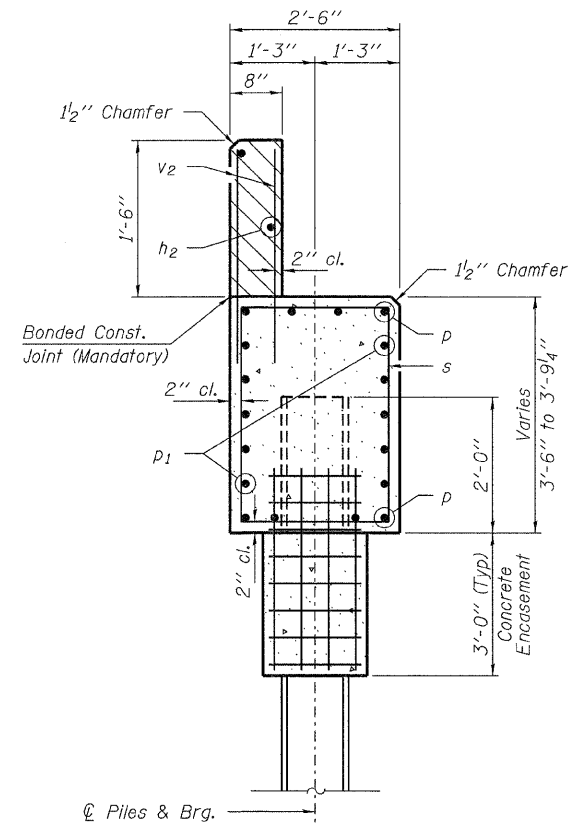
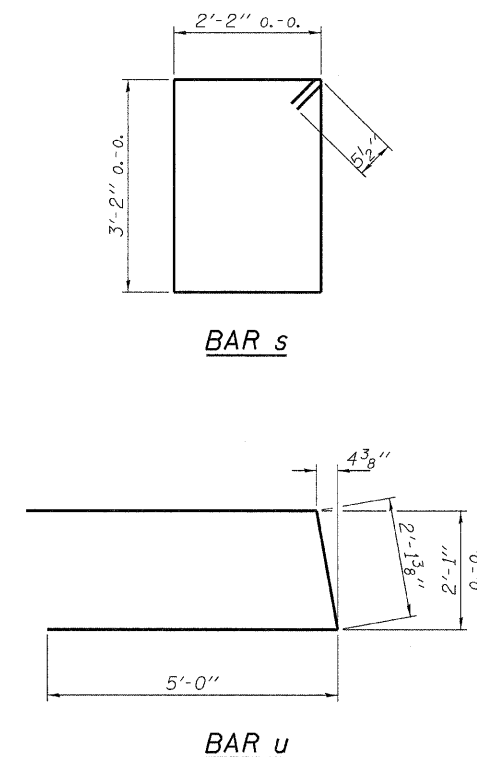


PLAN



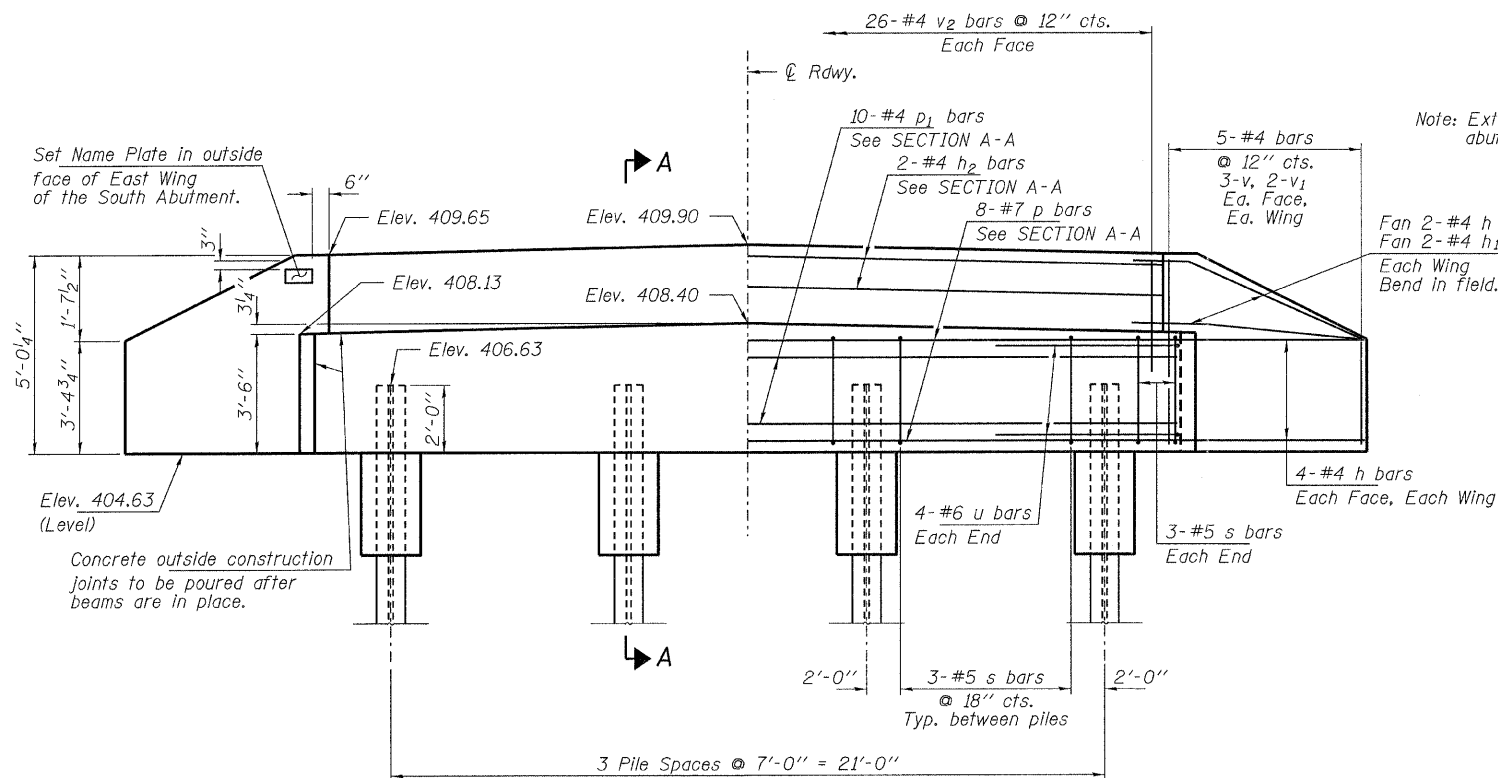
SECTION A-A

Hatched area to be poured after beams are in place.



BAR s

BAR u



ELEVATION

Note: Extend h bars into abutment cap.

PILE DATA

Type ----- Steel HP10x42
 No. Req'd. (2 Abuts.) ----- 8
 Allowable Resistance Available ----- 167 Kips/Pile
 Nominal Req'd Bearing ----- 335 Kips/Pile
 Est. Length ----- 35 Ft/Pile - South Abut.
 40 Ft/Pile - North Abut.

Notes: The Steel H-Piles shall be according to AASHTO M270 Grade 50.

BILL OF MATERIAL - 2 ABUTS.

BAR	NO.	SIZE	LENGTH	SHAPE
h	40	#4	5'-6"	—
h ₁	8	#4	4'-0"	—
h ₂	4	#4	25'-7"	—
p	16	#7	25'-7"	—
p ₁	20	#4	25'-7"	—
s	30	#5	11'-7"	□
u	16	#6	12'-2"	—
v	24	#4	4'-2"	—
v ₁	16	#4	3'-2"	—
v ₂	104	#4	2'-4"	—
Concrete Structures			Cu. Yd.	21.8
Concrete Encasement			Cu. Yd.	2.8
Reinforcement Bars			Pound	2,330
Steel Piles HP10x42			Foot	300
Name Plates			Each	1

ABUTMENTS
 STRUCTURE NO. 028-3406

DESIGNED	- A.S.L.
CHECKED	- S.W.M.
DRAWN	- D.A.B.
CHECKED	- S.W.M.

HAMPTON, LENZINI AND RENWICK, INC.
 CIVIL ENGINEERS • STRUCTURAL ENGINEERS • LAND SURVEYORS
 3085 STEVENSON DRIVE, SUITE 201
 SPRINGFIELD, ILLINOIS 62703
 217.546.3400 www.hlrengineering.com

154 02085
 ILLINOIS PROFESSIONAL DESIGN FIRM LS / PE / SE CORPORATION

PROJECT NUMBER: 09.0150.130 DATE: 02/07/11

T.R.	SECTION	COUNTY	TOTAL SHEETS	SHEET NO.
272	08-02136-00-BR	FRANKLIN	16	14
BENTON ROAD DISTRICT		CONTRACT NO. 99426		
FED. ROAD DIST. NO.	ILLINOIS	FED. AID PROJECT	BROS-0055(061)	