

STATE OF ILLINOIS
DEPARTMENT OF TRANSPORTATION

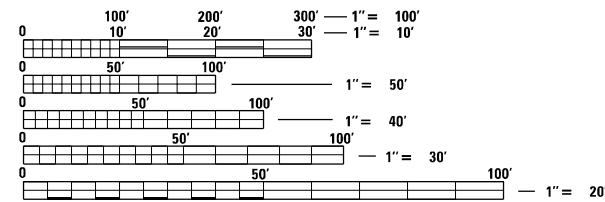
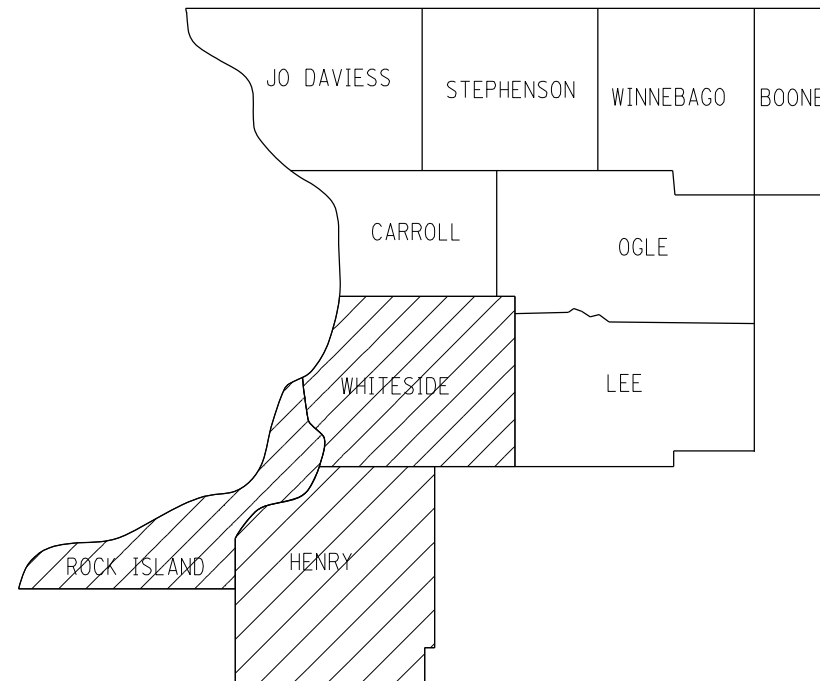
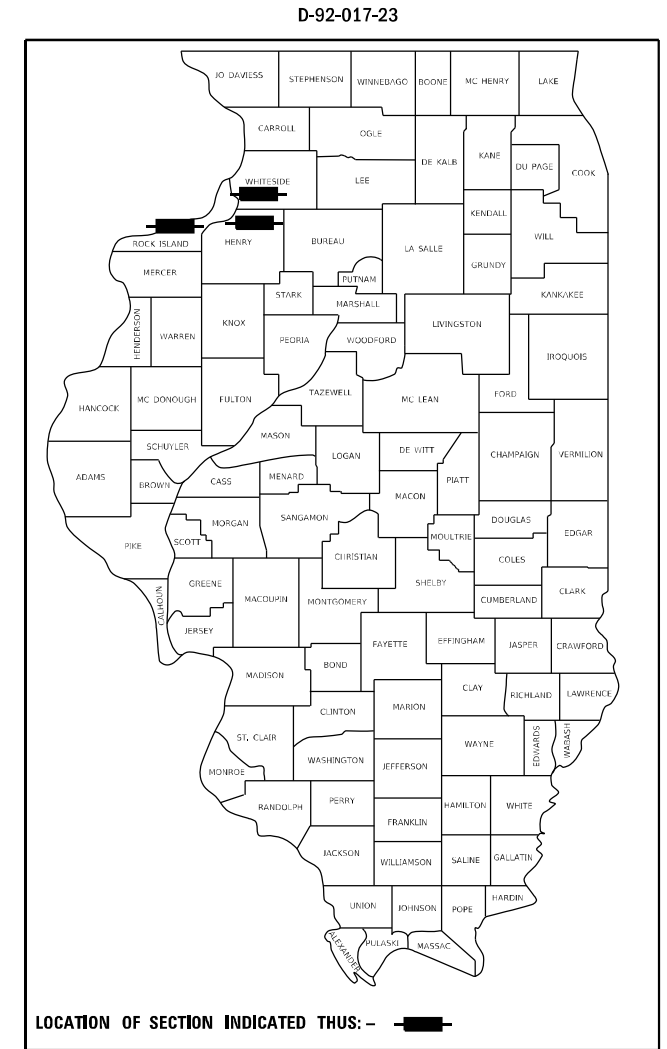
F.A. RTE.	SECTION	COUNTY	TOTAL SHEETS	SHEET NO.
VAR.	D2 BC 2023-3	VARIOUS	11	1
		ILLINOIS	CONTRACT NO. 64R82	

FOR INDEX OF SHEETS, SEE SHEET NO. 2
FOR STATE STANDARDS, SEE SHEET NO. 2

PROPOSED
HIGHWAY PLANS

VARIOUS ROUTES
SECTION: D2 BC 2023-03
PROJECT: NHPP-4WMK(327)
TYPE of IMPROVEMENT: BRIDGE WASHING
VARIOUS COUNTIES

C-92-106-22



FULL SIZE PLANS HAVE BEEN PREPARED USING STANDARD ENGINEERING SCALES, REDUCED SIZED PLANS WILL NOT CONFORM TO STANDARD SCALES. IN MAKING MEASUREMENTS ON REDUCED PLANS, THE ABOVE SCALES MAY BE USED.

J.U.L.I.E.
JOINT UTILITY LOCATION INFORMATION FOR EXCAVATION
1-800-892-0123
OR 811

PROJECT ENGINEER: DAVID DOSS (815) 284-5416
PROJECT MANAGER: MAHMOUD ETEMADI (815) 284-5393

CONTRACT NO. 64R82

STATE OF ILLINOIS
DEPARTMENT OF TRANSPORTATION

SUBMITTED Aug 15, 2022

David Doss
REGIONAL ENGINEER

October 14, 2022
Scott A. Elk
ENGINEER OF DESIGN AND ENVIRONMENT

October 14, 2022
Stephen M. Smith
DIRECTOR OF HIGHWAYS PROJECT IMPLEMENTATION

PRINTED BY THE AUTHORITY
OF THE STATE OF ILLINOIS

INDEX OF SHEETS

- 1 COVER SHEET
- 2 INDEX OF SHEETS & STATE STANDARDS
- 3 SUMMARY OF QUANTITIES
- 4 SCHEDULE OF QUANTITIES
- 5 LOCATION MAP HENRY COUNTY
- 6 LOCATION MAP ROCK ISLAND COUNTY
- 7 LOCATION MAP WHITESIDE COUNTY
- 8-11 DISTRICT STANDARD 38.1

STATE STANDARDS

- 701006-05 OFF-ROAD OPERATIONS, 2L, 2W, 15'(4.5m) TO 24" (600mm) FROM PAVEMENT EDGE
- 701101-05 OFF-ROAD OPERATIONS, MULTILANE, 15'(4.5m) TO 24"(600mm) FROM PAVEMENT EDGE
- 701400-11 APPROACH TO LANE CLOSURE, FREEWAY/EXPRESSWAY
- 701406-13 LANE CLOSURE, FREEWAY/EXPRESSWAY, DAY OPERATIONS ONLY
- 701411-09 LANE CLOSURE, MULTILANE, AT ENTRANCE OR EXIT RAMP, FOR SPEEDS > 45 MPH
- 701501-06 URBAN LANE CLOSURE, 2L, 2W, UNDIVIDED
- 701428-01 TRAFFIC CONTROL SETUP AND REMOVAL FREEWAY/EXPRESSWAY
- 701901-08 TRAFFIC CONTROL DEVICES
- 720011-01 METAL POSTS FOR SIGNS, MARKERS AND DELINEATORS
- 728001-01 TELESCOPING STEEL SIGN SUPPORT
- 729001-01 APPLICATIONS OF TYPES A & B METAL POSTS (FOR SIGNS & MARKERS)

MODEL: Default
 FILE: \\mfs1-pw.bentley.com:PWIDOT\Documents\DOT Offices\District 2\Project\Operations\Bridge Section\Bridge Washing Contracts\2023\64R82 Bridge Washing over Rock River (6)CAD\64R82-plt-cover.dgn

USER NAME = David.Doss	DESIGNED - _____	REVISED - _____	STATE OF ILLINOIS DEPARTMENT OF TRANSPORTATION	INDEX OF SHEETS & STATE STANDARDS	F.A. RTE.	SECTION	COUNTY	TOTAL SHEETS	SHEET NO.	
PLOT SCALE = 100.0000' / in.	DRAWN - _____	REVISED - _____			VAR.	D2 BC 2023-3	VARIOUS	11	2	
PLOT DATE = Jun-07-2022 09:43:20 AM	CHECKED - _____	REVISED - _____			CONTRACT NO. 64R82					
	DATE - _____	REVISED - _____			ILLINOIS FED. AID PROJECT					
			SCALE: _____		SHEET ____ OF ____ SHEETS		STA. _____ TO STA. _____			

SUMMARY OF QUANTITIES

Paycode	Description	Units	0047 NHPP - FLEX 90% FEDERAL 10% STATE	Total
59200101	BRIDGE WASHING NO. 1	EACH	1	1
59200102	BRIDGE WASHING NO. 2	EACH	1	1
59200103	BRIDGE WASHING NO. 3	EACH	1	1
59200104	BRIDGE WASHING NO. 4	EACH	1	1
59200105	BRIDGE WASHING NO. 5	EACH	1	1
59200106	BRIDGE WASHING NO. 6	EACH	1	1
67100100	MOBILIZATION	L SUM	1	1
70100420	TRAFFIC CONTROL AND PROTECTION, STANDARD 701411	EACH	4	4
70100700	TRAFFIC CONTROL AND PROTECTION, STANDARD 701406	L SUM	1	1
70102620	TRAFFIC CONTROL AND PROTECTION, STANDARD 701501	L SUM	1	1

MODEL: Default
FILE: \\aufile-pw-backend.com\PW\DOT\Documents\DOT_Offices\District_2\Project\Operations\Bridge_Section\Bridge_Washing_Contract\2023\6482_Bridge_Washing_over_Rock_River_6482\6482-ht-cover.dgn

USER NAME = David.Doss	DESIGNED - _____	REVISED - _____
PLOT SCALE = 100,0000' / in.	DRAWN - _____	REVISED - _____
PLOT DATE = Jun-07-2022 09:43:27 AM	CHECKED - _____	REVISED - _____
	DATE - _____	REVISED - _____

**STATE OF ILLINOIS
DEPARTMENT OF TRANSPORTATION**

SUMMARY OF QUANTITIES

SCALE: _____ SHEET ____ OF ____ SHEETS STA. _____ TO STA. _____

F.A. RTÉ.	SECTION	COUNTY	TOTAL SHEETS	SHEET NO.
VAR.	D2 BC 2023-3	VARIOUS	11	3
			CONTRACT NO. 6482	
ILLINOIS FED. AID PROJECT				

SCHEDULE OF QUANTITIES

Pay Item	Project Location	SN	Facility Carried	Feature Crossed	Bridge Location	Traffic Control
BRIDGE WASHING NO. 1	1	037-0021	FAI 80 SB	Rock River	At Rock Island Co. Line	701400 701406
BRIDGE WASHING NO. 2		037-0022	FAI 80 NB	Rock River	At Rock Island Co. Line	701400 701406
BRIDGE WASHING NO. 3	2	081-0161	FAI 74 SB	Rock River/ Side Roads	S Edge Moline	701400, 701406, 701411, 701501
BRIDGE WASHING NO. 4		081-0162	FAI 74 NB	Rock River/ Side Roads	S Edge Moline	701400, 701406, 701411, 701501
BRIDGE WASHING NO. 5	3	098-0079	FAI 88	Rock River	3 Mi West of Rock Falls	701400, 701406, 701411
BRIDGE WASHING NO. 6		098-0080	FAI 88	Rock River	3 Mi West of Rock Falls	701400, 701406, 701411

MODEL: Default
 FILE: \\blm1c-pw-bentley.com\P\INDOT\Documents\DOT Office\District 2\Project\Operations\Bridge Section\Bridge Washing Contracts\2023\6482 Bridge Washing over Rock River (6\CAD\6482-bridge.washing.dgn

USER NAME = David.Doss	DESIGNED - _____	REVISED - _____
	DRAWN - _____	REVISED - _____
PLOT SCALE = 100,0000' / in.	CHECKED - _____	REVISED - _____
PLOT DATE = Jul-07-2022 09:43:34 AM	DATE - _____	REVISED - _____

**STATE OF ILLINOIS
DEPARTMENT OF TRANSPORTATION**

SCHEDULE OF QUANTITIES

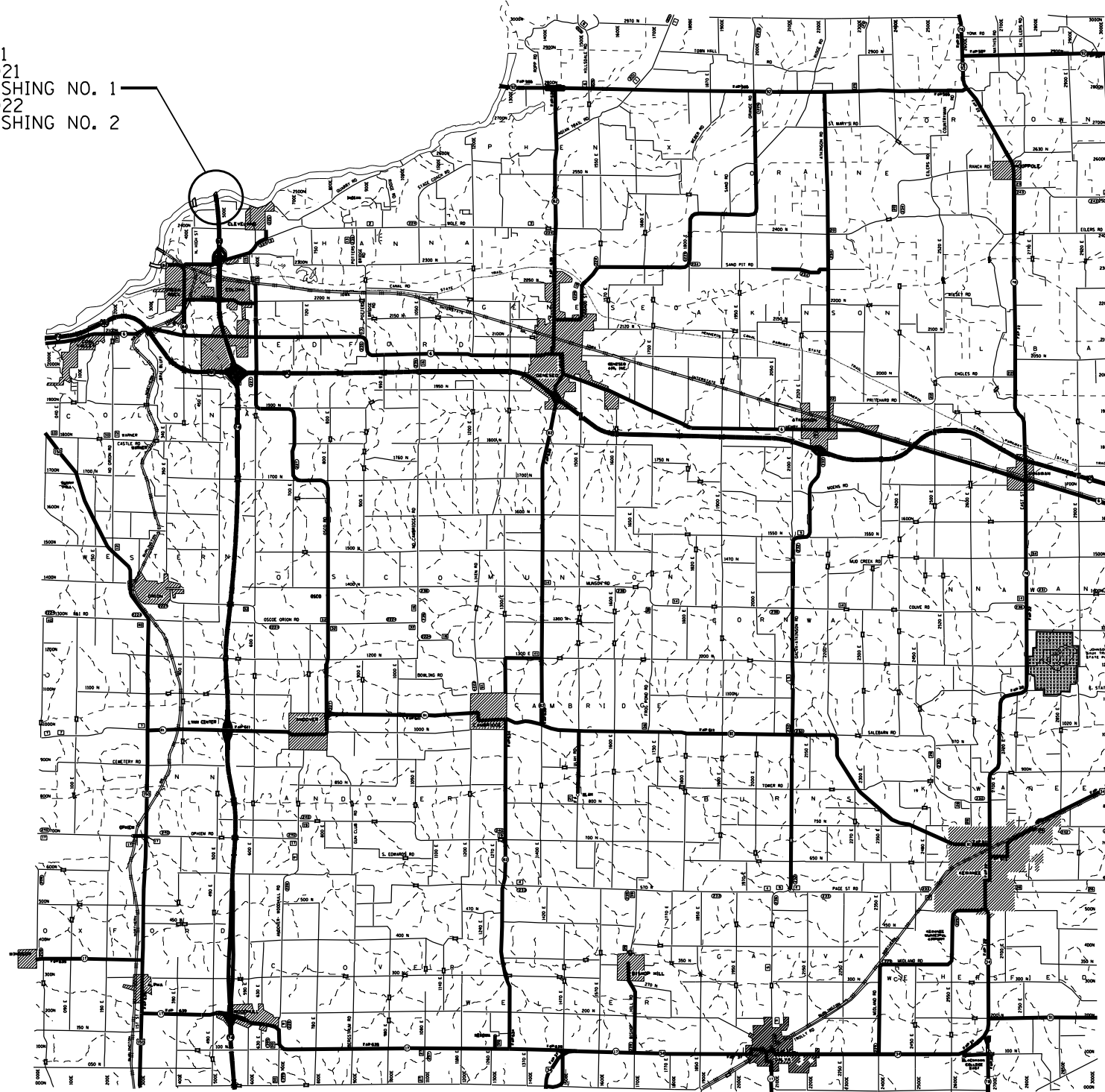
SCALE: _____ SHEET ___ OF ___ SHEETS STA. _____ TO STA. _____

F.A. RTE.	SECTION	COUNTY	TOTAL SHEETS	SHEET NO.
VAR.	D2 BC 2023-3	VARIOUS	11	4
			CONTRACT NO. 64R82	
ILLINOIS FED. AID PROJECT				

HENRY COUNTY



LOCATION 1
 SN 037-0021
 BRIDGE WASHING NO. 1
 SN 037-0022
 BRIDGE WASHING NO. 2



MODEL: Default
 FILE: h:\mfe_p\build\paw.bentley.com\p\INDOT\Documents\INDOT Office\District 2\Project\Operations\Bridges - Section\Bridges - Washing - Contracts\2023\64882 - Bridge Washing over Rock River (64882-1) - htc-cover.dgn

USER NAME = David.Doss	DESIGNED - _____	REVISED - _____
	DRAWN - _____	REVISED - _____
PLOT SCALE = 100,000' / in.	CHECKED - _____	REVISED - _____
PLOT DATE = Jun-07-2022 09:43:41 AM	DATE - _____	REVISED - _____

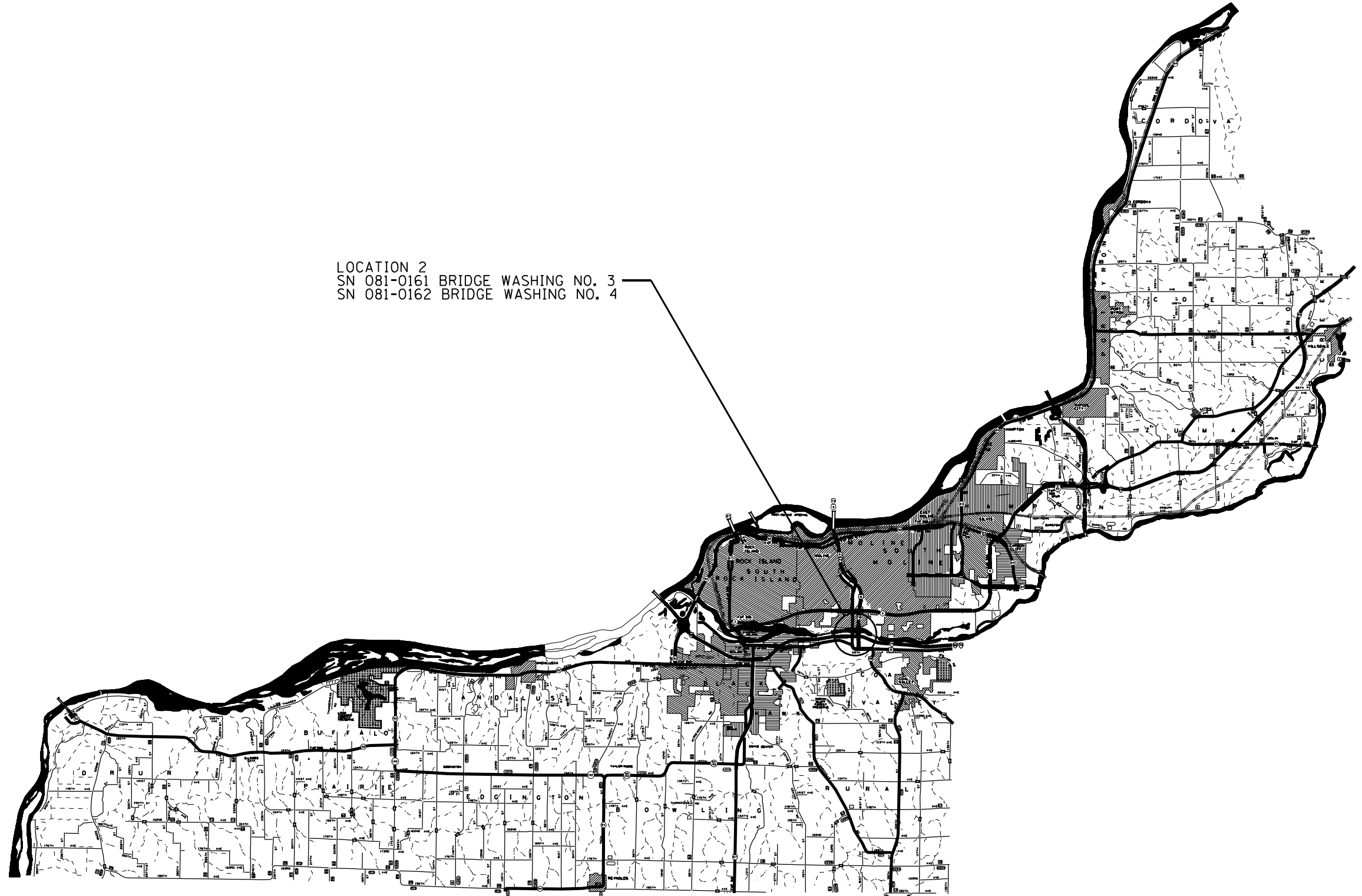
STATE OF ILLINOIS
DEPARTMENT OF TRANSPORTATION

HENRY COUNTY
LOCATION MAP

SCALE: _____ SHEET _____ OF _____ SHEETS STA. _____ TO STA. _____

F.A. RTE.	SECTION	COUNTY	TOTAL SHEETS	SHEET NO.
VAR.	D2 BC 2023-3	VARIOUS	11	5
			CONTRACT NO. 64882	
		ILLINOIS FED. AID PROJECT		

ROCK ISLAND COUNTY



LOCATION 2
 SN 081-0161 BRIDGE WASHING NO. 3
 SN 081-0162 BRIDGE WASHING NO. 4

MODEL: Default
 FILE: Mainfile.pxl
 PROJECT: D:\projects\Operations\Bridges - Section\Bridges - Washing - Contracts\2023\64882 - Bridge Washing over Rock River (64882-64882-rlt-cover.dgn)

USER NAME = David.Doss	DESIGNED - _____	REVISED - _____
	DRAWN - _____	REVISED - _____
PLOT SCALE = 100,0000' / in.	CHECKED - _____	REVISED - _____
PLOT DATE = Jul-07-2022 09:43:50 AM	DATE - _____	REVISED - _____

STATE OF ILLINOIS
DEPARTMENT OF TRANSPORTATION

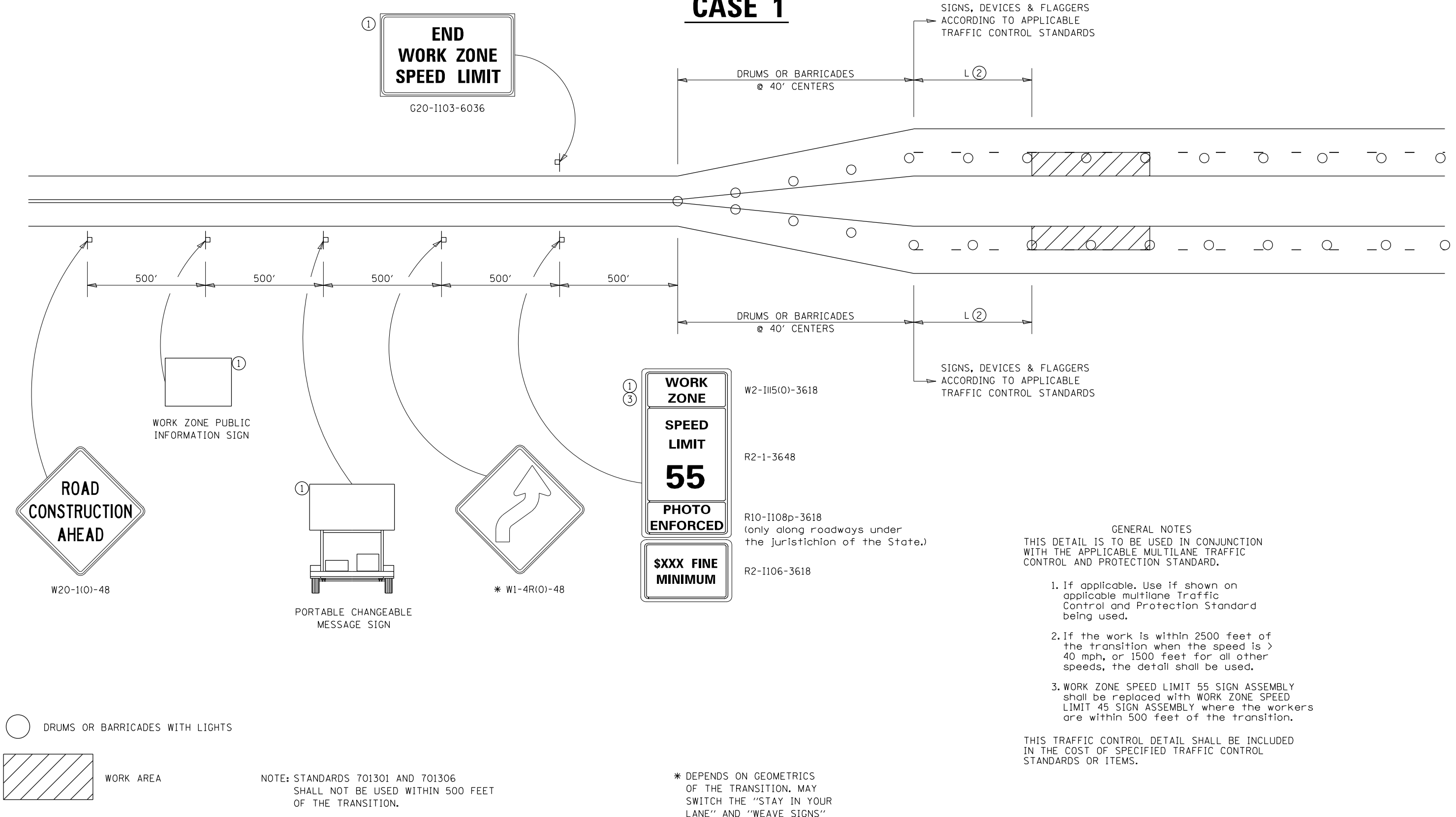
ROCK ISLAND COUNTY
LOCATION MAP

SCALE: _____ SHEET _____ OF _____ SHEETS STA. _____ TO STA. _____

F.A. RTE.	SECTION	COUNTY	TOTAL SHEETS	SHEET NO.
VAR.	D2 BC 2023-3	VARIOUS	11	6
			CONTRACT NO. 64882	
ILLINOIS FED. AID PROJECT				

TRAFFIC CONTROL FOR TRANSITION AREAS

CASE 1



- GENERAL NOTES**
- THIS DETAIL IS TO BE USED IN CONJUNCTION WITH THE APPLICABLE MULTILANE TRAFFIC CONTROL AND PROTECTION STANDARD.
1. If applicable. Use if shown on applicable multilane Traffic Control and Protection Standard being used.
 2. If the work is within 2500 feet of the transition when the speed is > 40 mph, or 1500 feet for all other speeds, the detail shall be used.
 3. WORK ZONE SPEED LIMIT 55 SIGN ASSEMBLY shall be replaced with WORK ZONE SPEED LIMIT 45 SIGN ASSEMBLY where the workers are within 500 feet of the transition.

THIS TRAFFIC CONTROL DETAIL SHALL BE INCLUDED IN THE COST OF SPECIFIED TRAFFIC CONTROL STANDARDS OR ITEMS.

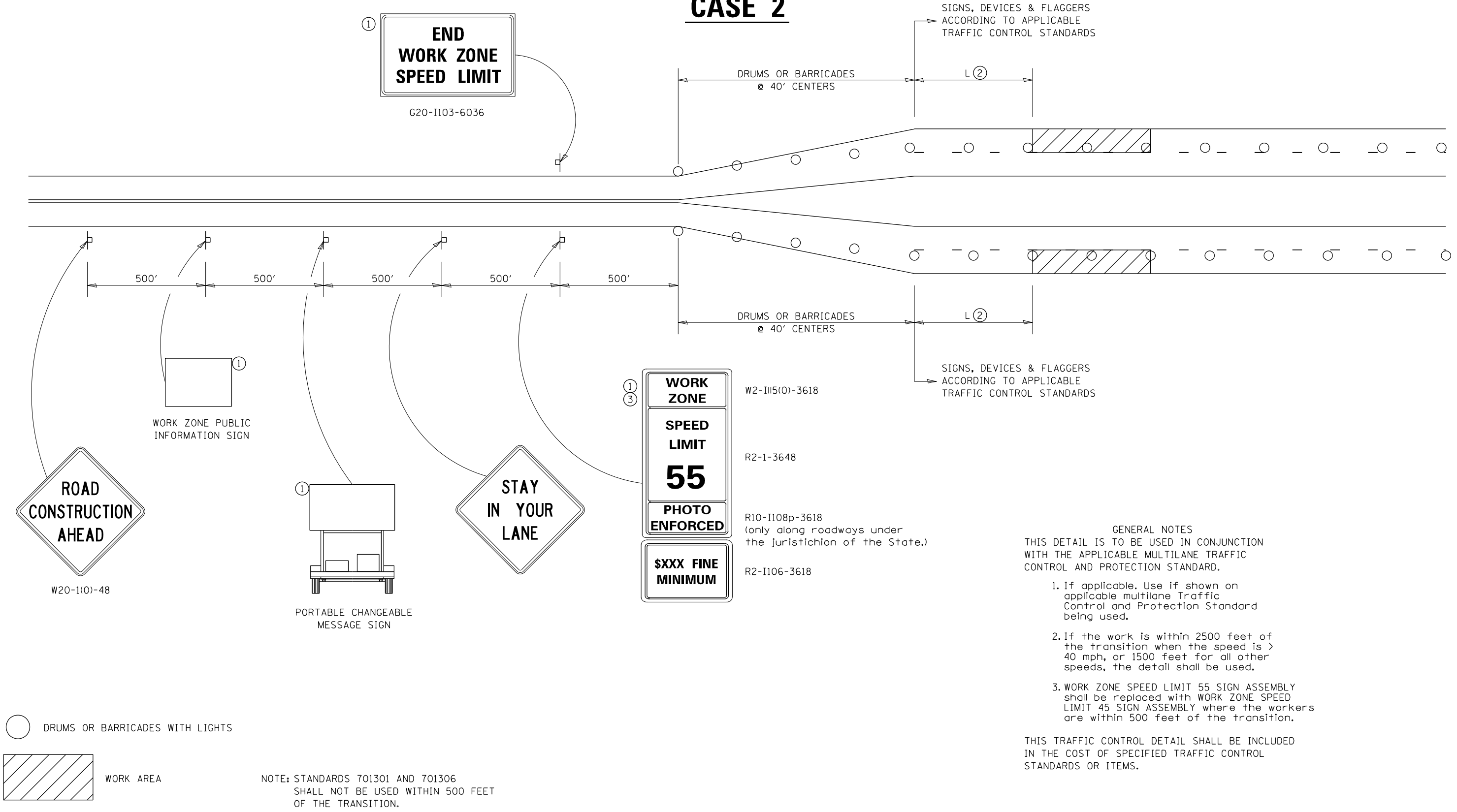
NOTE: STANDARDS 701301 AND 701306 SHALL NOT BE USED WITHIN 500 FEET OF THE TRANSITION.

* DEPENDS ON GEOMETRICS OF THE TRANSITION. MAY SWITCH THE "STAY IN YOUR LANE" AND "WEAVE SIGNS"

FILE NAME =	USER NAME = David.Doss	DESIGNED -	REVISED - 4-20-17	STATE OF ILLINOIS DEPARTMENT OF TRANSPORTATION	REGION 2 / DISTRICT 2 STANDARD	F.A. RTÉ.	SECTION	COUNTY	TOTAL SHEETS	SHEET NO.
pw:\idot-pw.bentley.com\PWIDOT\Documents\IDOT Offices\District 2\Projects\Operations\DRAWN Section\Bridges\Washing Contracts\REVISED 2 Bridge\109-16 over Rock River (6)\CADD\64R82-sht-cover.dgn	PLLOT SCALE = 100.0000' / in.	CHECKED -	REVISED - 8-27-13			VAR.	D2 BC 2023-3	VARIOUS	11	8
PLLOT DATE = Jun-07-2022 09:44:07 AM	DATE -	REVISED - 1-16-13	CONTRACT NO. 64R82							
			SCALE: _____ SHEET NO. ___ OF ___ SHEETS STA. _____ TO STA. _____			FED. ROAD DIST. NO. _____ ILLINOIS FED. AID PROJECT				

TRAFFIC CONTROL FOR TRANSITION AREAS

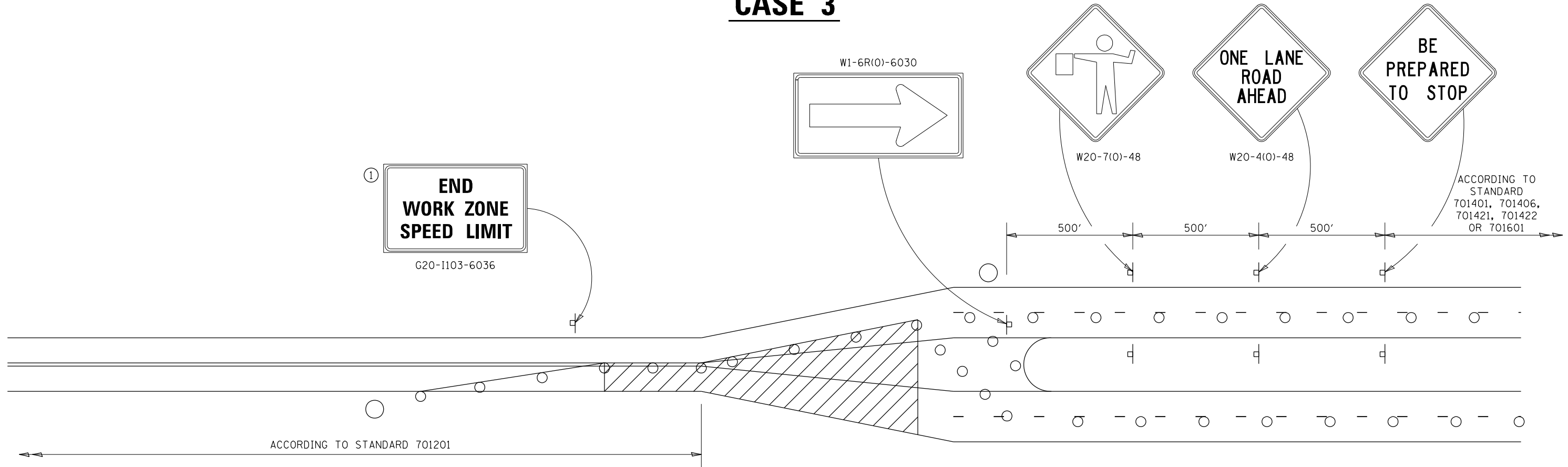
CASE 2



FILE NAME =	USER NAME = David.Doss	DESIGNED -	REVISED - 4-20-17	STATE OF ILLINOIS DEPARTMENT OF TRANSPORTATION	REGION 2 / DISTRICT 2 STANDARD	F.A. RTÉ.	SECTION	COUNTY	TOTAL SHEETS	SHEET NO.
pw:\idot-pw.bentley.com\PWIDOT\Documents\IDOT Offices\District 2\Projects\Operations\DRAWN Section\Bridges\Washing Contracts\REVISED Bridge\09-16 over Rock River (6)\CADD\64R82-sht-cover.dgn	PROJECT = 09-16 over Rock River	CHECKED -	REVISED - 8-27-13			VAR.	D2 BC 2023-3	VARIOUS	11	9
PLOT SCALE = 100.0000' / in.	DATE -	REVISED - 1-16-13	CONTRACT NO. 64R82							
PLOT DATE = Jun-07-2022 09:44:14 AM	DATE -	REVISED -	FED. ROAD DIST. NO. ILLINOIS FED. AID PROJECT							

TRAFFIC CONTROL FOR TRANSITION AREAS

CASE 3



GENERAL NOTES
 THIS DETAIL IS TO BE USED IN CONJUNCTION WITH THE APPLICABLE MULTILANE TRAFFIC CONTROL AND PROTECTION STANDARD.

1. If applicable, Use if shown on applicable multilane Traffic Control and Protection Standard being used.
2. If the work is within 2500 feet of the transition when the speed is > 40 mph, or 1500 feet for all other speeds, the detail shall be used.
3. WORK ZONE SPEED LIMIT 55 SIGN ASSEMBLY shall be replaced with WORK ZONE SPEED LIMIT 45 SIGN ASSEMBLY where the workers are within 500 feet of the transition.

THIS TRAFFIC CONTROL DETAIL SHALL BE INCLUDED IN THE COST OF SPECIFIED TRAFFIC CONTROL STANDARDS OR ITEMS.

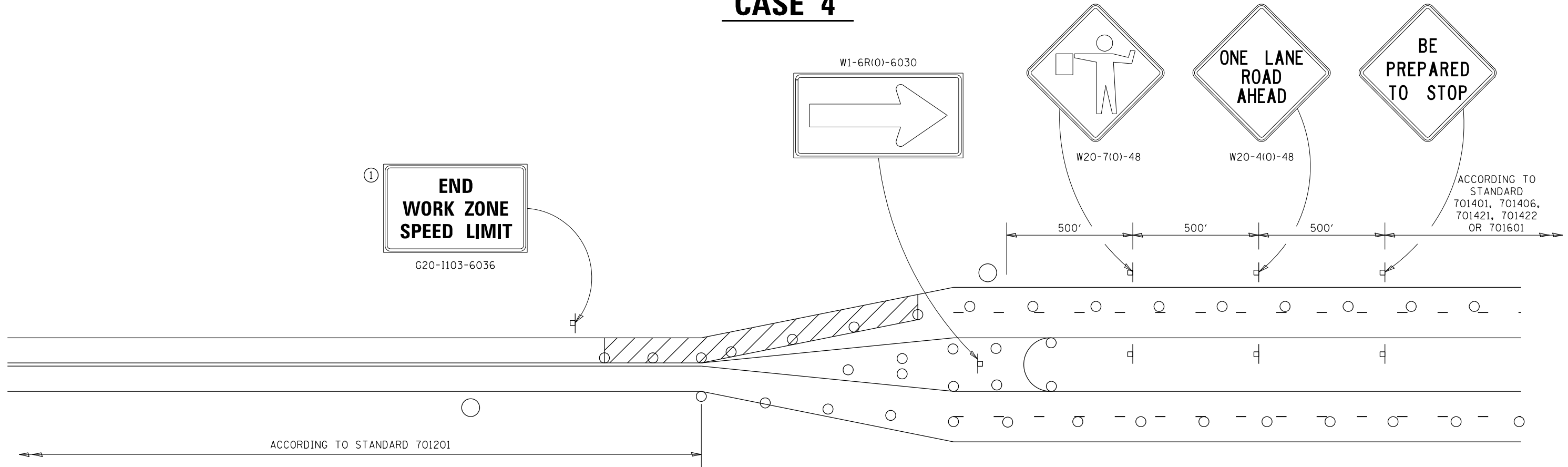
- FLAGGER WITH TRAFFIC CONTROL SIGN
- DRUMS OR BARRICADES WITH LIGHTS
- WORK AREA

NOTE: STANDARDS 701301 AND 701306 SHALL NOT BE USED WITHIN 500 FEET OF THE TRANSITION.

FILE NAME =	USER NAME = David.Doss	DESIGNED -	REVISED - 4-20-17	STATE OF ILLINOIS DEPARTMENT OF TRANSPORTATION	REGION 2 / DISTRICT 2 STANDARD	F.A. RTÉ.	SECTION	COUNTY	TOTAL SHEETS	SHEET NO.			
DRAWN Section\Bridges Washing Contracts 2023\6482 Bridge over Rock River (6)\CADD\6482-shr-cover.dwg						SCALE: _____	SHEET NO. ____ OF ____ SHEETS	STA. _____ TO STA. _____	VAR.	D2 BC 2023-3	VARIOUS	11	10
PLOT SCALE = 100.0000' / in.						CHECKED -	REVISED - 8-27-13	CONTRACT NO. 6482					
PLOT DATE = Jun-07-2022 09:44:21 AM				DATE -	REVISED - 3-05-12	FED. ROAD DIST. NO. _ ILLINOIS FED. AID PROJECT							

TRAFFIC CONTROL FOR TRANSITION AREAS

CASE 4



GENERAL NOTES
 THIS DETAIL IS TO BE USED IN CONJUNCTION WITH THE APPLICABLE MULTILANE TRAFFIC CONTROL AND PROTECTION STANDARD.

1. If applicable, Use if shown on applicable multilane Traffic Control and Protection Standard being used.
2. If the work is within 2500 feet of the transition when the speed is > 40 mph, or 1500 feet for all other speeds, the detail shall be used.
3. WORK ZONE SPEED LIMIT 55 SIGN ASSEMBLY shall be replaced with WORK ZONE SPEED LIMIT 45 SIGN ASSEMBLY where the workers are within 500 feet of the transition.

THIS TRAFFIC CONTROL DETAIL SHALL BE INCLUDED IN THE COST OF SPECIFIED TRAFFIC CONTROL STANDARDS OR ITEMS.

- FLAGGER WITH TRAFFIC CONTROL SIGN
- DRUMS OR BARRICADES WITH LIGHTS
- WORK AREA

NOTE: STANDARDS 701301 AND 701306 SHALL NOT BE USED WITHIN 500 FEET OF THE TRANSITION.

FILE NAME =	USER NAME = David.Doss	DESIGNED -	REVISED - 4-20-17	STATE OF ILLINOIS DEPARTMENT OF TRANSPORTATION	REGION 2 / DISTRICT 2 STANDARD	F.A. RTE.	SECTION	COUNTY	TOTAL SHEETS	SHEET NO.
DRAWN Section\Bridges\Washing Contracts\2017\6482\6482-shr-cover.dwg						VAR.	D2 BC 2023-3	VARIOUS	11	11
PLOT SCALE = 100.0000' / in.						CHECKED -	REVISED - 8-27-13	CONTRACT NO. 6482		
PLOT DATE = Jun-07-2022 09:44:28 AM				DATE -	REVISED - 3-05-12	FED. ROAD DIST. NO. -		ILLINOIS FED. AID PROJECT		