

STATE OF ILLINOIS  
DEPARTMENT OF TRANSPORTATION

F.A.P. RTE.	SECTION	COUNTY	TOTAL SHEETS	SHEET NO.
+	(16,18)Q	BROWN	28	1
		ILLINOIS	CONTRACT NO. 72C24	

\*554 (IL 107)

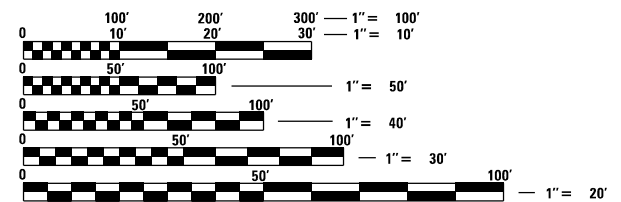
D-96-099-08

**INDEX OF SHEETS**

- 1 COVER SHEET
- 2 GENERAL NOTES
- 3-4 SUMMARY OF QUANTITIES
- 5-6 TYPICAL SECTIONS
- 7-9 SCHEDULE OF QUANTITIES
- 10-27 PLAN SHEETS
- 28 PAVEMENT MARKING DETAIL

**STANDARDS**

- 000001-08
- 001006
- 701001-02
- 701006-05
- 701011-04
- 701201-05
- 701306-04
- 701311-03
- 701901-08
- 780001-05
- 781001-04



FULL SIZE PLANS HAVE BEEN PREPARED USING STANDARD ENGINEERING SCALES. REDUCED SIZED PLANS WILL NOT CONFORM TO STANDARD SCALES. IN MAKING MEASUREMENTS ON REDUCED PLANS, THE ABOVE SCALES MAY BE USED.

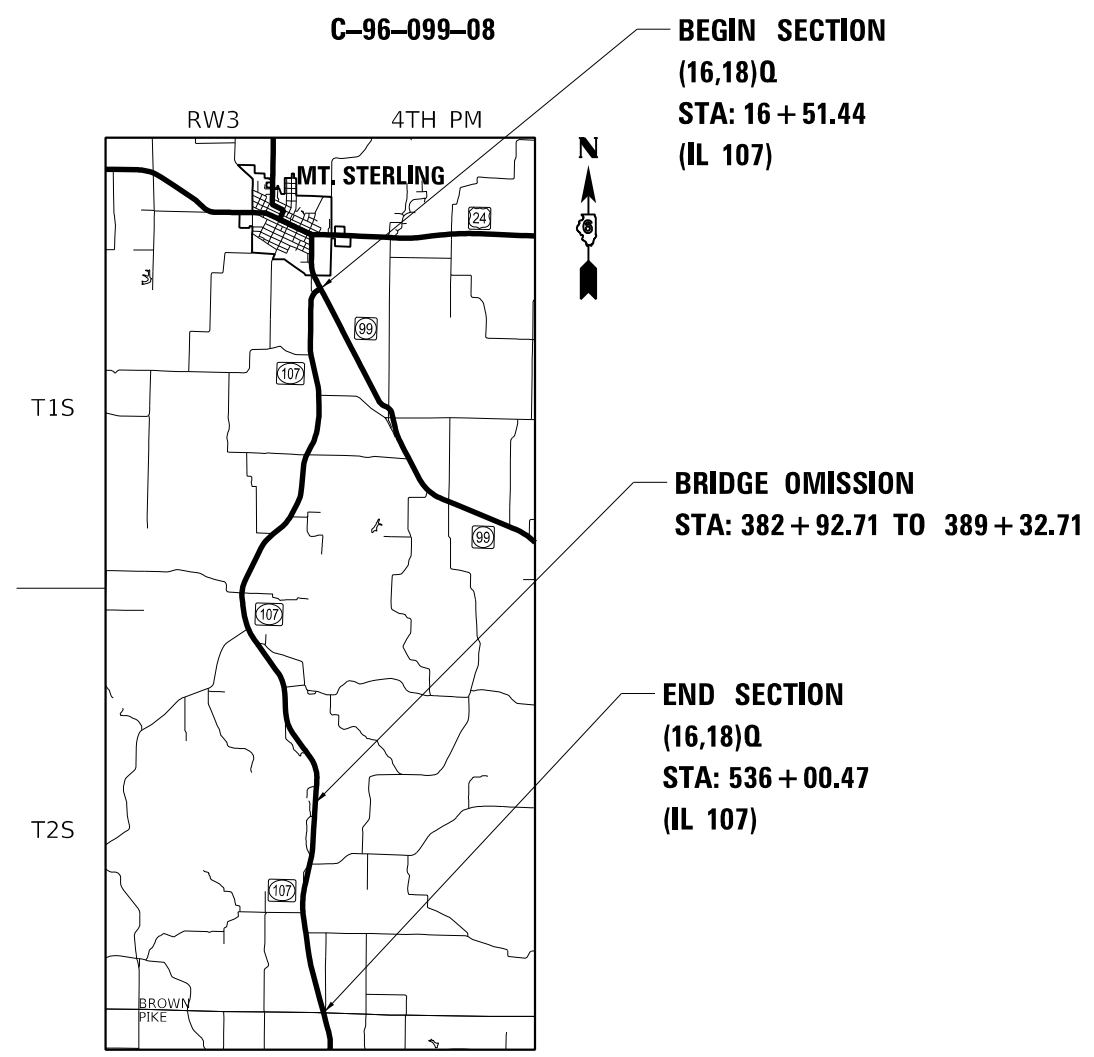
J.U.L.I.E.  
JOINT UTILITY LOCATION INFORMATION FOR EXCAVATORS  
1-800-892-0123  
OR 811

PROJECT ENGINEER: JON KELLEY 217-785-2739  
PROJECT MANAGER: CLOYD JACK 217-524-0064

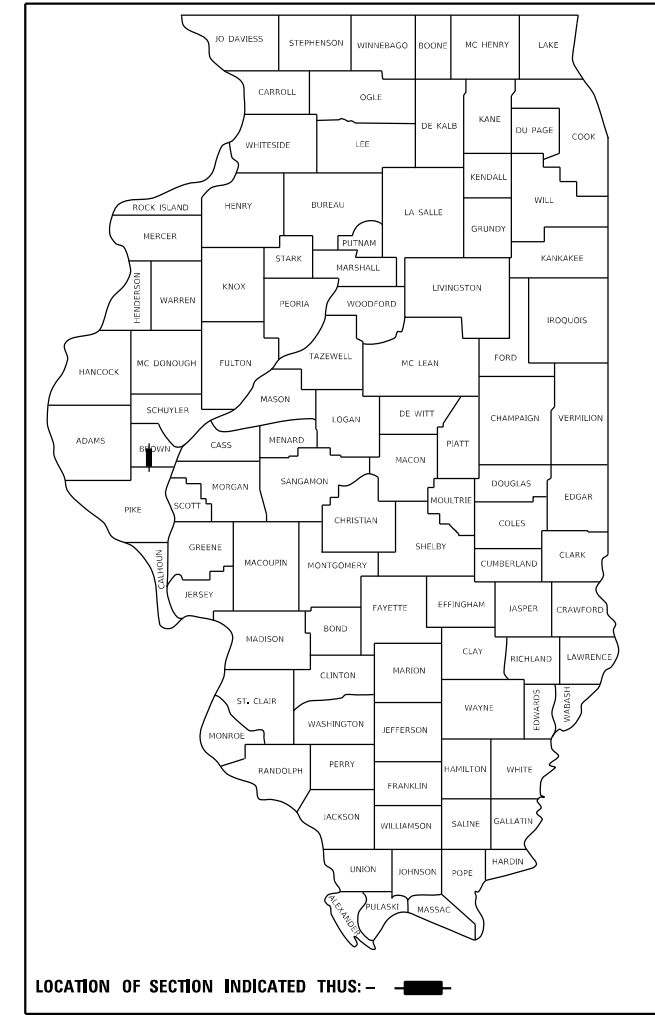
CONTRACT NO. 72C24

**PROPOSED  
HIGHWAY PLANS**

ROUTE FAP 554 (IL107)  
SECTION (16,18)Q  
PROJECT STP-UEDV(225)  
CAPE SEAL AND FOG SEAL  
BROWN COUNTY



GROSS LENGTH = 51949.03 FT. = 9.83 MILE  
NET LENGTH = 51309.03 FT. = 9.71 MILE



LOCATION OF SECTION INDICATED THUS: —

ADT: 1656 (2021)  
MU: 9.5%  
SU: 4%  
PV: 86.5%  
FC: MINOR ARTERIAL

STATE OF ILLINOIS  
DEPARTMENT OF TRANSPORTATION

SUBMITTED August 26 20 22

*Jeffrey P. Myers* REGIONAL ENGINEER  
October 14, 2022

*Scott A. Etk* ENGINEER OF DESIGN AND ENVIRONMENT  
October 14, 2022

*Stephen M. Smith* DIRECTOR OF HIGHWAYS PROJECT IMPLEMENTATION

PRINTED BY THE AUTHORITY  
OF THE STATE OF ILLINOIS

GENERAL NOTES:




1. THE CONTRACTOR SHALL NOTIFY THE DISTRICT 6 BUREAU OF OPERATIONS AT (217) 785-5306 THREE WEEKS PRIOR TO IMPLEMENTING ANY TRAFFIC CONTROL.
2. THE DISTRICT 6 BUREAU OF OPERATIONS SHALL BE NOTIFIED BY PHONE AT (217) 785-5306 AT LEAST 14 DAYS PRIOR TO PLACEMENT OF FINAL PAVEMENT MARKINGS.
3. AGGREGATE FOR A-1 BITUMINOUS SURFACE TREATMENT MAY BE CA-15, CA-16, OR CA-20.
4. PAVEMENT MARKING REMOVAL SHALL BE FOR CENTERLINE PAVEMENT MARKINGS ONLY.

COMMITMENTS

NONE

RATES OF APPLICATION

BITUMINOUS MATERIALS (FOG SEAL) : .05 POUNDS/ SQ FT, MAINLINE & SHOULDER

<b>STATE OF ILLINOIS DEPARTMENT OF TRANSPORTATION DIVISION OF HIGHWAYS DISTRICT 6</b>	
EXAMINED <u>August 16</u> 20 <u>22</u>	 ENGINEER OF OPERATIONS
EXAMINED <u>August 22</u> 20 <u>22</u>	 ENGINEER OF PROJECT IMPLEMENTATION
EXAMINED <u>August 22</u> 20 <u>22</u>	 ENGINEER OF PROGRAM DEVELOPMENT

MODEL: D:\default... FILE: Mainline... \Public\paw.bentley.com\PW\DOT\Documents\DOT Office\District 6\Project\0672C24\CD\0313\_55\0\CD\0313\0672C24\Sheet-gpennote.dgn

	USER NAME = Cloyd,Jack	DESIGNED -	REVISED -	<b>STATE OF ILLINOIS DEPARTMENT OF TRANSPORTATION</b>	<b>GENERAL NOTES</b>				F.A.P RTE.	SECTION	COUNTY	TOTAL SHEETS	SHEET NO.
		DRAWN -	REVISED -										
	PLOT SCALE = 100,0000 ' / in.	CHECKED -	REVISED -							(16.18)Q	BROWN	28	2
	PLOT DATE = 8/23/2022	DATE -	REVISED -			SCALE:	SHEET	OF	SHEETS	STA.	TO	STA.	ILLINOIS

				6-01435-0000
				80% FEDERAL 20% STATE
CODE NO.	ITEM	UNIT	TOTAL QUANTITY	ROADWAY
				0005 RURAL
40500001	FIBER-MODIFIED ASPHALT CRACK SEALING	FOOT	53451	53451
40500061	CAPE SEAL	SQ YD	140874	140874
67000400	ENGINEER'S FIELD OFFICE, TYPE A	CAL MO	6	6
67100100	MOBILIZATION	L SUM	1	1
70100450	TRAFFIC CONTROL AND PROTECTION, STANDARD 701201	L SUM	1	1
70100460	TRAFFIC CONTROL AND PROTECTION, STANDARD 701306	L SUM	1	1
70300100	SHORT TERM PAVEMENT MARKING	FOOT	9015	9015
70300150	SHORT TERM PAVEMENT MARKING REMOVAL	SQ FT	3005	3005
* 78009000	MODIFIED URETHANE PAVEMENT MARKING - LETTERS AND SYMBOLS	SQ FT	32	32
* 78009005	MODIFIED URETHANE PAVEMENT MARKING - LINE 5"	FOOT	150156	150156
* 78009006	MODIFIED URETHANE PAVEMENT MARKING - LINE 6"	FOOT	140	140
* 78009012	MODIFIED URETHANE PAVEMENT MARKING - LINE 12"	FOOT	183	183
* 78009024	MODIFIED URETHANE PAVEMENT MARKING - LINE 24"	FOOT	90	90
* 78100100	RAISED REFLECTIVE PAVEMENT MARKER	EACH	650	650

\* SPECIALTY ITEM

MODEL: Default  
 FILE: \\mdele-pro\public\zkw\benfley.com\PHWDOT\Documents\DOT Offices\Bentley - 6\Projects\0672C24\CADData\_5510\CADsheets\0672C24-rh-500.dgn

USER NAME = Cloyd.Jack	DESIGNED -	REVISED -	<b>STATE OF ILLINOIS DEPARTMENT OF TRANSPORTATION</b>	<b>SUMMARY OF QUANTITIES</b>			F.A.P. RTE.	SECTION	COUNTY	TOTAL SHEETS	SHEET NO.
PLOT SCALE = 20.0000 ' / in.	DRAWN -	REVISED -					* (16,18) Q	BROWN	28	3	
PLOT DATE = 8/26/2022	CHECKED -	REVISED -		SCALE:	SHEET 1	OF 2	SHEETS	STA.	TO STA.	CONTRACT NO. 72C24	
	DATE -	REVISED -					ILLINOIS FED. AID PROJECT				

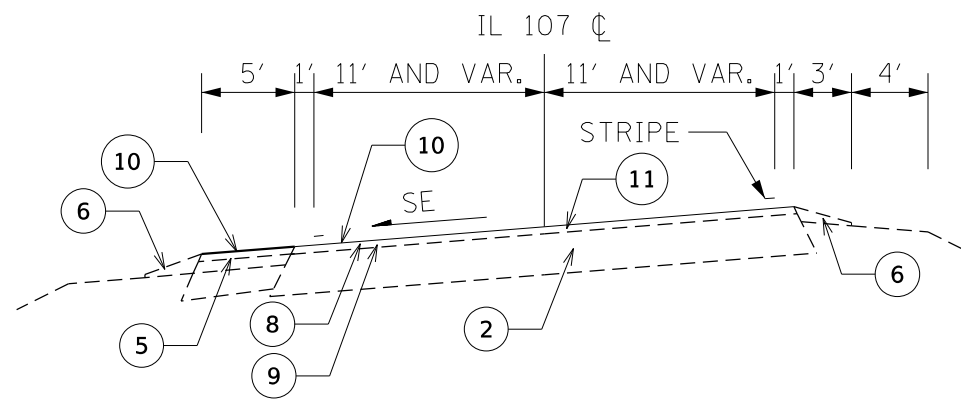
				6-01435-0000
				80% FEDERAL 20% STATE
CODE NO.	ITEM	UNIT	TOTAL QUANTITY	ROADWAY
				0005 RURAL
78300200	RAISED REFLECTIVE PAVEMENT MARKER REMOVAL	EACH	650	650
X0300010	BITUMINOUS MATERIALS (FOG SEAL)	POUND	63393	63393
∅ Z0076600	TRAINEES	HOUR	500	500
X2503000	MAINTENANCE MOWING	ACRE	36	36
∅ Z0076604	TRAINEES TRAINING PROGRAM GRADUATE	HOUR	500	500
X4400196	HOT-MIX ASPHALT SURFACE REMOVAL, SPECIAL	SQ YD	140874	140874

∅ 0042

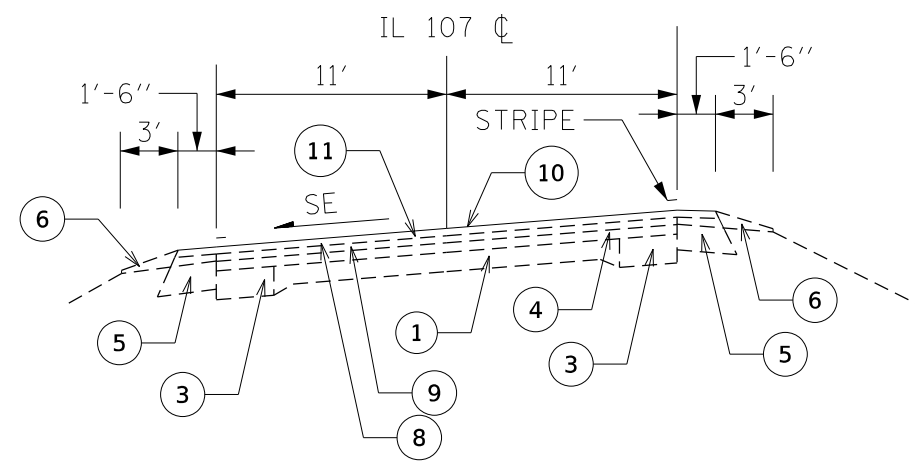
REV. - MS

MODEL: Default  
 FILE: M:\MSR\_Plan\Ildot-civil\benfley.com\PHWDOT\Documents\DOT Offices\Burlington\6\Projects\0672C24\CD\Draw\_S5\0\CD\Draw\_S5\0672C24.rvt-500.dgn

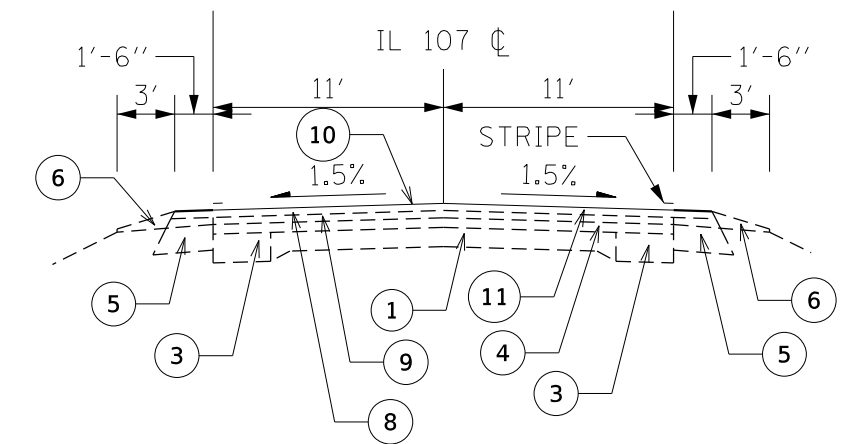
USER NAME = Cloyd.Jack	DESIGNED -	REVISED -	<b>STATE OF ILLINOIS DEPARTMENT OF TRANSPORTATION</b>	<b>SUMMARY OF QUANTITIES</b>				F.A.P RTE.	SECTION	COUNTY	TOTAL SHEETS	SHEET NO.
PLOT SCALE = 20.0000 ' / in.	DRAWN -	REVISED -						*	(16,18) Q	BROWN	28	4
PLOT DATE = 8/26/2022	CHECKED -	REVISED -						CONTRACT NO. 72C24				
	DATE -	REVISED -						SCALE:	SHEET 2	OF 2	SHEETS	STA.
ILLINOIS FED. AID PROJECT												



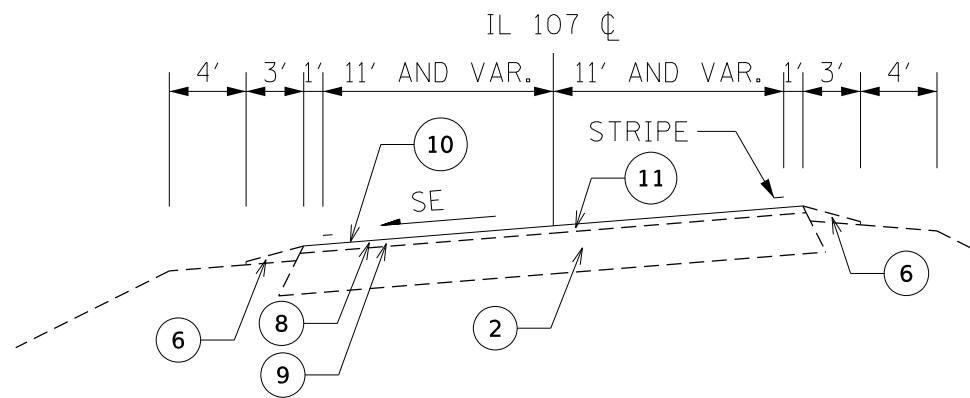
**TYPICAL SECTION #1**  
STA. 16+21.44 TO STA. 19+24.37



**TYPICAL SECTION #3**  
STA. 28+20.67 TO STA. 29+41.67



**TYPICAL SECTION #4**  
STA. 29+41.67 TO STA. 57+01



**TYPICAL SECTION #2**  
STA. 19+24.37 TO STA. 28+20.67

STA. 57+01 TO STA. 67+31  
STA. 80+86 TO STA. 90+75  
STA. 98+01 TO STA. 107+98  
STA. 111+69 TO STA. 126+15  
STA. 130+56 TO STA. 142+07  
STA. 155+42 TO STA. 167+03  
STA. 174+68 TO STA. 186+37  
STA. 192+56 TO STA. 206+31  
STA. 227+88 TO STA. 243+11  
STA. 251+66 TO STA. 271+01  
STA. 295+72 TO STA. 313+46  
STA. 324+23 TO STA. 342+31  
STA. 420+88 TO STA. 430+63  
STA. 448+23 TO STA. 470+01  
STA. 497+14 TO STA. 505+70

STA. 67+31 TO STA. 80+86  
STA. 90+75 TO STA. 98+01  
STA. 107+98 TO STA. 111+69  
STA. 126+15 TO STA. 130+56  
STA. 142+07 TO STA. 155+42  
STA. 167+03 TO STA. 174+68  
STA. 186+37 TO STA. 192+56  
STA. 206+31 TO STA. 227+88  
STA. 243+11 TO STA. 251+66  
STA. 271+01 TO STA. 295+72  
STA. 313+46 TO STA. 324+23  
STA. 342+31 TO STA. 382+80  
STA. 389+20 TO STA. 420+88  
STA. 430+63 TO STA. 448+23  
STA. 470+01 TO STA. 497+14  
STA. 505+70 TO STA. 532+00

**BRIDGE OMISSION**  
STA. 382+80 TO STA. 389+20

- ① EXIST. PCC PAVEMENT 9"-6"-9"
- ② EXIST. HMA PAVEMENT (FULL-DEPTH) 13 1/2"
- ③ EXIST. HMA BASE COURSE WIDENING 9"
- ④ EXIST. HMA RESURFACING 5"
- ⑤ EXIST. HMA SHOULDER 8"
- ⑥ EXIST. AGG. SHOULDER
- ⑦ EXIST. CONCRETE GUTTER, TYPE A
- ⑧ EXIST. HMA SURFACE COURSE, MIX "C", N50 (1 1/2")
- ⑨ EXIST. LEVELING BINDER (MACHINE METHOD), N50 (3/4")
- ⑩ PROP. CAPE SEAL
- ⑪ PROP. HMA SURFACE REMOVAL, SPECIAL (1/2")

NOTES:  
1. SUPER ELEVATED SECTION APPLIES TO BOTH LEFT AND RIGHT CURVES

MOEFL - Default  
FILE: \\moe-fl-001\server\share\moe-fl.com\PHWDOT\Documents\DOT Offices\Bentley - 6\Projects\0672C24\CAD\DATA\_S5\0\CAD\Sheet\0672C24-111-Typical.dgn

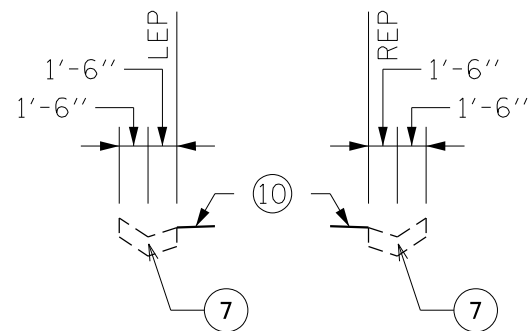
USER NAME = Cloyd.Jack	DESIGNED -	REVISED -
	DRAWN -	REVISED -
PLOT SCALE = 10.0000 ' / in.	CHECKED -	REVISED -
PLOT DATE = 8/26/2022	DATE -	REVISED -

**STATE OF ILLINOIS**  
**DEPARTMENT OF TRANSPORTATION**

**TYPICAL SECTIONS**

SCALE: SHEET 1 OF 2 SHEETS STA. TO STA.

F.A.P. RTE.	SECTION	COUNTY	TOTAL SHEETS	SHEET NO.
*	(16,18) Q	BROWN	28	5
			CONTRACT NO. 72C24	
		ILLINOIS	FED. AID PROJECT	



**GUTTER DETAIL**

RT. STA. 313+00 TO RT. STA. 320+75  
 LT. STA. 339+25 TO LT. STA. 342+50  
 RT. STA. 339+75 TO RT. STA. 343+00  
 RT. STA. 356+50 TO RT. STA. 362+00  
 RT. STA. 374+25 TO RT. STA. 380+50  
 LT. STA. 389+75 TO LT. STA. 396+50  
 RT. STA. 401+75 TO RT. STA. 410+00  
 LT. STA. 402+25 TO LT. STA. 409+50  
 LT. STA. 418+25 TO LT. STA. 420+00  
 RT. STA. 418+25 TO RT. STA. 421+00  
 LT. STA. 423+75 TO LT. STA. 432+50  
 RT. STA. 424+00 TO RT. STA. 433+00  
 LT. STA. 496+50 TO LT. STA. 506+00  
 RT. STA. 498+00 TO RT. STA. 502+00

**BRIDGE OMISSION**  
 STA. 382+80 TO STA. 389+20

- ① EXIST. PCC PAVEMENT 9"-6"-9"
- ② EXIST. HMA PAVEMENT (FULL-DEPTH) 13 1/2"
- ③ EXIST. HMA BASE COURSE WIDENING 9"
- ④ EXIST. HMA RESURFACING 5"
- ⑤ EXIST. HMA SHOULDER 8"
- ⑥ EXIST. AGG. SHOULDER
- ⑦ EXIST. CONCRETE GUTTER, TYPE A
- ⑧ EXIST. HMA SURFACE COURSE, MIX "C", N50 (1 1/2")
- ⑨ EXIST. LEVELING BINDER (MACHINE METHOD), N50 (3/4")
- ⑩ PROP. CAPE SEAL
- ⑪ PROP. HMA SURFACE REMOVAL, SPECIAL (1/2")

NOTES:  
 1. SUPER ELEVATED SECTION APPLIES TO BOTH LEFT AND RIGHT CURVES

MODEL: Default  
 FILE: Mainfile.pia  
 SUBJECT: new\_bentley.com:PIV\DOT\Documents\DOT Office\Dir\dir: E:\Project\0672C24\CAD\0313\_3510\CAD\sheet\0672C24-sheet\typical.dgn

USER NAME = Cloyd,Jack	DESIGNED -	REVISED -	<b>STATE OF ILLINOIS DEPARTMENT OF TRANSPORTATION</b>	<b>TYPICAL SECTIONS</b>			F.A.P. RTE.	SECTION	COUNTY	TOTAL SHEETS	SHEET NO.
DRAWN -	REVISIED -	*					(16,18) Q	BROWN	28	6	
PLOT SCALE = 10,0000 * / in.	CHECKED -	REVISIED -		SCALE: SHEET 2 OF 2 SHEETS STA. TO STA.			ILLINOIS FED. AID PROJECT		CONTRACT NO. 72C24		
PLOT DATE = 8/23/2022	DATE -	REVISIED -		*554 (IL 107)							

CAPE SEAL											
LOCATION			WIDTH (FOOT)	LENGTH (FOOT)	DESCRIPTION	40500061 CAPE SEAL (SQ YD)	X4400196 HOT-MIX ASPHALT SURFACE REMOVAL, SPECIAL (SQ YD)	X0300010 BITUMINOUS MATERIALS (FOG SEAL) (POUND)	40500001 FIBER-MODIFIED ASPHALT CRACK SEALING (FOOT)	78100100 RAISED REFLECTIVE PAVEMENT MARKER CRYSTAL (EACH)	78300200 RAISED REFLECTIVE PAVEMENT MARKER REMOVAL (EACH)
RT STA 16+51.44	TO	RT STA 17+97.45	VARIES	146	MAINLINE	416.8	416.8	187.6	146	2	2
LT STA 16+51.44	TO	LT STA 20+02.71	5' & VARIES	351	PAVED SHOULDER	201.0	201.0	90.5			
LT STA 16+52.44	TO	LT STA 19+50.00	VARIES	298	MAINLINE	489.1	489.1	220.1	153	2	2
RT STA 17+97.45	TO	RT STA 383+05.41	12	36,508	MAINLINE	48,677.3	48,677.3	21,904.8	36,355	454	454
LT STA 19+50.00	TO	LT STA 382+80.00	12	36,330	MAINLINE	48,440.0	48,440.0	21,798.0	665	8	8
RT STA 383+05.41	TO	RT STA 389+45.41	12	640	BRIDGE OMISSION						
LT STA 382+80.00	TO	LT STA 389+20.00	12	640	BRIDGE OMISSION						
LT STA 389+20.00	TO	LT STA 536+00.47	12	14,680	MAINLINE	19,574.0	19,574.0	8,808.3	14,680	184	184
RT STA 389+45.41	TO	RT STA 536+00.47	12	14,655	MAINLINE	19,540.1	19,540.1	8,793.0			
STA 16+67.00	TO	STA 19+50.00	VARIES	283	LEFT TURN LANE	255.1	255.1	114.8			
STA 17+67.16	TO	STA 22+50.00	VARIES	483	PAINTED MEDIAN	322.6	322.6	145.2			
		RT STA 21+58.13	VARIES	VARIES	SIDEROAD: 800 E ST.	531.2	531.2	239.1	273		
		RT STA 63+47.45	VARIES	VARIES	SIDEROAD: 825 N AVE	214.0	214.0	96.3	90		
		LT STA 90+77.87	VARIES	VARIES	SIDEROAD: 775 N AVE	141.7	141.7	63.8	86		
		RT STA 132+36.09	VARIES	VARIES	SIDEROAD: 700 N AVE	162.3	162.3	73.1	84		
		LT STA 132+36.09	VARIES	VARIES	SIDEROAD: 700 N AVE	120.6	120.6	54.3	55		
		RT STA 192+04.59	VARIES	VARIES	SIDEROAD	232.4	232.4	104.6	117		
		RT STA 237+63.42	VARIES	VARIES	SIDEROAD: 550 N AVE	253.8	253.8	114.2	108		
		RT STA 261+95.50	VARIES	VARIES	SIDEROAD: 480 N AVE	224.3	224.3	101.0	115		
		LT STA 272+83.73	VARIES	VARIES	SIDEROAD: 460 N AVE	152.1	152.1	68.5	72		
		LT STA 308+29.14	VARIES	VARIES	SIDEROAD: 410 N AVE	129.0	129.0	58.1	65		
		RT STA 330+40.07	VARIES	VARIES	SIDEROAD: 790 E ST.	185.8	185.8	83.6	97		
		LT STA 432+77.72	VARIES	VARIES	SIDEROAD: 190 N AVE	316.4	316.4	142.4	121		
		RT STA 465+89.60	VARIES	VARIES	SIDEROAD: 125 N AVE	140.4	140.4	63.2	76		
		LT STA 479+24.79	VARIES	VARIES	SIDEROAD: 100 N AVE	154.1	154.1	69.4	92		
<b>TOTAL:</b>						<b>140,874</b>	<b>140,874</b>	<b>63,393</b>	<b>53,451</b>	<b>650</b>	<b>650</b>

MODEL: Default  
 FILE: M:\M&E - providers\sw\_bentley.com\PROJECTS\DOT Documents\DOT Office\Bentley 6\Projects\0672C24\CD00Data\_5510\CD00sheet0672C24-rt-schedule.dgn

USER NAME =	Cloyd.Jack	DESIGNED -	REVISIONS -
		DRAWN -	REVISIONS -
PLOT SCALE =	20.0000 ' / in.	CHECKED -	REVISIONS -
PLOT DATE =	8/26/2022	DATE -	REVISIONS -

**STATE OF ILLINOIS  
 DEPARTMENT OF TRANSPORTATION**

**SCHEDULE OF QUANTITIES**

SCALE: SHEET 1 OF 3 SHEETS STA. TO STA.

F.A.P RTE.	SECTION	COUNTY	TOTAL SHEETS	SHEET NO.
*	(16,18) Q	BROWN	28	7
CONTRACT NO. 72C24				
		ILLINOIS	FED. AID PROJECT	

SHORT-TERM PAVEMENT MARKING									
STATIONS		OFFSET	DESCRIPTION	LENGTH	APPLICATIONS	70300100 SHORT TERM PAVEMENT MARKING  (FOOT)	70300150 SHORT TERM PAVEMENT MARKING REMOVAL  (SQ FT)		
<b>CENTERLINE SKIP DASH</b>									
STA 16+67.00	TO	STA 382+92.71	CL	MAINLINE		36,626	3	2746.9	915.6
STA 382+92.71	TO	STA 389+32.71	CL	BRIDGE OMISSION					
STA 389+32.71	TO	STA 536+00.47	CL	MAINLINE		14,668	3	1100.1	366.7
<b>EDGE LINE SKIP DASH</b>									
STA 16+51.44	TO	STA 383+05.41	RT	MAINLINE		36,654	2	1832.7	611
STA 383+05.41	TO	STA 389+45.41	RT	BRIDGE OMISSION					
STA 389+45.41	TO	STA 536+00.47	RT	MAINLINE		14,655	2	732.8	244
STA 16+51.44	TO	STA 382+80.00	LT	MAINLINE		36,629	2	1831.4	610
STA 382+80.00	TO	STA 389+20.00	LT	BRIDGE OMISSION					
STA 389+20.00	TO	STA 536+00.47	LT	MAINLINE		14,680	2	734.0	245
<b>SKIP DASH TURN LANE &amp; MEDIAN</b>									
STA 16+67.00	TO	STA 19+24.37	LT	LEFT TURN LANE		257	2	12.9	4
STA 17+67.16	TO	STA 22+50.00	LT	PAINTED MEDIAN (EXCLUDING CHEVRONS)		483	2	24.1	8
<b>TOTAL</b>						<b>9015</b>		<b>3005</b>	

DIRECTIONAL ARROWS, LETTERS & SYMBOLS			
LOCATION	TYPE	STATION	78009000 MODIFIED URETHANE PAVEMENT MARKING - LETTERS & SYMBOLS (SQ FT)
LT-TURN LANE	LT-TURN ARROW	STA 16+91.94	15.6
	LT-TURN ARROW	STA 17+63.64	15.6
<b>TOTAL</b>			<b>32</b>

CHEVRONS				
LOCATION		DESCRIPTION	78009012 MODIFIED URETHANE PAVT MKG LINE - 12" CHEVRONS (FOOT)	
STA 17+87.66	TO	STA 22+13.09	PAINTED MEDIAN	183
<b>TOTAL</b>			<b>183</b>	

PAVEMENT MARKING - 6-INCH					
STATIONING		DESCRIPTION		78009006	
				MODIFIED URETHANE PAVT MKG LINE - 6"  WHITE SOLID LANE LINE (FOOT)	MODIFIED URETHANE PAVT MKG LINE - 6"  WHITE - DOTTED 2' DASH 6' SKIP (FOOT)
LT STA 16+67.00	TO	LT STA 17+67.45	LEFT-TURN LANE LINE	100.5	
LT STA 17+67.45	TO	LT STA 19+24.37	LEFT-TURN LANE LINE		39.2
<b>TOTAL:</b>				<b>140</b>	

STOP LINE		
LOCATION	STATION	78009024 MODIFIED URETHANE PAVEMENT MARKING - LINE - 24" (FOOT)
INTERSECTION OF IL 107 & IL 99	STA 16+67.00	90
<b>TOTAL</b>		<b>90</b>

MAINTENANCE MOWING						
STATIONING		LOCATION	AREA (SQ FT)	# OF PASSES	X2503000 MAINTENANCE MOWING (ACRE)	
RT STA 16+51.44	TO	RT STA 383+05.41	SB OUTSIDE	549,810	1	12.62
LT STA 16+51.44	TO	LT STA 382+80.00	NB OUTSIDE	549,428	1	12.61
RT STA 383+05.41	TO	RT STA 389+45.41	BRIDGE OMISSION			
LT STA 382+80.00	TO	LT STA 389+20.00	BRIDGE OMISSION			
RT STA 389+45.41	TO	RT STA 536+00.47	SB OUTSIDE	219,826	1	5.05
LT STA 389+20.00	TO	LT STA 536+00.47	WB OUTSIDE	220,207	1	5.06
<b>TOTAL</b>					<b>36</b>	

MODEL: P:\default  
 FILE: M:\MFC\_Plan\Subsect-pw-bead-fwy.com\PIV\DOT\Documents\DOT\_Offices\Dir\dir\_6\Project\10672C24\CAD\Drawings\_55\10\CAD\bead\bead10672C24-4-h-scched.dwg

USER NAME = Cloyd,Jack	DESIGNED -	REVISED -
	DRAWN -	REVISED -
PLOT SCALE = 20,0000 * / in.	CHECKED -	REVISED -
PLOT DATE = 8/23/2022	DATE -	REVISED -

**STATE OF ILLINOIS  
DEPARTMENT OF TRANSPORTATION**

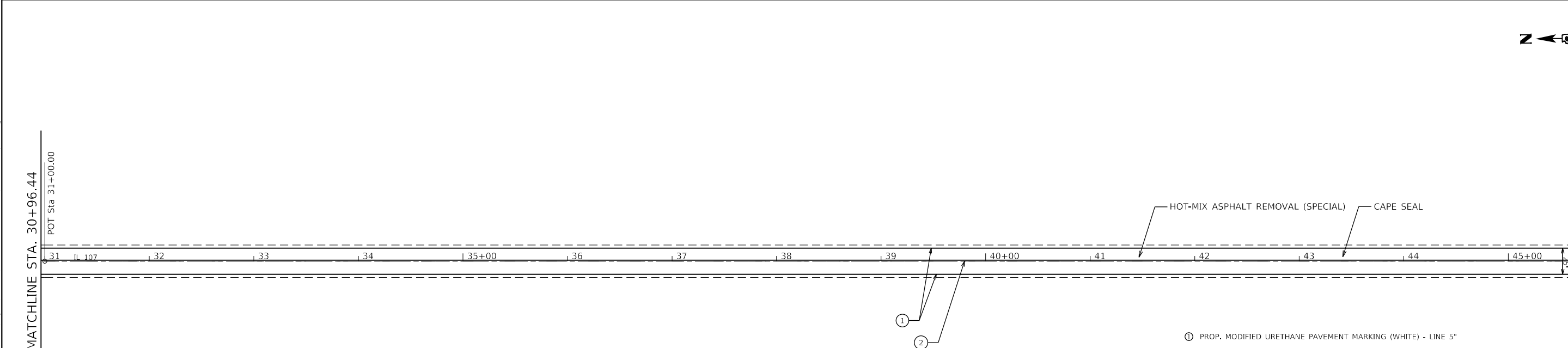
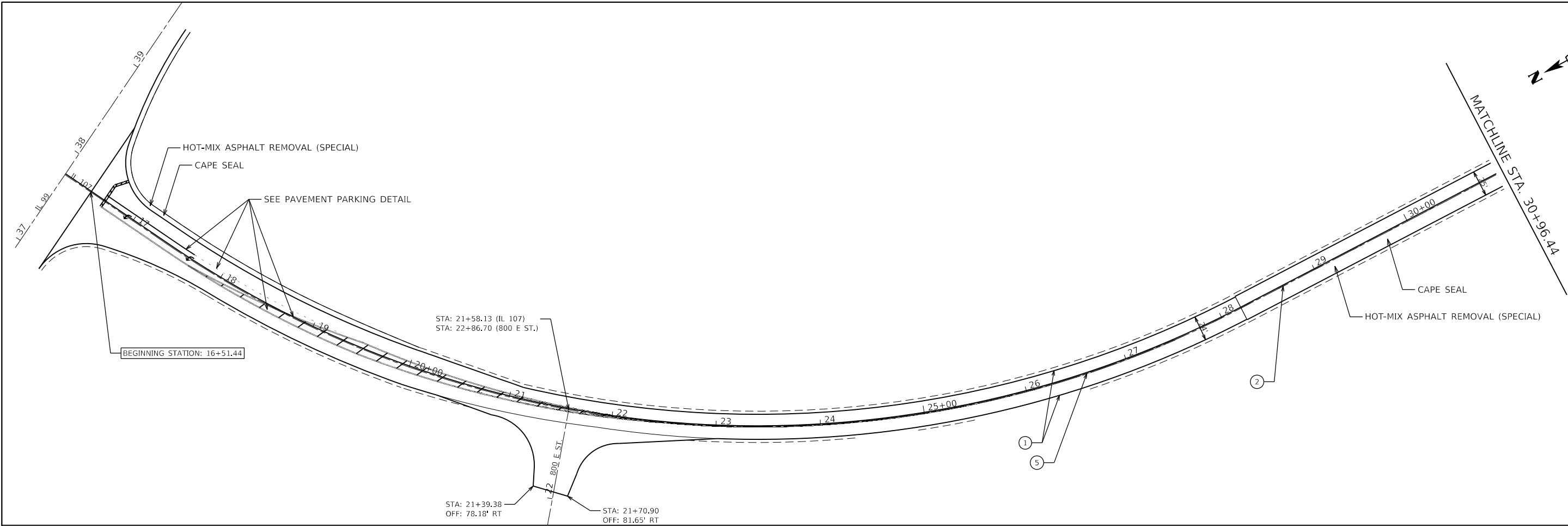
**SCHEDULE OF QUANTITIES**

SCALE: SHEET 2 OF 3 SHEETS STA. TO STA.

F.A.P RTE.	SECTION	COUNTY	TOTAL SHEETS	SHEET NO.
	(16,18) Q	BROWN	28	8
CONTRACT NO. 72C24				
ILLINOIS FED. AID PROJECT				







**NOTES**  
 1. SEE SCHEDULES FOR PAVEMENT MARKING STATIONS.

- ① PROP. MODIFIED URETHANE PAVEMENT MARKING (WHITE) - LINE 5"
- ② PROP. MODIFIED URETHANE PAVEMENT MARKING (SKIP-DASH YELLOW) - LINE 5"
- ③ PROP. MODIFIED URETHANE PAVEMENT MARKING (DOTTED WHITE) - LINE 6" 2' DASH - 6' SKIP
- ④ PROP. MODIFIED URETHANE PAVEMENT MARKING (YELLOW) - LINE 5"
- ⑤ PROP. MODIFIED URETHANE PAVEMENT MARKING (DOUBLE YELLOW) - LINE 5"
- ⑥ PROP. MODIFIED URETHANE PAVEMENT MARKING (WHITE) - LINE 6"
- ⑦ PROP. MODIFIED URETHANE PAVEMENT MARKING (YELLOW) - LINE 12"
- ⑧ PROP. MODIFIED URETHANE PAVEMENT MARKING (WHITE) - LINE 24"
- ⑨ PROP. MODIFIED URETHANE PAVEMENT MARKING - LETTERS & SYMBOLS

MODEL: Default  
 FILE: MainE: p:\plottest\sw\benfley.com\PHWDOT\Documents\DOT Offices\Bentley 6\Projects\0672C24\0672C24-Plan21.dgn

USER NAME = Cloyd,Jack	DESIGNED -	REVISED -
	DRAWN -	REVISED -
PLOT SCALE = 100,0000' / in.	CHECKED -	REVISED -
PLOT DATE = 8/26/2022	DATE -	REVISED -

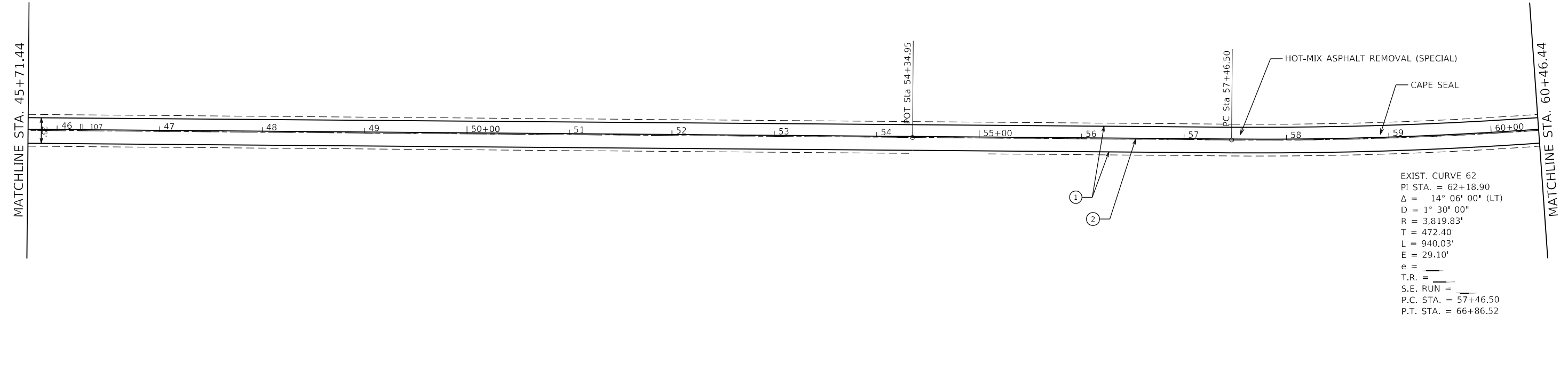
**STATE OF ILLINOIS  
 DEPARTMENT OF TRANSPORTATION**

<b>PLAN SHEETS</b>			
SCALE:	SHEET 1	OF 18 SHEETS	STA. TO STA.

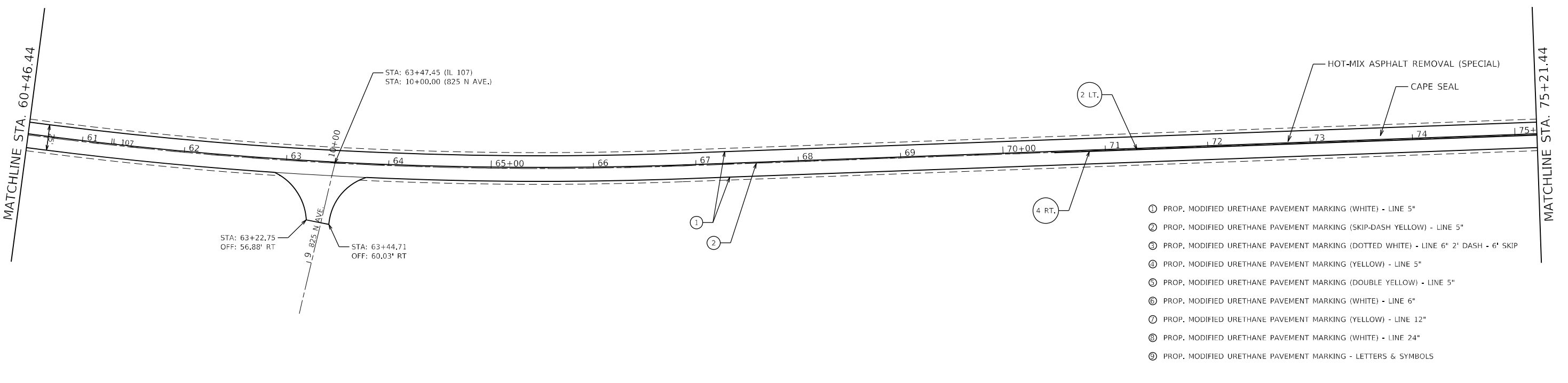
F.A.P. RTE.	SECTION	COUNTY	TOTAL SHEETS	SHEET NO.
*	(16,18) Q	BROWN	28	10
CONTRACT NO. 72C24				
ILLINOIS FED. AID PROJECT				

**NOTES**

1. SEE SCHEDULES FOR PAVEMENT MARKING STATIONS.



EXIST. CURVE 62  
 PI STA. = 62+18.90  
 $\Delta = 14^\circ 06' 00''$  (LT)  
 $D = 1^\circ 30' 00''$   
 $R = 3,819.83'$   
 $T = 472.40'$   
 $L = 940.03'$   
 $E = 29.10'$   
 $e =$   
 $T.R. =$   
 $S.E. RUN =$   
 $P.C. STA. = 57+46.50$   
 $P.T. STA. = 66+86.52$



- ① PROP. MODIFIED URETHANE PAVEMENT MARKING (WHITE) - LINE 5"
- ② PROP. MODIFIED URETHANE PAVEMENT MARKING (SKIP-DASH YELLOW) - LINE 5"
- ③ PROP. MODIFIED URETHANE PAVEMENT MARKING (DOTTED WHITE) - LINE 6' 2' DASH - 6' SKIP
- ④ PROP. MODIFIED URETHANE PAVEMENT MARKING (YELLOW) - LINE 5"
- ⑤ PROP. MODIFIED URETHANE PAVEMENT MARKING (DOUBLE YELLOW) - LINE 5"
- ⑥ PROP. MODIFIED URETHANE PAVEMENT MARKING (WHITE) - LINE 6"
- ⑦ PROP. MODIFIED URETHANE PAVEMENT MARKING (YELLOW) - LINE 12"
- ⑧ PROP. MODIFIED URETHANE PAVEMENT MARKING (WHITE) - LINE 24"
- ⑨ PROP. MODIFIED URETHANE PAVEMENT MARKING - LETTERS & SYMBOLS

MODEL: Default  
 FILE: Mainfile.pia  
 SUBJECT: new\_beaufay.com\FW\DOT\Documents\DOT\_Offices\Dir\dir\_6\Project\0672C24\0672C24.dwg  
 \$S:\0\CAD\sheet\0672C24\sheet\plan71.dgn

USER NAME = Cloyd,Jack	DESIGNED -	REVISED -
	DRAWN -	REVISED -
PLOT SCALE = 100,0000' / in.	CHECKED -	REVISED -
PLOT DATE = 8/23/2022	DATE -	REVISED -

**STATE OF ILLINOIS  
 DEPARTMENT OF TRANSPORTATION**

**PLAN SHEETS**

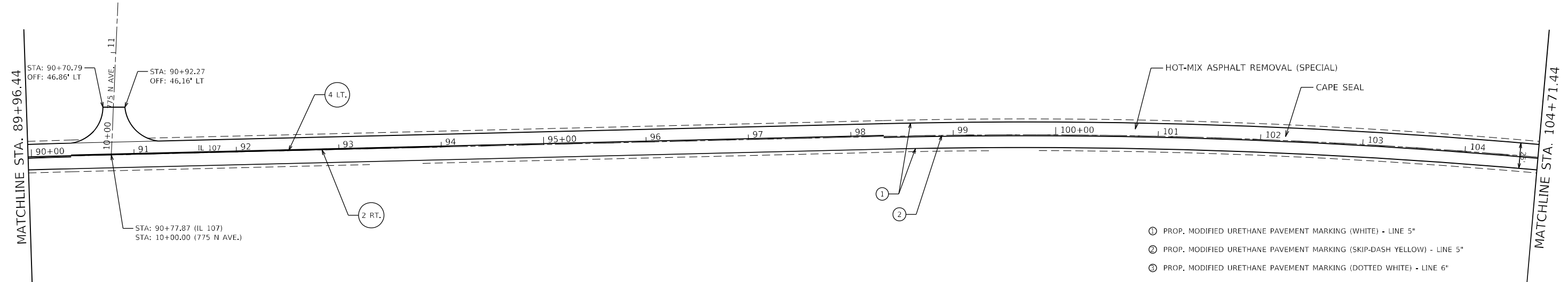
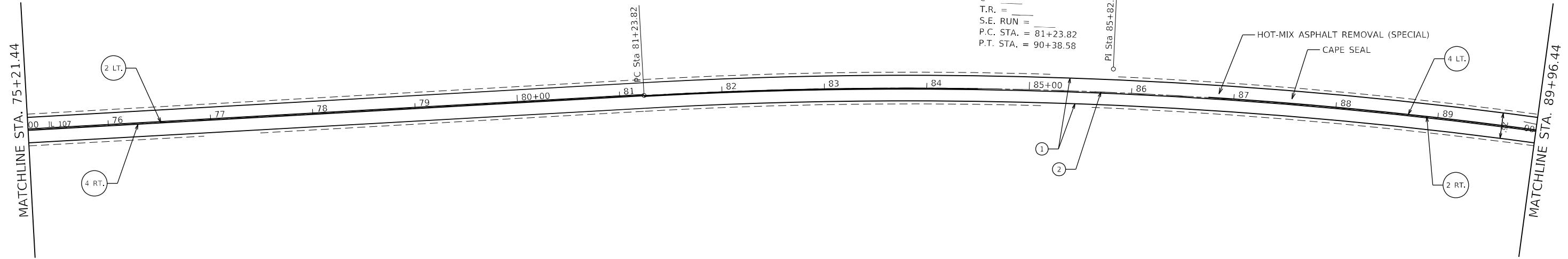
SCALE: SHEET 2 OF 18 SHEETS STA. TO STA.

F.A.P. RTE.	SECTION	COUNTY	TOTAL SHEETS	SHEET NO.
"	(16,18) Q	BROWN	28	11
CONTRACT NO. 72C24				
ILLINOIS FED. AID PROJECT				

**NOTES**

1. SEE SCHEDULES FOR PAVEMENT MARKING STATIONS.

EXIST. CURVE 85  
 PI STA. = 85+82.72  
 $\Delta = 11^\circ 26' 00''$  (RT)  
 $D = 1^\circ 15' 00''$   
 $R = 4,584.09'$   
 $T = 458.90'$   
 $L = 914.75'$   
 $E = 22.91'$   
 $e =$   
 $T.R. =$   
 $S.E. RUN =$   
 $P.C. STA. = 81+23.82$   
 $P.T. STA. = 90+38.58$



- ① PROP. MODIFIED URETHANE PAVEMENT MARKING (WHITE) - LINE 5"
- ② PROP. MODIFIED URETHANE PAVEMENT MARKING (SKIP-DASH YELLOW) - LINE 5"
- ③ PROP. MODIFIED URETHANE PAVEMENT MARKING (DOTTED WHITE) - LINE 6"
- ④ PROP. MODIFIED URETHANE PAVEMENT MARKING (YELLOW) - LINE 5" 2' DASH - 6' SKIP
- ⑤ PROP. MODIFIED URETHANE PAVEMENT MARKING (DOUBLE YELLOW) - LINE 5"
- ⑥ PROP. MODIFIED URETHANE PAVEMENT MARKING (WHITE) - LINE 6"
- ⑦ PROP. MODIFIED URETHANE PAVEMENT MARKING (YELLOW) - LINE 12"
- ⑧ PROP. MODIFIED URETHANE PAVEMENT MARKING (WHITE) - LINE 24"
- ⑨ PROP. MODIFIED URETHANE PAVEMENT MARKING - LETTERS & SYMBOLS

MODEL: P:\default  
 FILE: 72c24\pav\pav.dwg  
 PROJECT: 72c24\72c24\72c24.dwg  
 USER: jclark  
 DATE: 8/25/2022

USER NAME = Cloyd, Jack	DESIGNED -	REVISED -
PLOT SCALE = 100,0000' / in.	DRAWN -	REVISED -
PLOT DATE = 8/25/2022	CHECKED -	REVISED -
	DATE -	REVISED -

**STATE OF ILLINOIS  
 DEPARTMENT OF TRANSPORTATION**

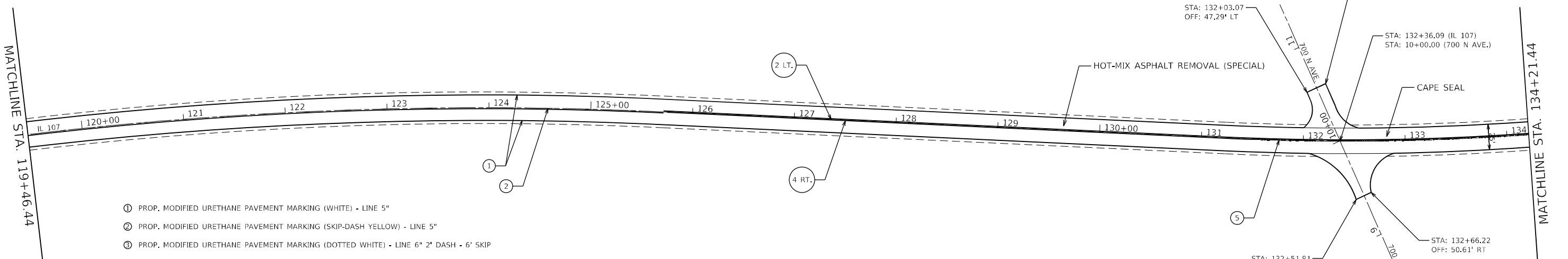
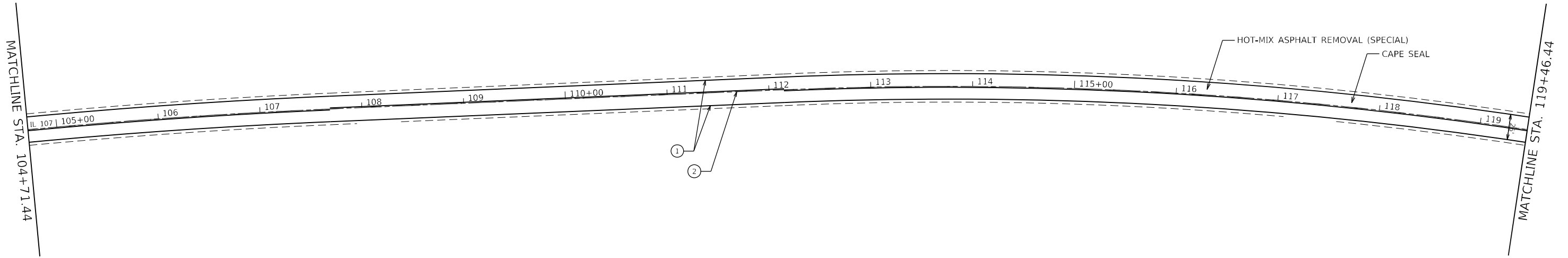
**PLAN SHEETS**

SCALE: SHEET 3 OF 18 SHEETS STA. TO STA.

F.A.P. RTE.	SECTION	COUNTY	TOTAL SHEETS	SHEET NO.
	(16,18) Q	BROWN	28	12
CONTRACT NO. 72C24				
ILLINOIS FED. AID PROJECT				

**NOTES**

1. SEE SCHEDULES FOR PAVEMENT MARKING STATIONS.



- ① PROP. MODIFIED URETHANE PAVEMENT MARKING (WHITE) - LINE 5"
- ② PROP. MODIFIED URETHANE PAVEMENT MARKING (SKIP-DASH YELLOW) - LINE 5"
- ③ PROP. MODIFIED URETHANE PAVEMENT MARKING (DOTTED WHITE) - LINE 6" 2" DASH - 6' SKIP
- ④ PROP. MODIFIED URETHANE PAVEMENT MARKING (YELLOW) - LINE 5"
- ⑤ PROP. MODIFIED URETHANE PAVEMENT MARKING (DOUBLE YELLOW) - LINE 5"
- ⑥ PROP. MODIFIED URETHANE PAVEMENT MARKING (WHITE) - LINE 6"
- ⑦ PROP. MODIFIED URETHANE PAVEMENT MARKING (YELLOW) - LINE 12"
- ⑧ PROP. MODIFIED URETHANE PAVEMENT MARKING (WHITE) - LINE 24"
- ⑨ PROP. MODIFIED URETHANE PAVEMENT MARKING - LETTERS & SYMBOLS

MODEL: Default  
 FILE: Mainfile.pia  
 SUBJECT: new bench.mxd  
 PROJECT: \\dot\Documents\DOT\Office\Dir\dir: E:\Project\10672C24\CAD\Drawings\_S5\10672C24\Sheet\plan71.dwg

USER NAME = Cloyd,Jack	DESIGNED -	REVISED -
	DRAWN -	REVISED -
PLOT SCALE = 100,0000' / in.	CHECKED -	REVISED -
PLOT DATE = 8/23/2022	DATE -	REVISED -

**STATE OF ILLINOIS  
DEPARTMENT OF TRANSPORTATION**

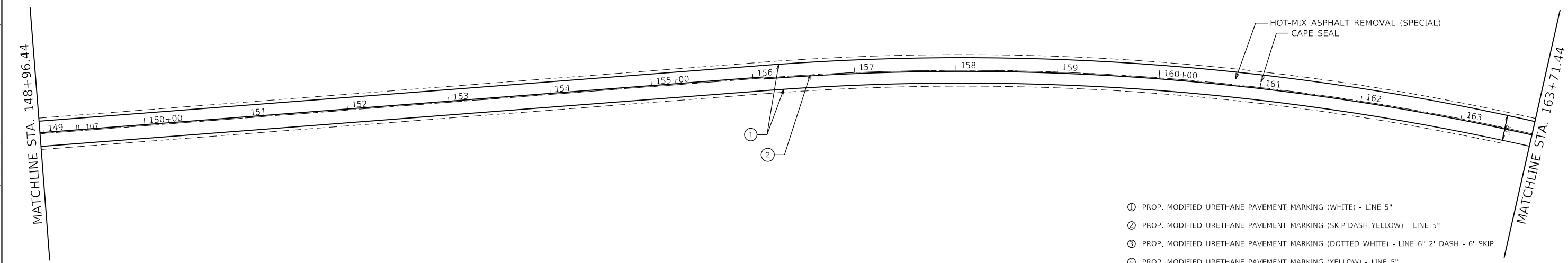
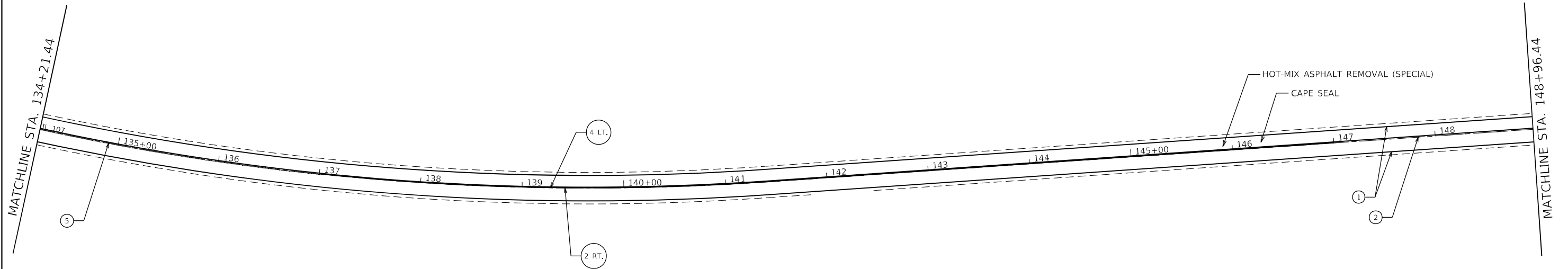
**PLAN SHEETS**

SCALE: SHEET 4 OF 18 SHEETS STA. TO STA.

F.A.P. RTE.	SECTION	COUNTY	TOTAL SHEETS	SHEET NO.
=	(16,18) Q	BROWN	28	13
CONTRACT NO. 72C24				
ILLINOIS FED. AID PROJECT				

**NOTES**

1. SEE SCHEDULES FOR PAVEMENT MARKING STATIONS.



- ① PROP. MODIFIED URETHANE PAVEMENT MARKING (WHITE) - LINE 5"
- ② PROP. MODIFIED URETHANE PAVEMENT MARKING (SKIP-DASH YELLOW) - LINE 5"
- ③ PROP. MODIFIED URETHANE PAVEMENT MARKING (DOTTED WHITE) - LINE 6" 2' DASH - 6' SKIP
- ④ PROP. MODIFIED URETHANE PAVEMENT MARKING (YELLOW) - LINE 5"
- ⑤ PROP. MODIFIED URETHANE PAVEMENT MARKING (DOUBLE YELLOW) - LINE 5"
- ⑥ PROP. MODIFIED URETHANE PAVEMENT MARKING (WHITE) - LINE 6"
- ⑦ PROP. MODIFIED URETHANE PAVEMENT MARKING (YELLOW) - LINE 12"
- ⑧ PROP. MODIFIED URETHANE PAVEMENT MARKING (WHITE) - LINE 24"
- ⑨ PROP. MODIFIED URETHANE PAVEMENT MARKING - LETTERS & SYMBOLS

MODEL: Default  
 FILE: Mainfile.pia  
 PROJECT: \\dot\Documents\DOT\Office\Director\Projects\0672C24\0672C24.dwg  
 PLOT DATE: 8/23/2022

USER NAME = Cloyd,Jack	DESIGNED -	REVISED -
	DRAWN -	REVISED -
PLOT SCALE = 100,0000' / in.	CHECKED -	REVISED -
PLOT DATE = 8/23/2022	DATE -	REVISED -

**STATE OF ILLINOIS  
DEPARTMENT OF TRANSPORTATION**

**PLAN SHEETS**

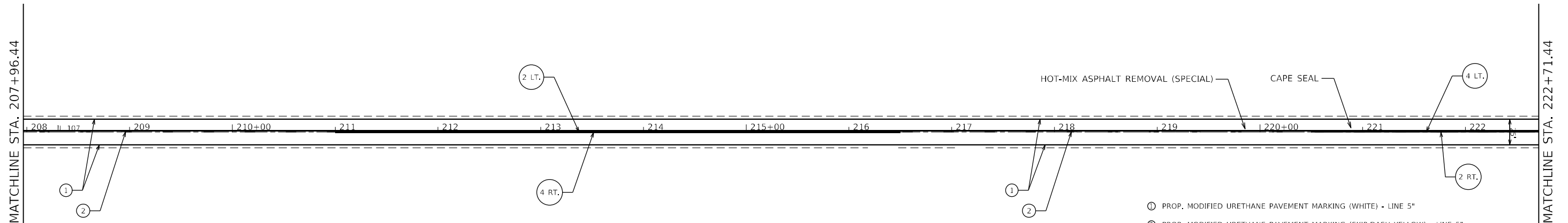
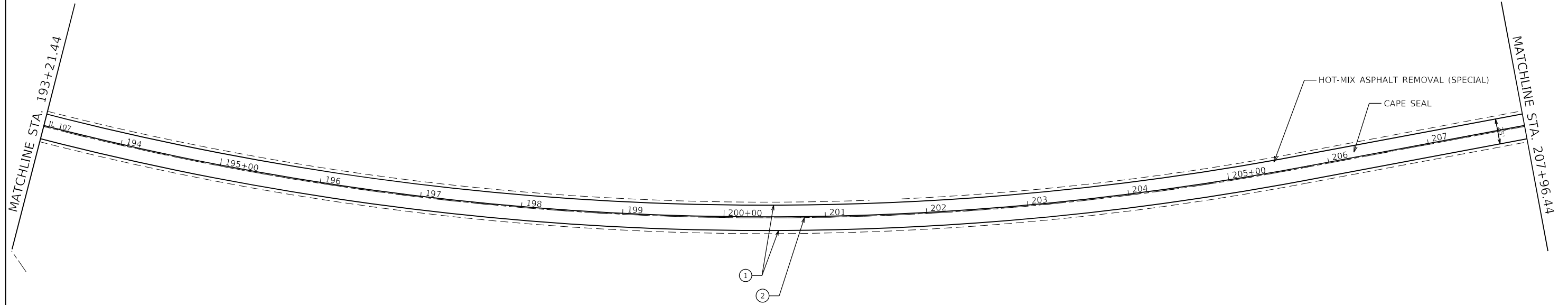
SCALE: SHEET 5 OF 18 SHEETS STA. TO STA.

F.A.P. RTE.	SECTION	COUNTY	TOTAL SHEETS	SHEET NO.
"	(16,18) Q	BROWN	28	14
CONTRACT NO. 72C24				
ILLINOIS FED. AID PROJECT				



**NOTES**

1. SEE SCHEDULES FOR PAVEMENT MARKING STATIONS.



- ① PROP. MODIFIED URETHANE PAVEMENT MARKING (WHITE) - LINE 5"
- ② PROP. MODIFIED URETHANE PAVEMENT MARKING (SKIP-DASH YELLOW) - LINE 5"
- ③ PROP. MODIFIED URETHANE PAVEMENT MARKING (DOTTED WHITE) - LINE 6" 2' DASH - 6' SKIP
- ④ PROP. MODIFIED URETHANE PAVEMENT MARKING (YELLOW) - LINE 5"
- ⑤ PROP. MODIFIED URETHANE PAVEMENT MARKING (DOUBLE YELLOW) - LINE 5"
- ⑥ PROP. MODIFIED URETHANE PAVEMENT MARKING (WHITE) - LINE 6"
- ⑦ PROP. MODIFIED URETHANE PAVEMENT MARKING (YELLOW) - LINE 12"
- ⑧ PROP. MODIFIED URETHANE PAVEMENT MARKING (WHITE) - LINE 24"
- ⑨ PROP. MODIFIED URETHANE PAVEMENT MARKING - LETTERS & SYMBOLS

MODEL: Default  
 FILE NAME: p:\project\72c24\documents\DOT Office\Drawings\5510\CAD\sheet\0672C24-4-1-1-1.dwg  
 PROJECT: 72C24

USER NAME = Cloyd, Jack	DESIGNED -	REVISED -
PLOT SCALE = 100,0000' / in.	DRAWN -	REVISED -
PLOT DATE = 8/23/2022	CHECKED -	REVISED -
	DATE -	REVISED -

**STATE OF ILLINOIS  
DEPARTMENT OF TRANSPORTATION**

**PLAN SHEETS**

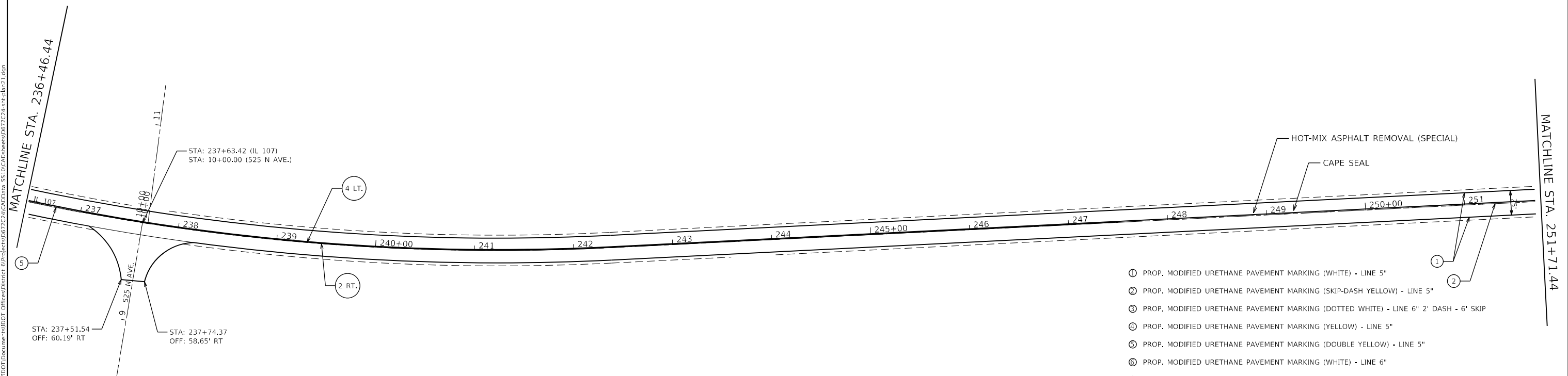
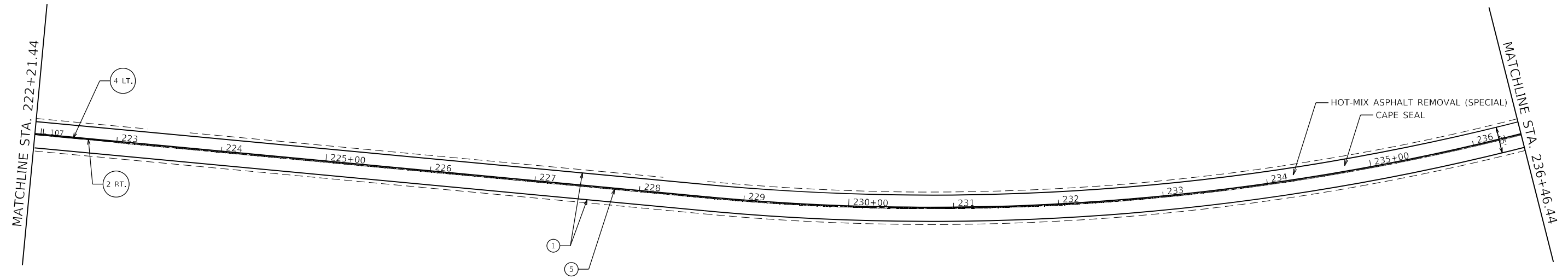
SCALE: SHEET 7 OF 18 SHEETS STA. TO STA.

F.A.P. RTE.	SECTION	COUNTY	TOTAL SHEETS	SHEET NO.
7	(16,18) Q	BROWN	28	16
CONTRACT NO. 72C24				



**NOTES**

1. SEE SCHEDULES FOR PAVEMENT MARKING STATIONS.



- ① PROP. MODIFIED URETHANE PAVEMENT MARKING (WHITE) - LINE 5"
- ② PROP. MODIFIED URETHANE PAVEMENT MARKING (SKIP-DASH YELLOW) - LINE 5"
- ③ PROP. MODIFIED URETHANE PAVEMENT MARKING (DOTTED WHITE) - LINE 6" 2' DASH - 6' SKIP
- ④ PROP. MODIFIED URETHANE PAVEMENT MARKING (YELLOW) - LINE 5"
- ⑤ PROP. MODIFIED URETHANE PAVEMENT MARKING (DOUBLE YELLOW) - LINE 5"
- ⑥ PROP. MODIFIED URETHANE PAVEMENT MARKING (WHITE) - LINE 6"
- ⑦ PROP. MODIFIED URETHANE PAVEMENT MARKING (YELLOW) - LINE 12"
- ⑧ PROP. MODIFIED URETHANE PAVEMENT MARKING (WHITE) - LINE 24"
- ⑨ PROP. MODIFIED URETHANE PAVEMENT MARKING - LETTERS & SYMBOLS

MODEL: Default  
 FILE: Mainfile.pdw  
 PROJECT: D:\Projects\72C24\72C24.dwg  
 PLOT DATE: 8/25/2022

USER NAME = Cloyd,Jack	DESIGNED -	REVISED -
PLOT SCALE = 100,0000' / in.	DRAWN -	REVISED -
PLOT DATE = 8/25/2022	CHECKED -	REVISED -
	DATE -	REVISED -

**STATE OF ILLINOIS  
DEPARTMENT OF TRANSPORTATION**

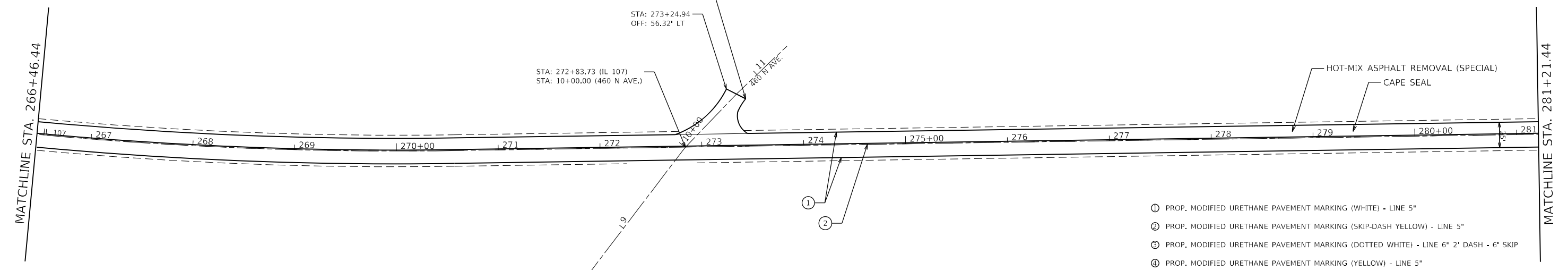
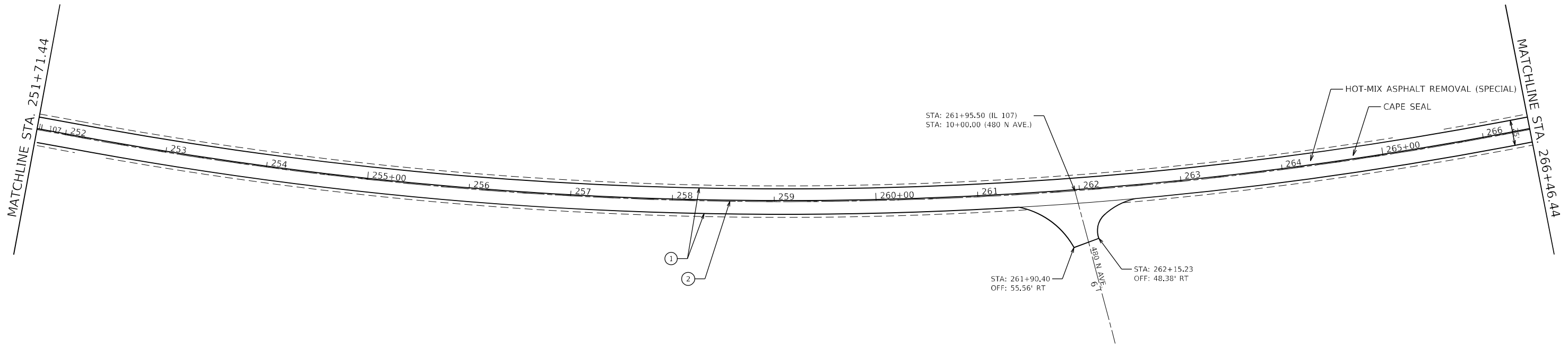
**PLAN SHEETS**

SCALE: SHEET 8 OF 18 SHEETS STA. TO STA.

F.A.P. RTE.	SECTION	COUNTY	TOTAL SHEETS	SHEET NO.
*	(16,18) Q	BROWN	28	17
CONTRACT NO. 72C24				
ILLINOIS FED. AID PROJECT				

**NOTES**

1. SEE SCHEDULES FOR PAVEMENT MARKING STATIONS.



- ① PROP. MODIFIED URETHANE PAVEMENT MARKING (WHITE) - LINE 5"
- ② PROP. MODIFIED URETHANE PAVEMENT MARKING (SKIP-DASH YELLOW) - LINE 5"
- ③ PROP. MODIFIED URETHANE PAVEMENT MARKING (DOTTED WHITE) - LINE 6' 2" DASH - 6' SKIP
- ④ PROP. MODIFIED URETHANE PAVEMENT MARKING (YELLOW) - LINE 5"
- ⑤ PROP. MODIFIED URETHANE PAVEMENT MARKING (DOUBLE YELLOW) - LINE 5"
- ⑥ PROP. MODIFIED URETHANE PAVEMENT MARKING (WHITE) - LINE 6"
- ⑦ PROP. MODIFIED URETHANE PAVEMENT MARKING (YELLOW) - LINE 12"
- ⑧ PROP. MODIFIED URETHANE PAVEMENT MARKING (WHITE) - LINE 24"
- ⑨ PROP. MODIFIED URETHANE PAVEMENT MARKING - LETTERS & SYMBOLS

MODEL: Default  
 FILE: Mainfile.pia  
 PROJECT: D:\Projects\72C24\72C24.dwg  
 USER: jclark  
 DATE: 8/23/2022

USER NAME = Cloyd,Jack	DESIGNED -	REVISED -
	DRAWN -	REVISED -
PLOT SCALE = 100,0000' / in.	CHECKED -	REVISED -
PLOT DATE = 8/23/2022	DATE -	REVISED -

**STATE OF ILLINOIS  
DEPARTMENT OF TRANSPORTATION**

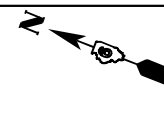
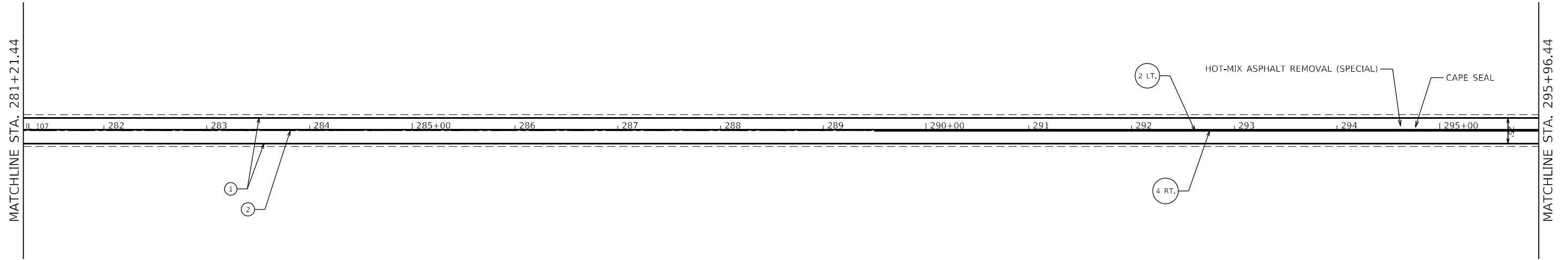
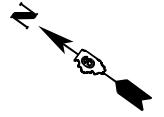
**PLAN SHEETS**

SCALE: SHEET 9 OF 18 SHEETS STA. TO STA.

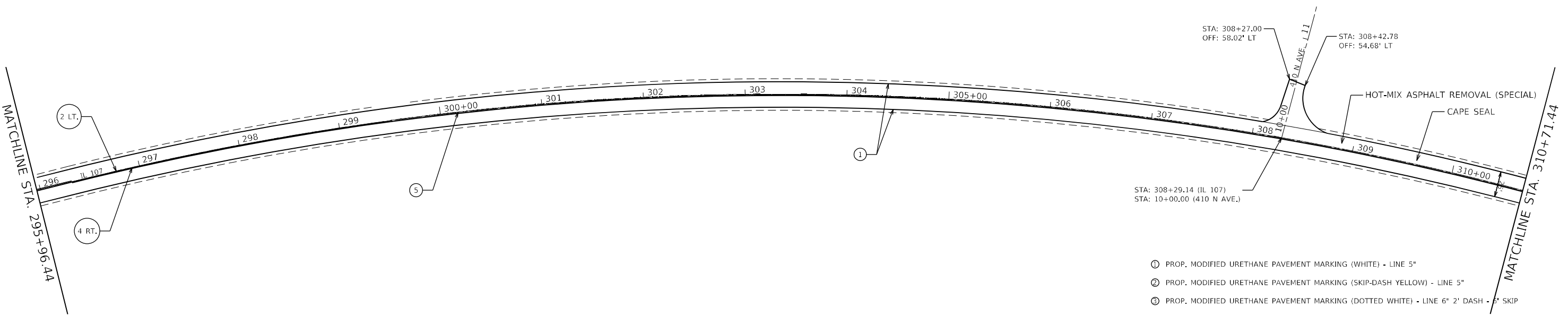
F.A.P. RTE.	SECTION	COUNTY	TOTAL SHEETS	SHEET NO.
"	(16,18) Q	BROWN	28	18
CONTRACT NO. 72C24				
ILLINOIS FED. AID PROJECT				

**NOTES**

1. SEE SCHEDULES FOR PAVEMENT MARKING STATIONS.



MODEL: Default  
 FILE: Mainfile.pia  
 PROJECT: \\dot\Documents\DOT Office\Dir\dot\Projects\0672C24\0672C24.dwg  
 USER: jclark



- ① PROP. MODIFIED URETHANE PAVEMENT MARKING (WHITE) - LINE 5"
- ② PROP. MODIFIED URETHANE PAVEMENT MARKING (SKIP-DASH YELLOW) - LINE 5"
- ③ PROP. MODIFIED URETHANE PAVEMENT MARKING (DOTTED WHITE) - LINE 6" 2' DASH - 6" SKIP
- ④ PROP. MODIFIED URETHANE PAVEMENT MARKING (YELLOW) - LINE 5"
- ⑤ PROP. MODIFIED URETHANE PAVEMENT MARKING (DOUBLE YELLOW) - LINE 5"
- ⑥ PROP. MODIFIED URETHANE PAVEMENT MARKING (WHITE) - LINE 6"
- ⑦ PROP. MODIFIED URETHANE PAVEMENT MARKING (YELLOW) - LINE 12"
- ⑧ PROP. MODIFIED URETHANE PAVEMENT MARKING (WHITE) - LINE 24"
- ⑨ PROP. MODIFIED URETHANE PAVEMENT MARKING - LETTERS & SYMBOLS

USER NAME = Cloyd, Jack	DESIGNED -	REVISED -
PLOT SCALE = 100,0000' / in.	DRAWN -	REVISED -
PLOT DATE = 8/25/2022	CHECKED -	REVISED -
	DATE -	REVISED -

**STATE OF ILLINOIS  
DEPARTMENT OF TRANSPORTATION**

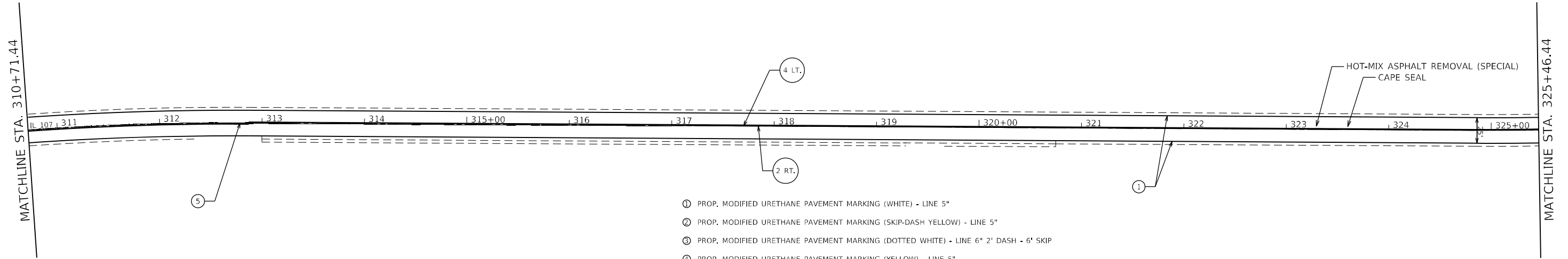
**PLAN SHEETS**

SCALE: SHEET 10 OF 18 SHEETS STA. TO STA.

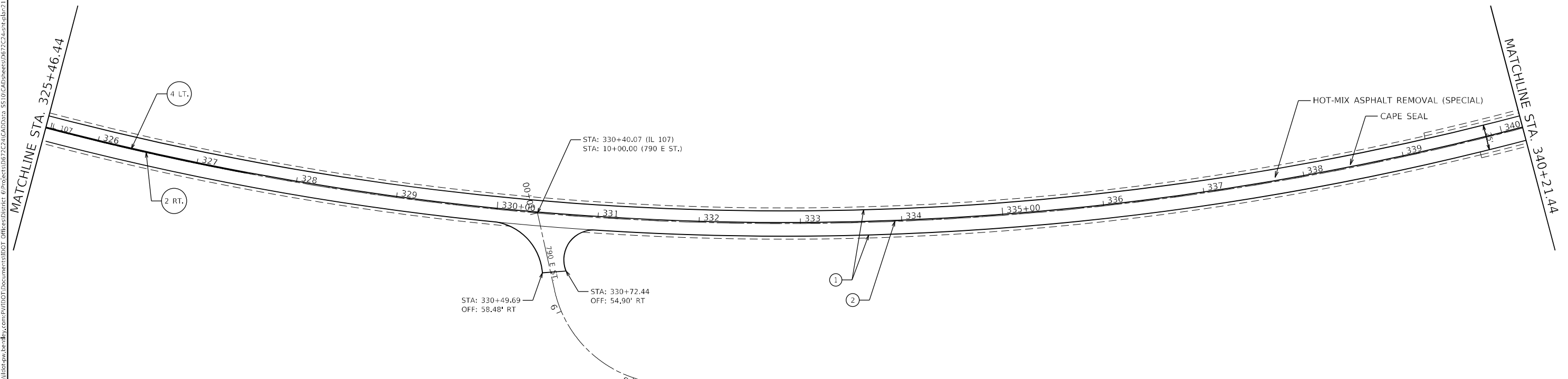
F.A.P. RTE.	SECTION	COUNTY	TOTAL SHEETS	SHEET NO.
	(16,18) Q	BROWN	28	19
CONTRACT NO. 72C24				
ILLINOIS FED. AID PROJECT				

**NOTES**

1. SEE SCHEDULES FOR PAVEMENT MARKING STATIONS.



- ① PROP. MODIFIED URETHANE PAVEMENT MARKING (WHITE) - LINE 5"
- ② PROP. MODIFIED URETHANE PAVEMENT MARKING (SKIP-DASH YELLOW) - LINE 5"
- ③ PROP. MODIFIED URETHANE PAVEMENT MARKING (DOTTED WHITE) - LINE 6" 2' DASH - 6' SKIP
- ④ PROP. MODIFIED URETHANE PAVEMENT MARKING (YELLOW) - LINE 5"
- ⑤ PROP. MODIFIED URETHANE PAVEMENT MARKING (DOUBLE YELLOW) - LINE 5"
- ⑥ PROP. MODIFIED URETHANE PAVEMENT MARKING (WHITE) - LINE 6"
- ⑦ PROP. MODIFIED URETHANE PAVEMENT MARKING (YELLOW) - LINE 12"
- ⑧ PROP. MODIFIED URETHANE PAVEMENT MARKING (WHITE) - LINE 24"
- ⑨ PROP. MODIFIED URETHANE PAVEMENT MARKING - LETTERS & SYMBOLS



MODEL: Default  
 FILE: Mainfile.pia  
 PROJECT: D:\Projects\DOT\Documents\DOT\Office\Drawings\5510\CAD\Sheet\0672C24\Sheet\plan71.dgn

USER NAME = Cloyd,Jack	DESIGNED -	REVISED -
	DRAWN -	REVISED -
PLOT SCALE = 100,0000' / in.	CHECKED -	REVISED -
PLOT DATE = 8/25/2022	DATE -	REVISED -

**STATE OF ILLINOIS  
DEPARTMENT OF TRANSPORTATION**

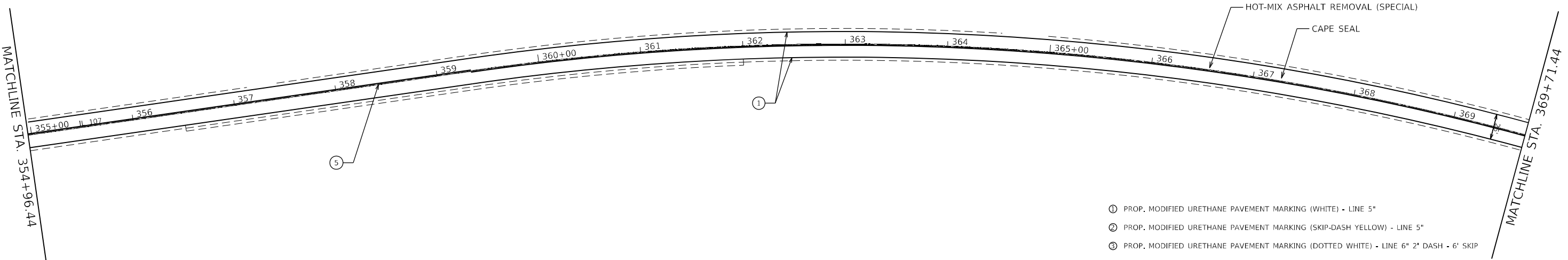
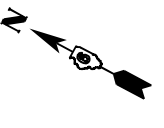
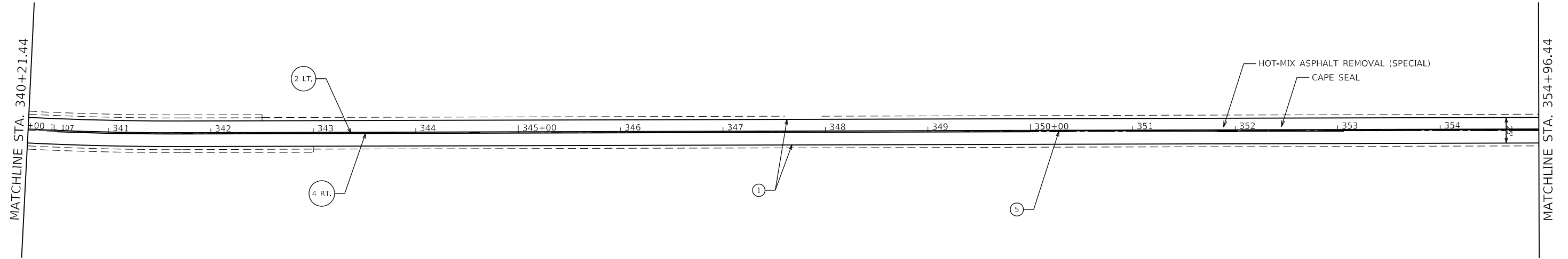
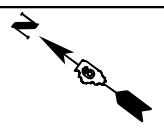
**PLAN SHEETS**

SCALE: SHEET 11 OF 18 SHEETS STA. TO STA.

F.A.P. RTE.	SECTION	COUNTY	TOTAL SHEETS	SHEET NO.
*	(16,18) Q	BROWN	28	20
CONTRACT NO. 72C24				

**NOTES**

1. SEE SCHEDULES FOR PAVEMENT MARKING STATIONS.



- ① PROP. MODIFIED URETHANE PAVEMENT MARKING (WHITE) - LINE 5"
- ② PROP. MODIFIED URETHANE PAVEMENT MARKING (SKIP-DASH YELLOW) - LINE 5"
- ③ PROP. MODIFIED URETHANE PAVEMENT MARKING (DOTTED WHITE) - LINE 6" 2' DASH - 6' SKIP
- ④ PROP. MODIFIED URETHANE PAVEMENT MARKING (YELLOW) - LINE 5"
- ⑤ PROP. MODIFIED URETHANE PAVEMENT MARKING (DOUBLE YELLOW) - LINE 5"
- ⑥ PROP. MODIFIED URETHANE PAVEMENT MARKING (WHITE) - LINE 6"
- ⑦ PROP. MODIFIED URETHANE PAVEMENT MARKING (YELLOW) - LINE 12"
- ⑧ PROP. MODIFIED URETHANE PAVEMENT MARKING (WHITE) - LINE 24"
- ⑨ PROP. MODIFIED URETHANE PAVEMENT MARKING - LETTERS & SYMBOLS

MODEL: P:\default  
 FILE: M:\MIS\_Plan\Subsect-pw-bee-fwy.com\PIV\DOT\Documents\1\DOT\_offices\Dir\rdet\_6\Project\10672C24\0672C24-esh-4-ban71.dgn

USER NAME = Cloyd,Jack	DESIGNED -	REVISED -
	DRAWN -	REVISED -
PLOT SCALE = 100,0000 ' / in.	CHECKED -	REVISED -
PLOT DATE = 8/23/2022	DATE -	REVISED -

**STATE OF ILLINOIS  
DEPARTMENT OF TRANSPORTATION**

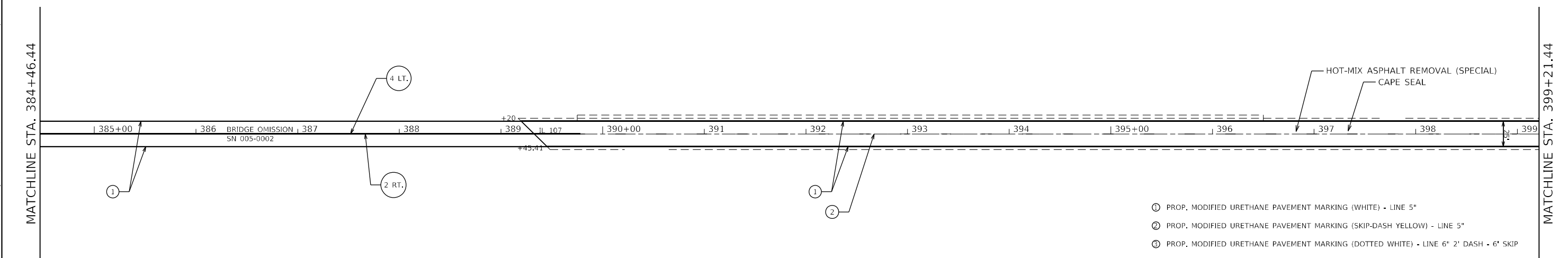
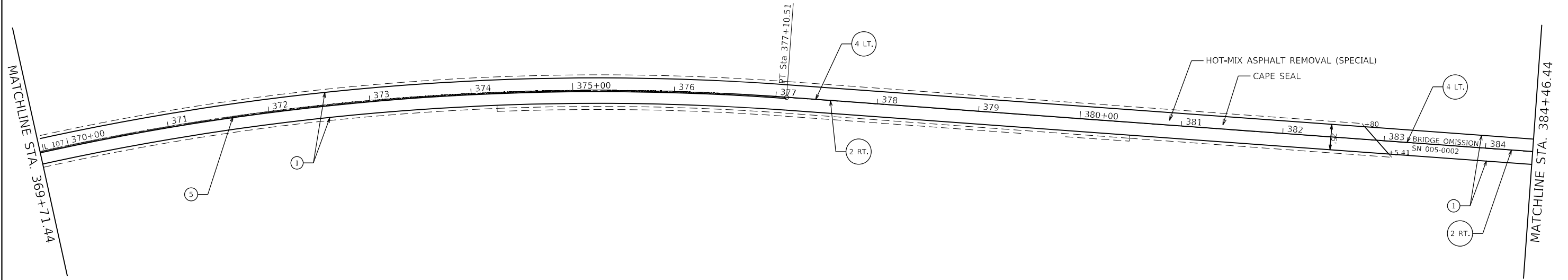
**PLAN SHEETS**

SCALE: SHEET 12 OF 18 SHEETS STA. TO STA.

F.A.P. RTE.	SECTION	COUNTY	TOTAL SHEETS	SHEET NO.
=	(16,18) Q	BROWN	28	21
CONTRACT NO. 72C24				
ILLINOIS FED. AID PROJECT				

**NOTES**

1. SEE SCHEDULES FOR PAVEMENT MARKING STATIONS.



- ① PROP. MODIFIED URETHANE PAVEMENT MARKING (WHITE) - LINE 5"
- ② PROP. MODIFIED URETHANE PAVEMENT MARKING (SKIP-DASH YELLOW) - LINE 5"
- ③ PROP. MODIFIED URETHANE PAVEMENT MARKING (DOTTED WHITE) - LINE 6' 2' DASH - 6' SKIP
- ④ PROP. MODIFIED URETHANE PAVEMENT MARKING (YELLOW) - LINE 5"
- ⑤ PROP. MODIFIED URETHANE PAVEMENT MARKING (DOUBLE YELLOW) - LINE 5"
- ⑥ PROP. MODIFIED URETHANE PAVEMENT MARKING (WHITE) - LINE 6"
- ⑦ PROP. MODIFIED URETHANE PAVEMENT MARKING (YELLOW) - LINE 12"
- ⑧ PROP. MODIFIED URETHANE PAVEMENT MARKING (WHITE) - LINE 24"
- ⑨ PROP. MODIFIED URETHANE PAVEMENT MARKING - LETTERS & SYMBOLS

MODEL: Default  
 FILE: Mainfile.pia  
 PROJECT: \\dot\Documents\DOT Office\Dir\dir\6\Project\0672C24\0672C24.dwg  
 USER: Jack.Cloyd

USER NAME = Cloyd,Jack	DESIGNED -	REVISED -
PLOT SCALE = 100,0000' / in.	DRAWN -	REVISED -
PLOT DATE = 8/23/2022	CHECKED -	REVISED -
	DATE -	REVISED -

**STATE OF ILLINOIS  
DEPARTMENT OF TRANSPORTATION**

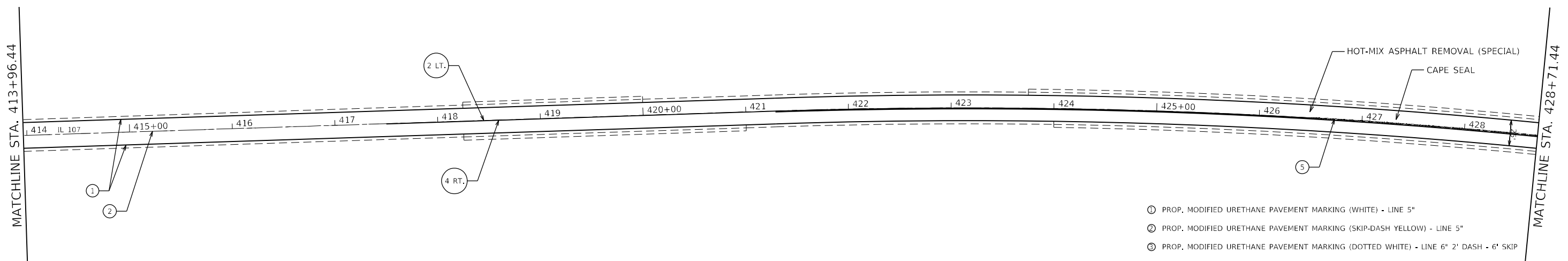
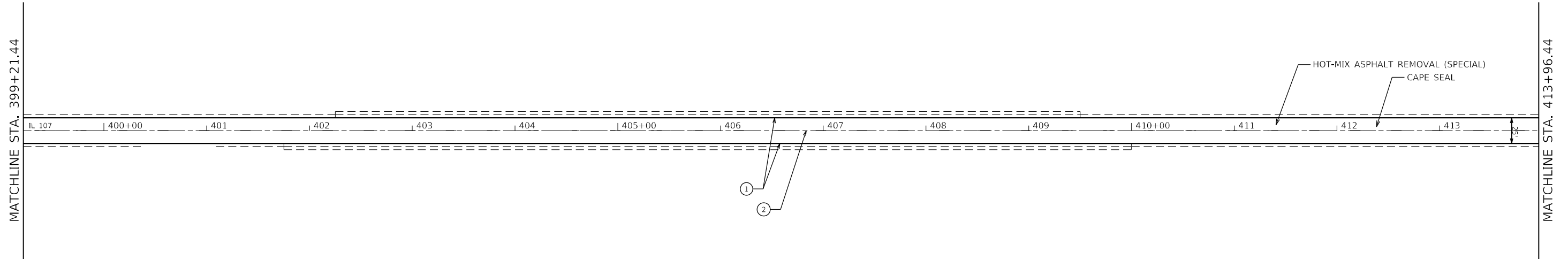
**PLAN SHEETS**

SCALE: SHEET 13 OF 18 SHEETS STA. TO STA.

F.A.P. RTE.	SECTION	COUNTY	TOTAL SHEETS	SHEET NO.
*	(16,18) Q	BROWN	28	22
CONTRACT NO. 72C24				
ILLINOIS FED. AID PROJECT				

**NOTES**

1. SEE SCHEDULES FOR PAVEMENT MARKING STATIONS.



- ① PROP. MODIFIED URETHANE PAVEMENT MARKING (WHITE) - LINE 5"
- ② PROP. MODIFIED URETHANE PAVEMENT MARKING (SKIP-DASH YELLOW) - LINE 5"
- ③ PROP. MODIFIED URETHANE PAVEMENT MARKING (DOTTED WHITE) - LINE 6" 2' DASH - 6' SKIP
- ④ PROP. MODIFIED URETHANE PAVEMENT MARKING (YELLOW) - LINE 5"
- ⑤ PROP. MODIFIED URETHANE PAVEMENT MARKING (DOUBLE YELLOW) - LINE 5"
- ⑥ PROP. MODIFIED URETHANE PAVEMENT MARKING (WHITE) - LINE 6"
- ⑦ PROP. MODIFIED URETHANE PAVEMENT MARKING (YELLOW) - LINE 12"
- ⑧ PROP. MODIFIED URETHANE PAVEMENT MARKING (WHITE) - LINE 24"
- ⑨ PROP. MODIFIED URETHANE PAVEMENT MARKING - LETTERS & SYMBOLS

MODEL: Default  
 FILE: Mainfile.pxl  
 SUBJECT: new\_beaufay.com:PIV\DOT\Documents\DOT Office\Director: E:\Project\0672C24\0672C24-44\plan71.dgn

USER NAME = Cloyd,Jack	DESIGNED -	REVISED -
	DRAWN -	REVISED -
PLOT SCALE = 100,0000 ' / in.	CHECKED -	REVISED -
PLOT DATE = 8/23/2022	DATE -	REVISED -

**STATE OF ILLINOIS  
DEPARTMENT OF TRANSPORTATION**

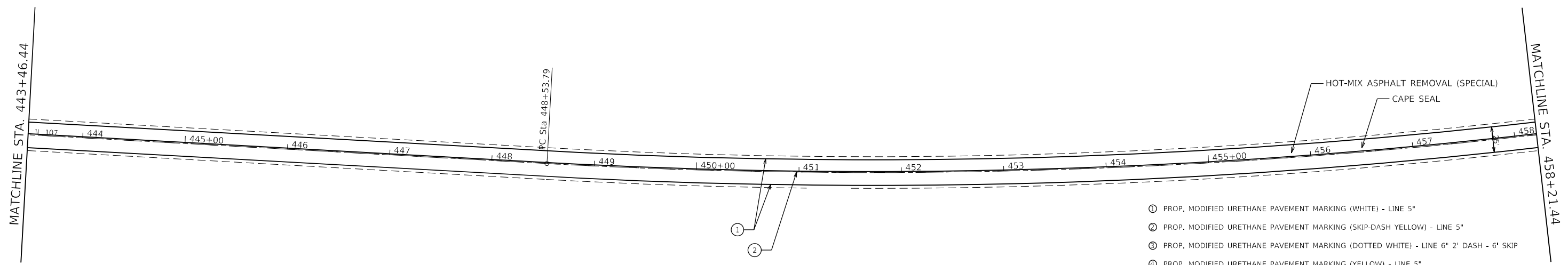
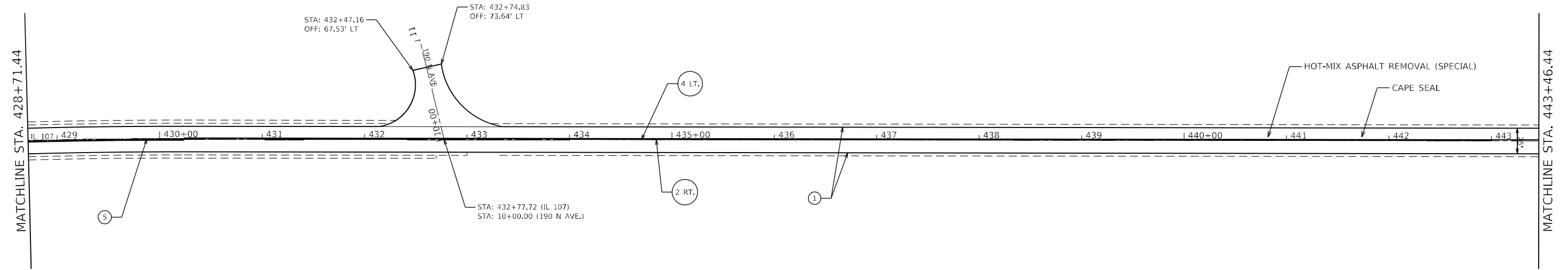
**PLAN SHEETS**

SCALE: SHEET 14 OF 18 SHEETS STA. TO STA.

F.A.P. RTE.	SECTION	COUNTY	TOTAL SHEETS	SHEET NO.
*	(16,18) Q	BROWN	28	23
CONTRACT NO. 72C24				
ILLINOIS FED. AID PROJECT				

**NOTES**

1. SEE SCHEDULES FOR PAVEMENT MARKING STATIONS.



- ① PROP. MODIFIED URETHANE PAVEMENT MARKING (WHITE) - LINE 5"
- ② PROP. MODIFIED URETHANE PAVEMENT MARKING (SKIP-DASH YELLOW) - LINE 5"
- ③ PROP. MODIFIED URETHANE PAVEMENT MARKING (DOTTED WHITE) - LINE 6" 2' DASH - 6' SKIP
- ④ PROP. MODIFIED URETHANE PAVEMENT MARKING (YELLOW) - LINE 5"
- ⑤ PROP. MODIFIED URETHANE PAVEMENT MARKING (DOUBLE YELLOW) - LINE 5"
- ⑥ PROP. MODIFIED URETHANE PAVEMENT MARKING (WHITE) - LINE 6"
- ⑦ PROP. MODIFIED URETHANE PAVEMENT MARKING (YELLOW) - LINE 12"
- ⑧ PROP. MODIFIED URETHANE PAVEMENT MARKING (WHITE) - LINE 24"
- ⑨ PROP. MODIFIED URETHANE PAVEMENT MARKING - LETTERS & SYMBOLS

MODEL: Default  
 FILE: Mainfile.pxl  
 SUBJECT: new\_bentley.com:PLW/IDOT:Documents\IDOT\_offices\Dir\dir: E:\Project\10672C24\10672C24.dwg  
 55\10\CAD\sheeters\10672C24\sheet46.44.15.dwg

USER NAME = Cloyd,Jack	DESIGNED -	REVISED -
	DRAWN -	REVISED -
PLOT SCALE = 100,0000' / in.	CHECKED -	REVISED -
PLOT DATE = 8/25/2022	DATE -	REVISED -

**STATE OF ILLINOIS  
DEPARTMENT OF TRANSPORTATION**

**PLAN SHEETS**

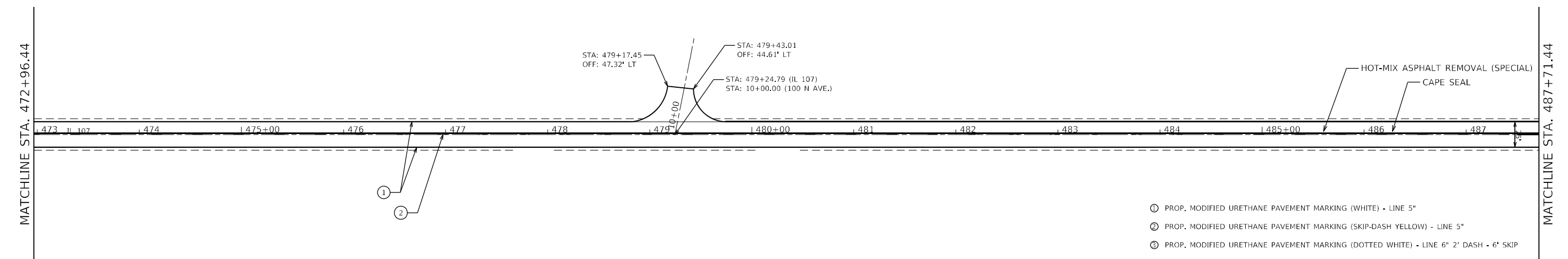
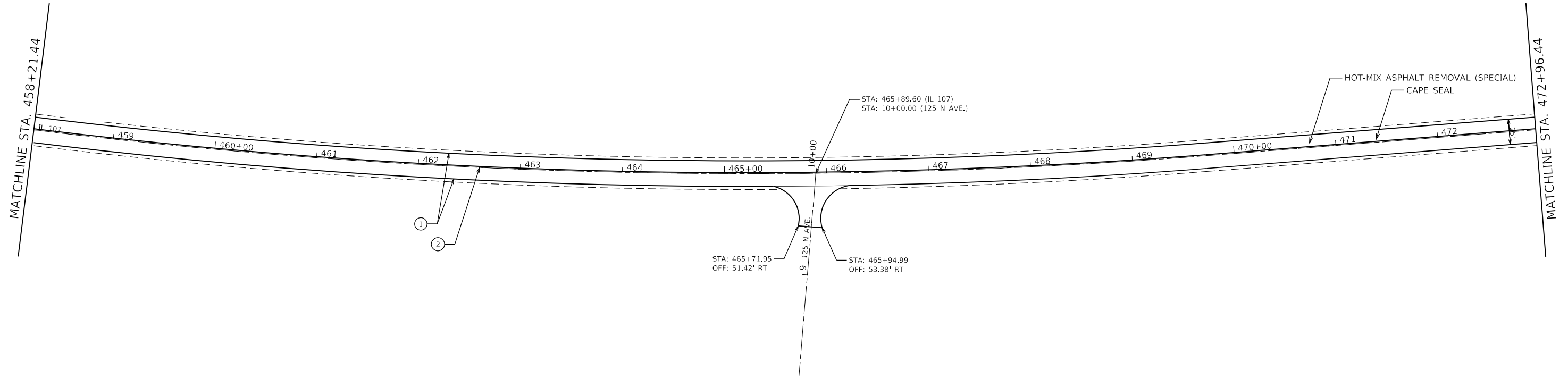
SCALE: SHEET 15 OF 18 SHEETS STA. TO STA.

F.A.P. RTE.	SECTION	COUNTY	TOTAL SHEETS	SHEET NO.
*	(16,18) Q	BROWN	28	24
CONTRACT NO. 72C24				
ILLINOIS FED. AID PROJECT				



**NOTES**

1. SEE SCHEDULES FOR PAVEMENT MARKING STATIONS.



- ① PROP. MODIFIED URETHANE PAVEMENT MARKING (WHITE) - LINE 5"
- ② PROP. MODIFIED URETHANE PAVEMENT MARKING (SKIP-DASH YELLOW) - LINE 5"
- ③ PROP. MODIFIED URETHANE PAVEMENT MARKING (DOTTED WHITE) - LINE 6" 2' DASH - 6' SKIP
- ④ PROP. MODIFIED URETHANE PAVEMENT MARKING (YELLOW) - LINE 5"
- ⑤ PROP. MODIFIED URETHANE PAVEMENT MARKING (DOUBLE YELLOW) - LINE 5"
- ⑥ PROP. MODIFIED URETHANE PAVEMENT MARKING (WHITE) - LINE 6"
- ⑦ PROP. MODIFIED URETHANE PAVEMENT MARKING (YELLOW) - LINE 12"
- ⑧ PROP. MODIFIED URETHANE PAVEMENT MARKING (WHITE) - LINE 24"
- ⑨ PROP. MODIFIED URETHANE PAVEMENT MARKING - LETTERS & SYMBOLS

MODEL: Default  
 FILE: \\na16f-pw-bentley.com\P\11\DOT\Documents\1\DOT\Office\Dir\refr\_6\Project\10672C24\CD\0013\_55\10\CADsheets\0672C24-sheet16b71.dgn

USER NAME = Cloyd,Jack	DESIGNED -	REVISED -
	DRAWN -	REVISED -
PLOT SCALE = 100,0000' / in.	CHECKED -	REVISED -
PLOT DATE = 8/23/2022	DATE -	REVISED -

**STATE OF ILLINOIS  
DEPARTMENT OF TRANSPORTATION**

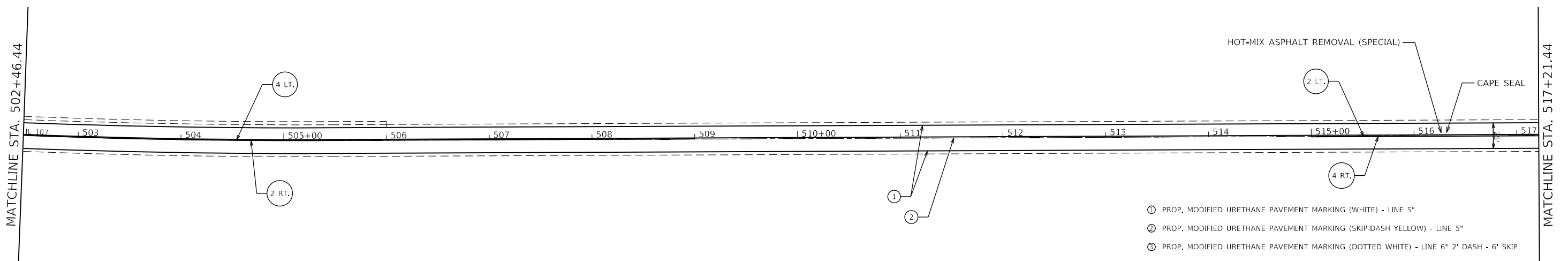
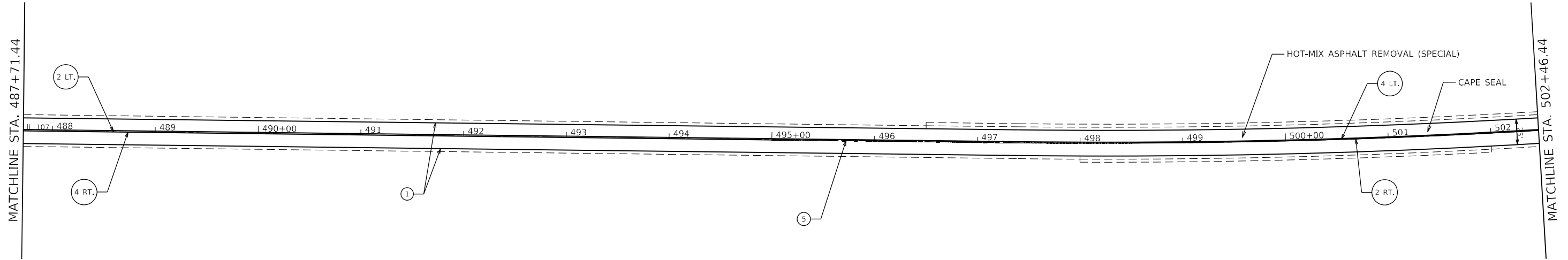
**PLAN SHEETS**

SCALE: SHEET 16 OF 18 SHEETS STA. TO STA.

F.A.P. RTE.	SECTION	COUNTY	TOTAL SHEETS	SHEET NO.
*	(16,18) Q	BROWN	28	25
CONTRACT NO. 72C24				
ILLINOIS FED. AID PROJECT				

**NOTES**

1. SEE SCHEDULES FOR PAVEMENT MARKING STATIONS.



- ① PROP. MODIFIED URETHANE PAVEMENT MARKING (WHITE) - LINE 5"
- ② PROP. MODIFIED URETHANE PAVEMENT MARKING (SKIP-DASH YELLOW) - LINE 5"
- ③ PROP. MODIFIED URETHANE PAVEMENT MARKING (DOTTED WHITE) - LINE 6' 2' DASH - 6' SKIP
- ④ PROP. MODIFIED URETHANE PAVEMENT MARKING (YELLOW) - LINE 5"
- ⑤ PROP. MODIFIED URETHANE PAVEMENT MARKING (DOUBLE YELLOW) - LINE 5"
- ⑥ PROP. MODIFIED URETHANE PAVEMENT MARKING (WHITE) - LINE 6"
- ⑦ PROP. MODIFIED URETHANE PAVEMENT MARKING (YELLOW) - LINE 12"
- ⑧ PROP. MODIFIED URETHANE PAVEMENT MARKING (WHITE) - LINE 24"
- ⑨ PROP. MODIFIED URETHANE PAVEMENT MARKING - LETTERS & SYMBOLS

MODEL: Default  
 FILE: Mainfile.pia  
 SUBJECT: new\_benefit.com  
 PWD:DOT:Documents\DOT\_Offices\Director\_E\Projects\0672C24\0672C24-17-17.dgn

USER NAME = Cloyd,Jack	DESIGNED -	REVISED -
	DRAWN -	REVISED -
PLOT SCALE = 100,0000' / in.	CHECKED -	REVISED -
PLOT DATE = 8/25/2022	DATE -	REVISED -

**STATE OF ILLINOIS  
DEPARTMENT OF TRANSPORTATION**

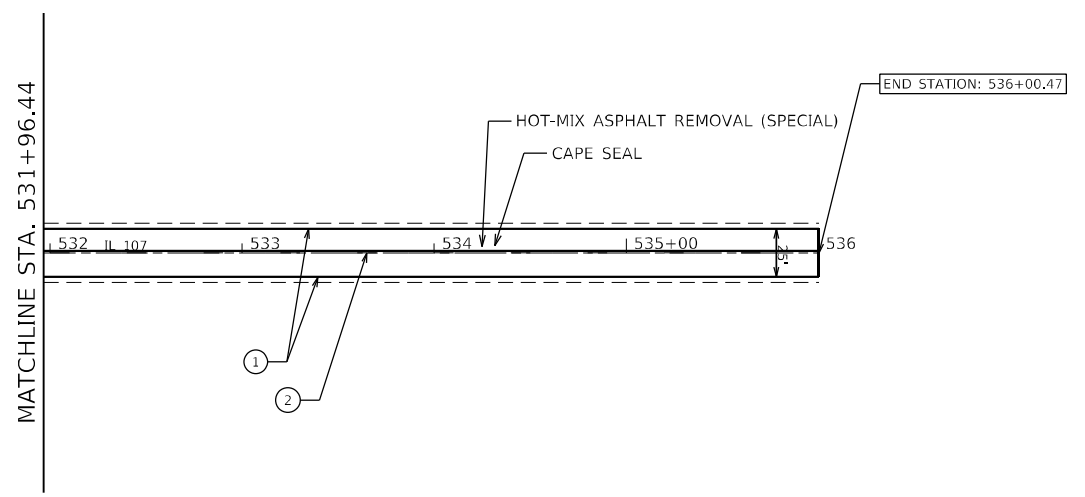
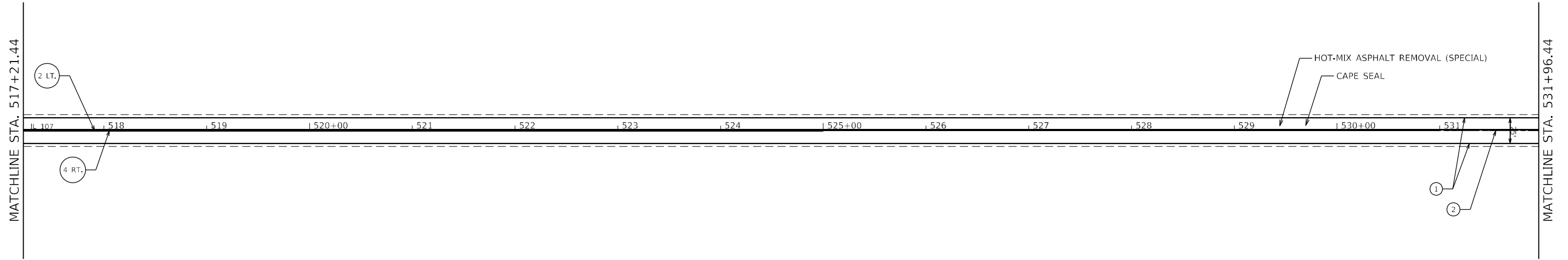
**PLAN SHEETS**

SCALE: SHEET 17 OF 18 SHEETS STA. TO STA.

F.A.P. RTE.	SECTION	COUNTY	TOTAL SHEETS	SHEET NO.
*	(16,18) Q	BROWN	28	26
CONTRACT NO. 72C24				
ILLINOIS FED. AID PROJECT				

**NOTES**

1. SEE SCHEDULES FOR PAVEMENT MARKING STATIONS.



- ① PROP. MODIFIED URETHANE PAVEMENT MARKING (WHITE) - LINE 5"
- ② PROP. MODIFIED URETHANE PAVEMENT MARKING (SKIP-DASH YELLOW) - LINE 5"
- ③ PROP. MODIFIED URETHANE PAVEMENT MARKING (DOTTED WHITE) - LINE 6" 2' DASH - 6' SKIP
- ④ PROP. MODIFIED URETHANE PAVEMENT MARKING (YELLOW) - LINE 5"
- ⑤ PROP. MODIFIED URETHANE PAVEMENT MARKING (DOUBLE YELLOW) - LINE 5"
- ⑥ PROP. MODIFIED URETHANE PAVEMENT MARKING (WHITE) - LINE 6"
- ⑦ PROP. MODIFIED URETHANE PAVEMENT MARKING (YELLOW) - LINE 12"
- ⑧ PROP. MODIFIED URETHANE PAVEMENT MARKING (WHITE) - LINE 24"
- ⑨ PROP. MODIFIED URETHANE PAVEMENT MARKING - LETTERS & SYMBOLS

MODEL: Default  
 FILE: Mainfile.pxd  
 SUBJECT: new\_beaufay.com:PIV\DOT\Documents\DOT Office\Dir\drf: E:\Project\0672C24\0672C24.dwg  
 5510\CAD\sheet\0672C24\sheet\plan71.dgn

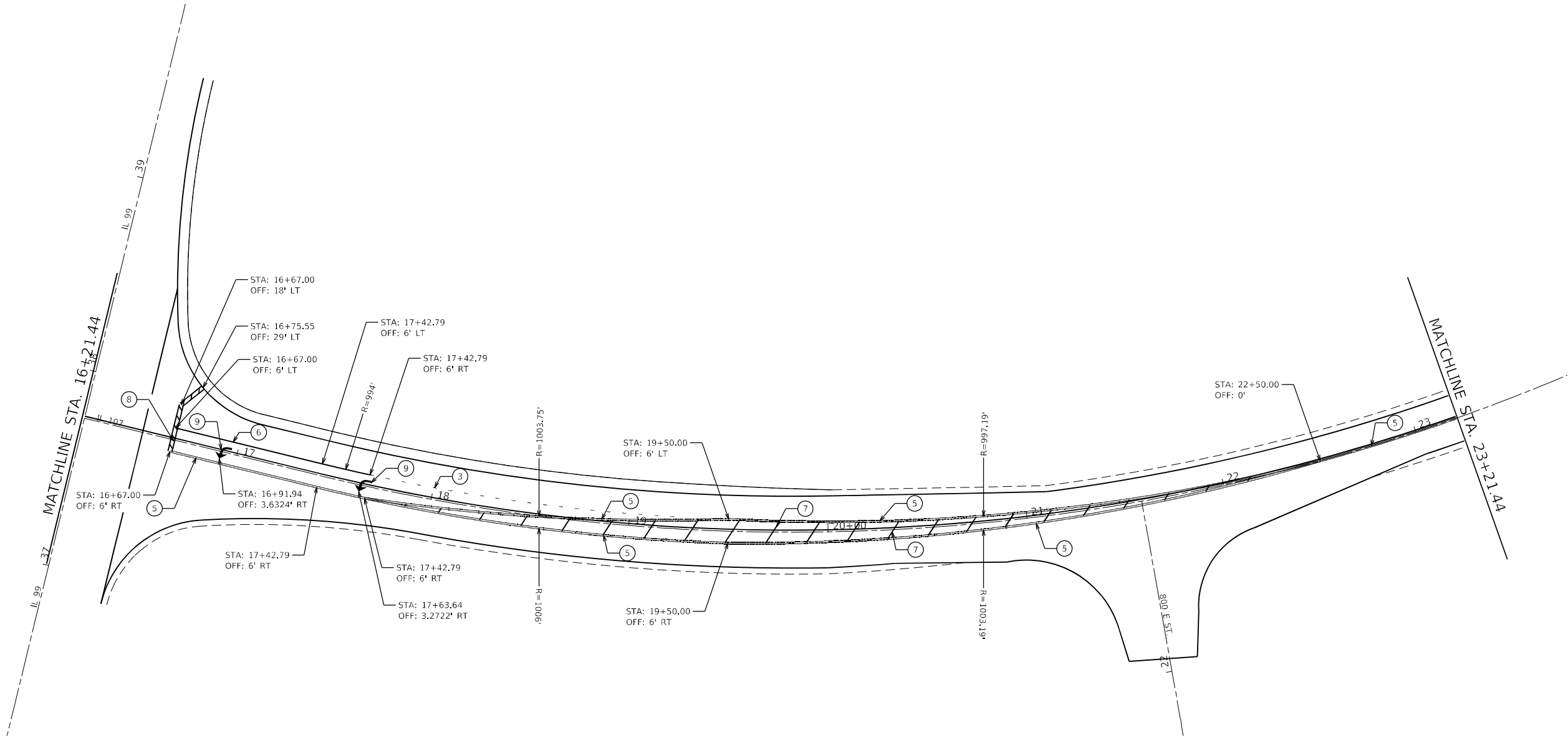
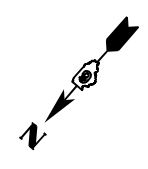
USER NAME = Cloyd,Jack	DESIGNED -	REVISED -
	DRAWN -	REVISED -
PLOT SCALE = 100,0000 ' / in.	CHECKED -	REVISED -
PLOT DATE = 8/23/2022	DATE -	REVISED -

**STATE OF ILLINOIS  
DEPARTMENT OF TRANSPORTATION**

**PLAN SHEETS**

SCALE: SHEET 18 OF 18 SHEETS STA. TO STA.

F.A.P. RTE.	SECTION	COUNTY	TOTAL SHEETS	SHEET NO.
*	(16,18) Q	BROWN	28	27
ILLINOIS FED. AID PROJECT			CONTRACT NO. 72C24	



- Ⓐ PROP. MODIFIED URETHANE PAVEMENT MARKING (WHITE) - LINE 5"
- Ⓑ PROP. MODIFIED URETHANE PAVEMENT MARKING (SKIP-DASH YELLOW) - LINE 5"
- Ⓒ PROP. MODIFIED URETHANE PAVEMENT MARKING (DOTTED WHITE) - LINE 6" 2' DASH - 6' SKIP
- Ⓓ PROP. MODIFIED URETHANE PAVEMENT MARKING (YELLOW) - LINE 5"
- Ⓔ PROP. MODIFIED URETHANE PAVEMENT MARKING (DOUBLE YELLOW) - LINE 5"
- Ⓜ PROP. MODIFIED URETHANE PAVEMENT MARKING (WHITE) - LINE 6"
- Ⓨ PROP. MODIFIED URETHANE PAVEMENT MARKING (YELLOW) - LINE 12"
- Ⓦ PROP. MODIFIED URETHANE PAVEMENT MARKING (WHITE) - LINE 24"
- Ⓩ PROP. MODIFIED URETHANE PAVEMENT MARKING - LETTERS & SYMBOLS

MODEL: Default  
 FILE: Mainfile\_pav\_marking.dwg  
 PROJECT: D:\Projects\DOT Documents\DOT Office\Drawings\1672C24\1672C24.dwg  
 PLOT DATE: 8/23/2022

USER NAME = Cloyd, Jack	DESIGNED -	REVISED -
	DRAWN -	REVISED -
PLOT SCALE = 60,0000 */ in.	CHECKED -	REVISED -
PLOT DATE = 8/23/2022	DATE -	REVISED -

**STATE OF ILLINOIS  
 DEPARTMENT OF TRANSPORTATION**

<b>PAVEMENT MARKING    DETAILS</b>			
SCALE:	SHEET 1	OF 1	SHEETS
STA.	TO STA.		

F.A.P. RTE.	SECTION	COUNTY	TOTAL SHEETS	SHEET NO.
*	(16,18) Q	BROWN	28	28
			CONTRACT NO. 72C24	
ILLINOIS FED. AID PROJECT				