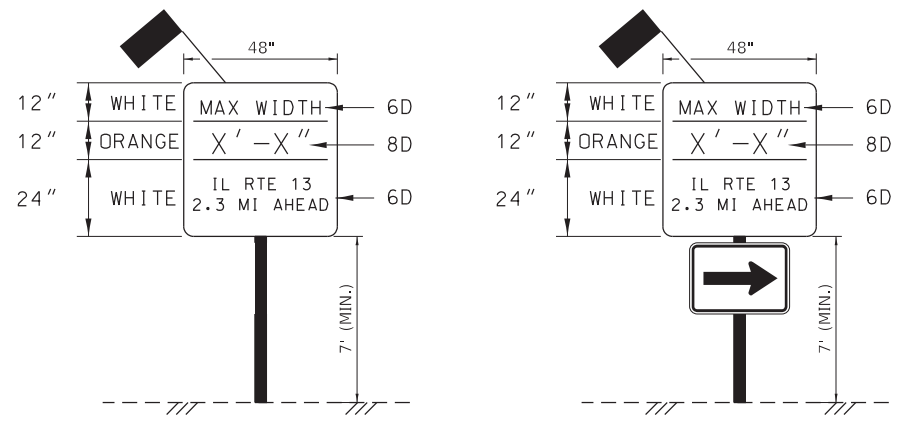
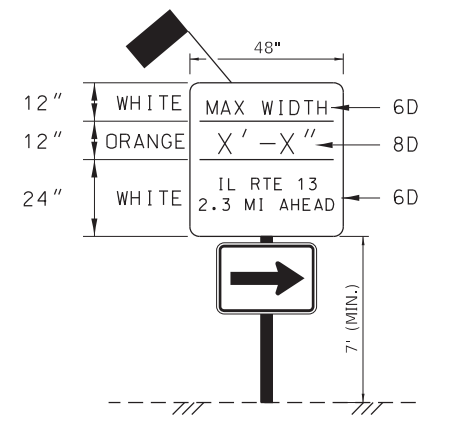


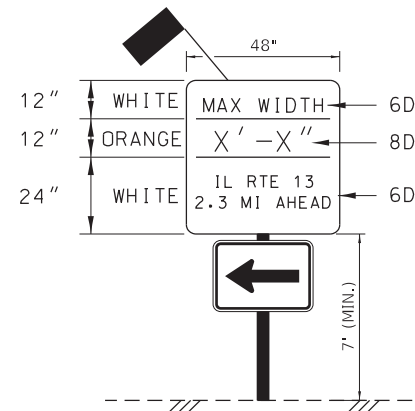
LOCATION MAP
NOT TO SCALE



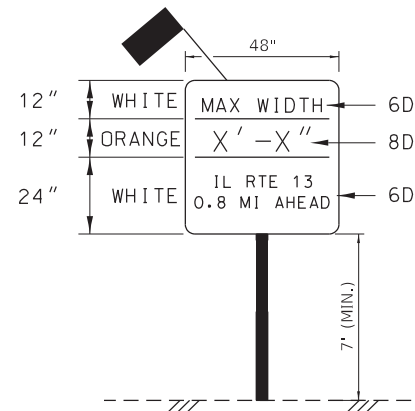
1



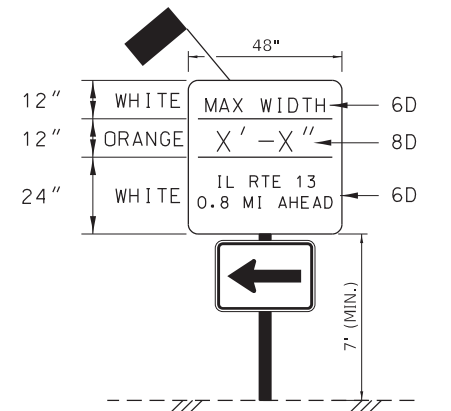
2



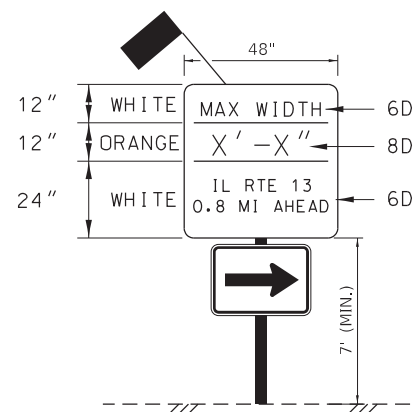
3



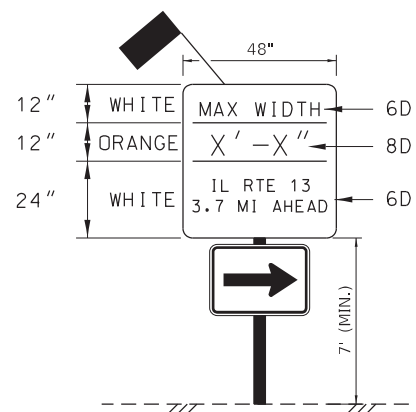
4



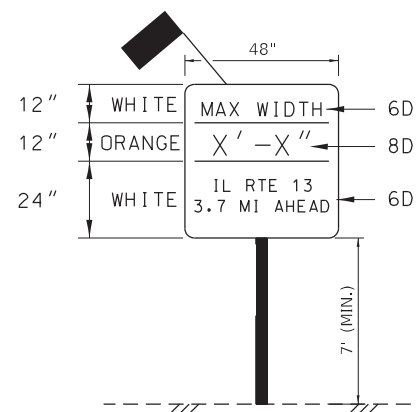
5



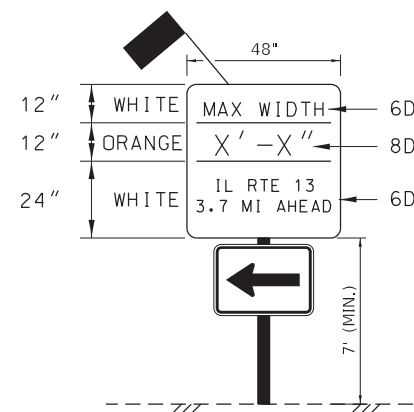
6



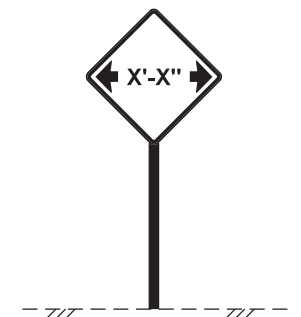
7



8



9



10

MAX WIDTH SIGN DETAIL

GENERAL NOTES

- ALL TRAFFIC CONTROL DEVICES SHALL BE FURNISHED, ERECTED AND MAINTAINED BY THE CONTRACTOR.
- THE LOCATION OF TRAFFIC CONTROL DEVICES MAY BE ADJUSTED BY THE ENGINEER.
- THE COST OF WIDTH RESTRICTION SIGNING AS SHOWN IN THE PLANS WILL NOT BE PAID FOR SEPARATELY BUT SHALL BE INCLUDED IN LUMP SUM PRICE FOR TRAFFIC CONTROL AND PROTECTION, STANDARD 701602, SPECIAL.
- THE WIDTH SHOWN ON THE SIGN SHALL BE 18" LESS THAN THE ACTUAL WIDTH SHOWN ON THE PLANS.

REVISD 11-9-2022

MODEL: Default
FILE NAME: P:\2021\12\105931B - IL 13 Pedestrian Crossing - Meridian CADD - DWG\4.7 Tran\CADD Sheets\0919197_sht-off_width-restriction.dgn



TWM, INC.
www.twm-inc.com
IL DESIGN FIRM
LICENSE NO:
184-001220

USER NAME = dlee	DESIGNED - JCL	REVISED - 2022/11/07
PLOT SCALE = 10.0000 ' / in.	DRAWN - JCL	REVISED -
PLOT DATE = 11/7/2022	CHECKED - TBP	REVISED -
	DATE -	REVISED -

**STATE OF ILLINOIS
DEPARTMENT OF TRANSPORTATION**

WIDTH RESTRICTION SIGNING

SCALE: NTS SHEET 1 OF 1 SHEETS STA. TO STA.

F.A.P. RTE.	SECTION	COUNTY	TOTAL SHEETS	SHEET NO.
331	6Z(SFY-1)	WILLIAMSON	26	20
CONTRACT NO. 78957				
ILLINOIS FED. AID PROJECT				