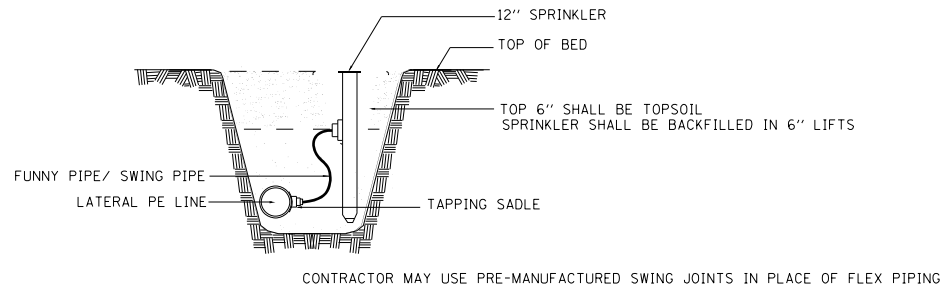
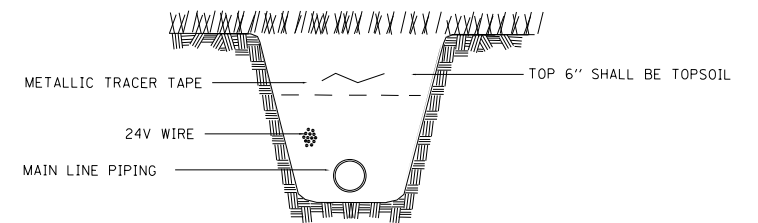


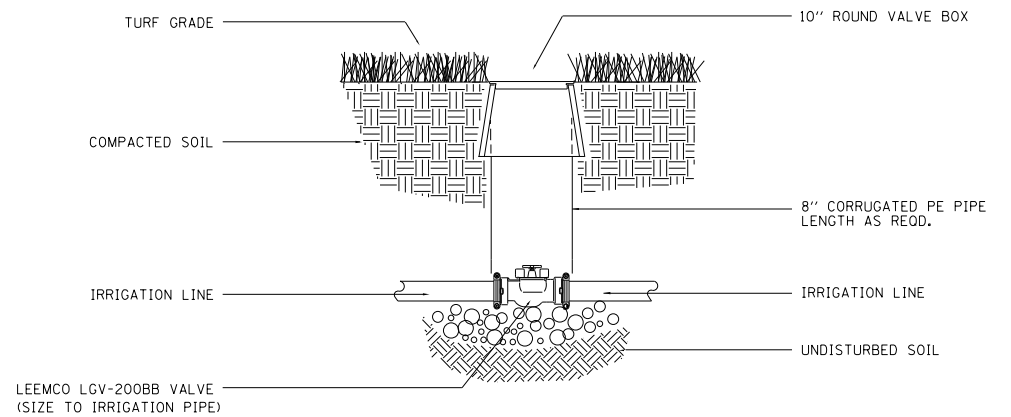
**1** 4" SPRAY HEAD- TURF NO SCALE



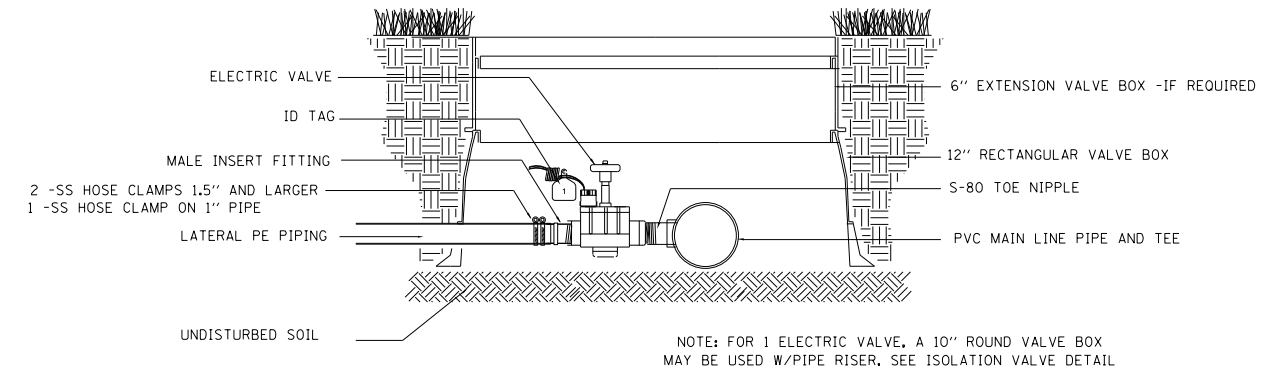
**2** 12" SPRAY HEAD- PLANTINGS NO SCALE



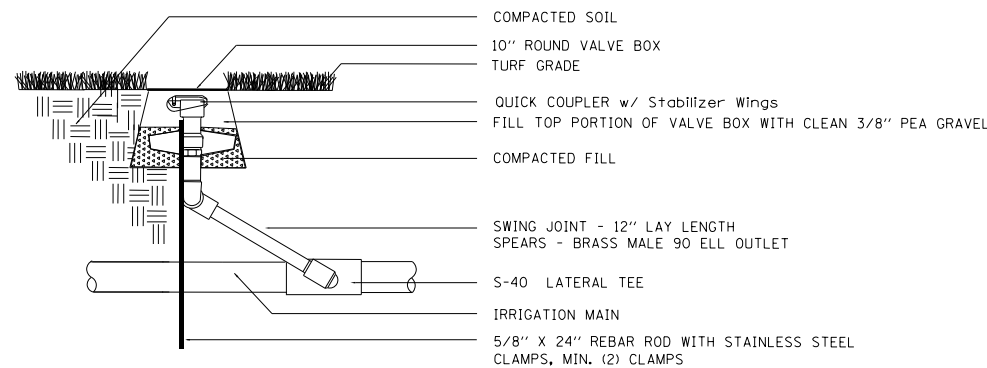
**3** WIRE TRENCH NO SCALE



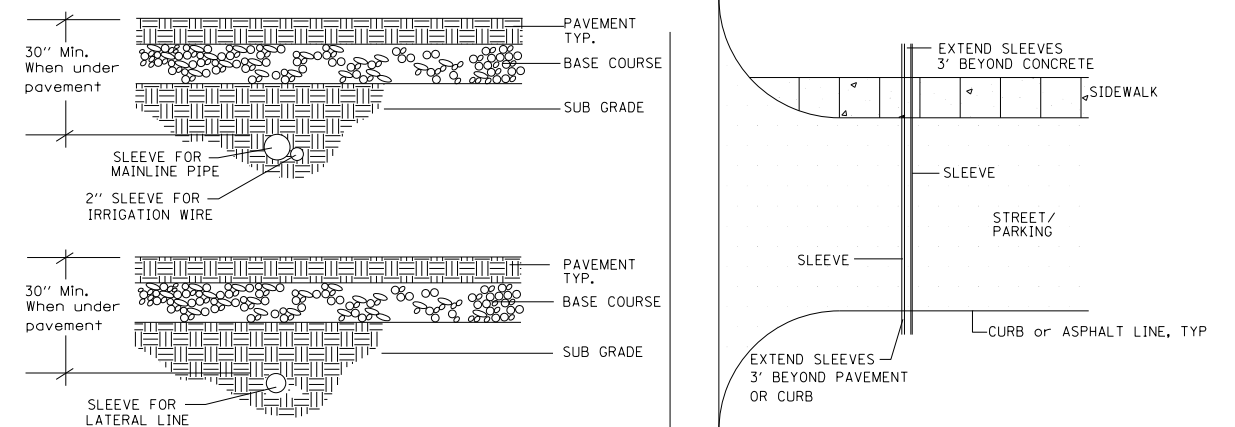
**4** ISOLATION VALVE 3" and SMALLER NO SCALE



**5** ELECTRIC VALVE - PE PIPE NO SCALE



**6** QUICK COUPLER VALVE NO SCALE



**7** SLEEVING NO SCALE

FILE PATH = p:\388035-p\m\l\escomon\me\local\p\w\ecm\00\Documents\01\_Americas\Transportation\60269938\_Circle\Phase\_1\1000\_CAD\006\_Roadway\_Sheets\60X62\_Contract\0160X62-Sht-IRRIGATION-DET-02.dgn



D160X62-Sht-IRRIGATION-DET-02.dgn  
 USER NAME = BAW1tor t  
 PLOT SCALE = 40.0000 ' / in.  
 PLOT DATE = 8/19/2014

DESIGNED - JLV  
 DRAWN - BAW  
 CHECKED - JMG  
 DATE - 8/20/2014

REVISED -  
 REVISED -  
 REVISED -  
 REVISED -

**STATE OF ILLINOIS  
 DEPARTMENT OF TRANSPORTATION**

**IRRIGATION DETAILS**

SCALE: NONE SHEET 1 OF 1 SHEETS STA. TO STA.

F.A.I RTE.	SECTION	COUNTY	TOTAL SHEETS	SHEET NO.
90/94/290	2013-074I	COOK	58	38
CONTRACT NO. 60X62			ILLINOIS FED. AID PROJECT	