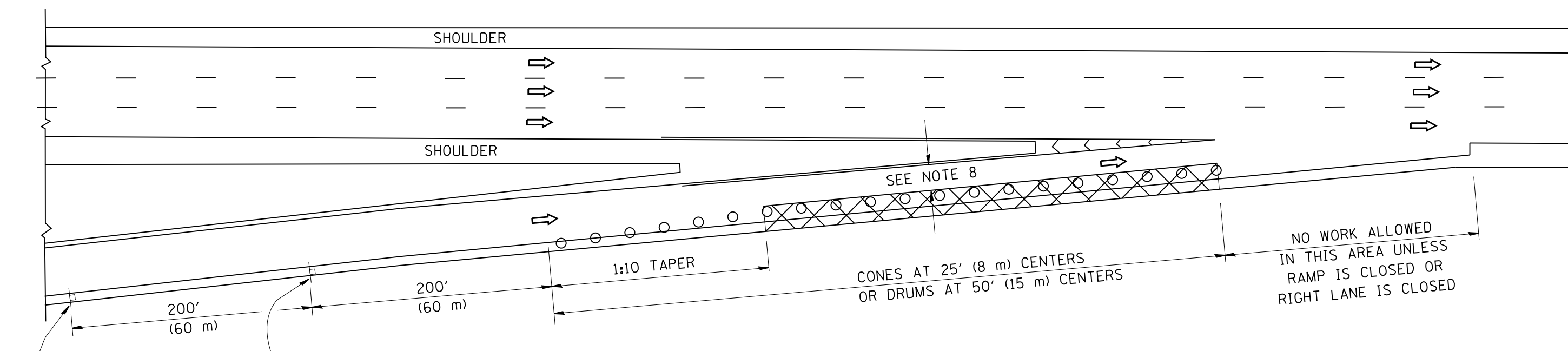
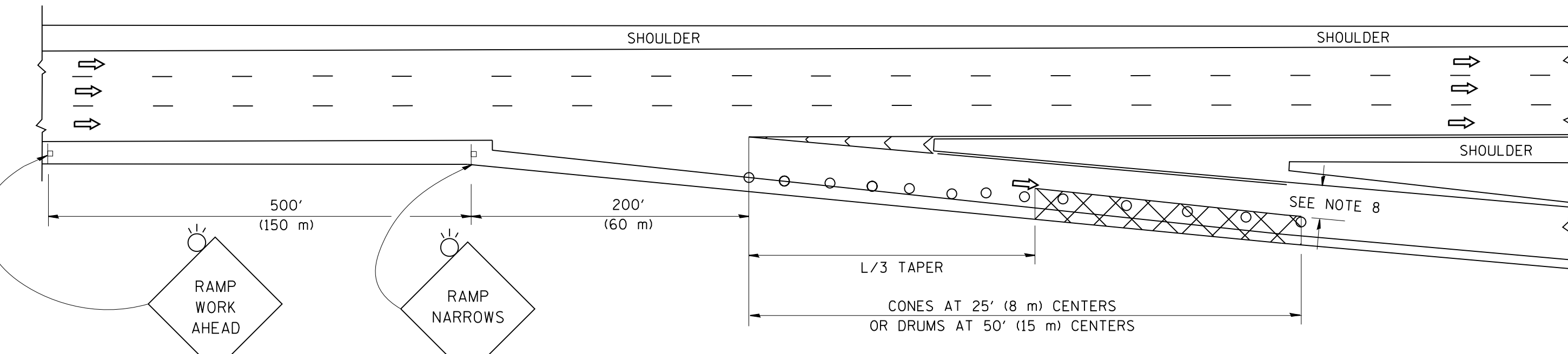


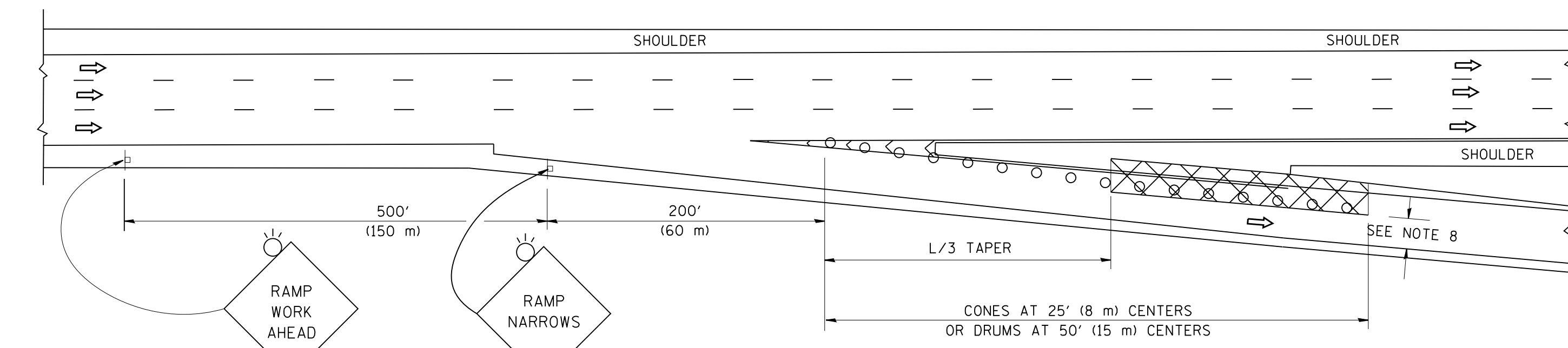
PARTIAL RAMP CLOSURE DETAILS



TYPICAL ENTRANCE RAMP



TYPICAL EXIT RAMP



TYPICAL EXIT RAMP

SYMBOLS

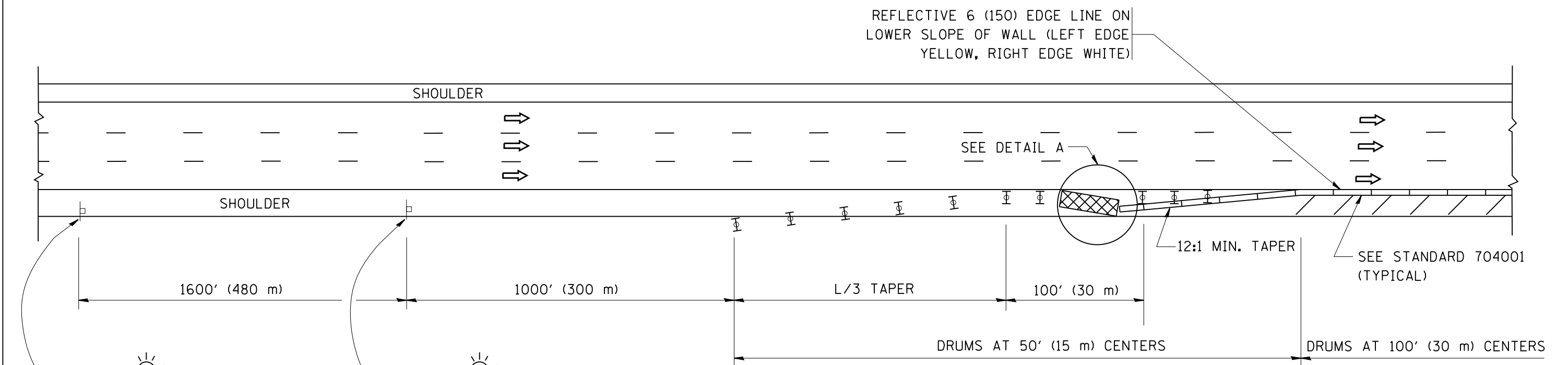
- ACTIVE WORK AREA
- SIGN ON PORTABLE OR PERMANENT SUPPORT
- FLAGGER WITH CONTROL SIGN
- TYPE II BARRICADE OR DRUM WITH STEADY BURN MONO-DIRECTIONAL LIGHT
- CONE, DRUM OR BARRICADE
- IMPACT ATTENUATOR OF TYPE AND TEST LEVEL SPECIFIED

GENERAL NOTES

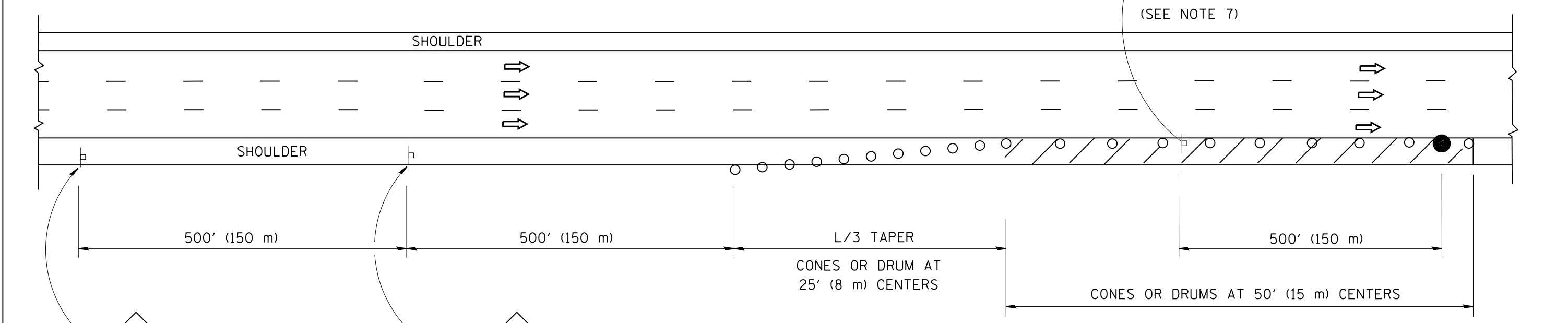
1. THE "L" DISTANCE EQUALS:

SPEED LIMIT	FORMULAS
45 mph (80 km/h) OR GREATER:	METRIC ENGLISH L=0.65(W)(S) L=(W)(S)
W = WIDTH OF OFFSET IN FEET (METERS) S = NORMAL POSTED SPEED MPH (KM/H)	
2. PLASTIC DRUMS WITH HIGH PERFORMANCE REFLECTIVE SHEETING AND STEADY BURNING LIGHTS ARE REQUIRED FOR ALL NIGHTTIME CLOSURES.
3. ALL SIGNS SHALL BE POST MOUNTED IF THE CLOSURE TIME EXCEEDS FOUR DAYS.
4. FLASHING LIGHTS SHALL BE USED DURING THE HOURS OF DARKNESS AND SHALL BE INSTALLED ABOVE THE FIRST TWO SETS OF SIGNS.
5. THE IMPACT ATTENUATOR, TEMPORARY IS NOT REQUIRED WHEN THE TEMPORARY CONCRETE BARRIER WALL IS PROTECTED BY OR IS TIED INTO THE EXISTING GUARDRAIL. IF OFFSET IS LESS THAN 5 FEET USE NARROW USE TYPE DEVICE TO MEET NCHRP350/MASH.
6. AUTHORIZATION FROM THE DISTRICT'S BUREAU OF TRAFFIC IS REQUIRED FOR ALL FREEWAY CLOSURES.
7. THE FLAGGER AND FLAGGER SIGN ARE REQUIRED AT THE ABOVE WORK SITES WHEN:
 - a. FOUR OR MORE WORK VEHICLES ENTER THE TRAFFIC LANES IN A ONE HOUR PERIOD.
 - b. THE WORK ACTIVITY REQUIRES FREQUENT ENCROACHMENT INTO THE LANE OPEN TO TRAFFIC.
 THE FLAGGER SHALL BE STATIONED APPROXIMATELY 100' (30 m) TO 200' (60 m) IN ADVANCE OF THE WORKERS.
8. 12' MIN. WIDTH TANGENT SECTION
16' MIN. WIDTH CURVE SECTION.

SHOULDER CLOSURE DETAILS

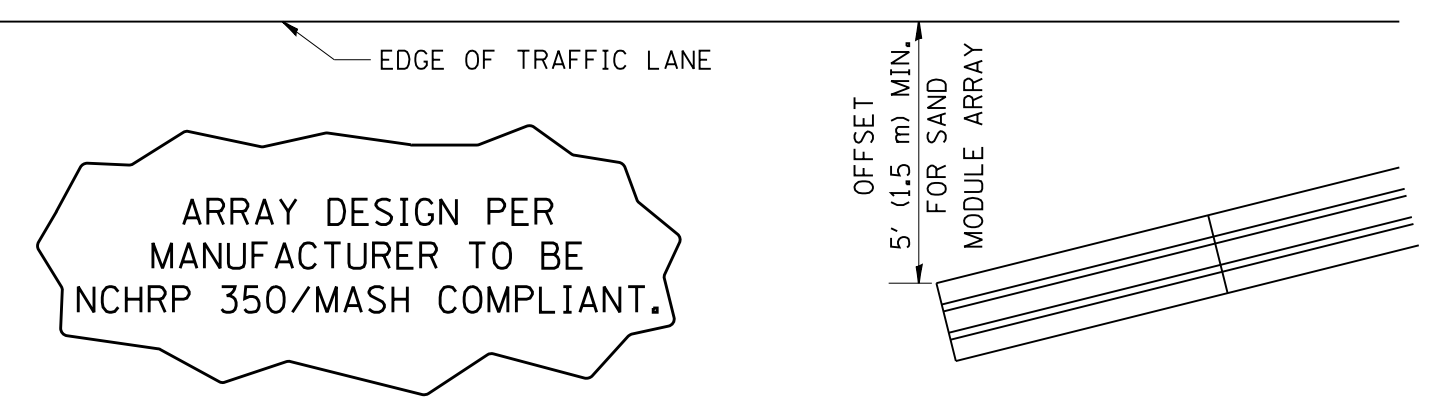


PERMANENT SHOULDER CLOSURE



DAYTIME SHOULDER CLOSURE

- THIS DETAIL IS USED WHERE:
1. VEHICLES, EQUIPMENT, WORKERS OR THEIR ACTIVITIES ENCROACH IN AN AREA CLOSER THAN 15' (4.5 m) TO THE EDGE OF PAVEMENT FOR A PERIOD IN EXCESS OF 15 MINUTES.



DETAIL "A"
IMPACT ATTENUATOR, TEMPORARY
(SEE NOTE 5)

ALL DIMENSIONS ARE IN INCHES (MILLIMETERS) UNLESS OTHERWISE SHOWN.

FILE NAME =	USER NAME = pyrzanowski	DESIGNED -	REVISED - J.A.F. 12-06	STATE OF ILLINOIS DEPARTMENT OF TRANSPORTATION	TRAFFIC CONTROL DETAILS FOR FREEWAY SHOULDER CLOSURES AND PARTIAL RAMP CLOSURES	F.A. RTE.	SECTION	COUNTY	TOTAL SHEETS	SHEET NO.	
et:\pw_work\pwork\pyrzanowski\038839	ND134714-sht-plan.dgn	DRAWN - D.W.S.	REVISED - S.P.B. 01-07			VAR.	2014-0361	WILL	34	33	
	PLOT SCALE = 50.0000' / 1"	CHECKED -	REVISED - S.P.B. 12-09			TC-17		CONTRACT NO. 60Y30			
	PLOT DATE = 8/20/2014	DATE - 11-96	REVISED - M.D. 06-13			FED. ROAD DIST. NO. 1 ILLINOIS FED. AID PROJECT					