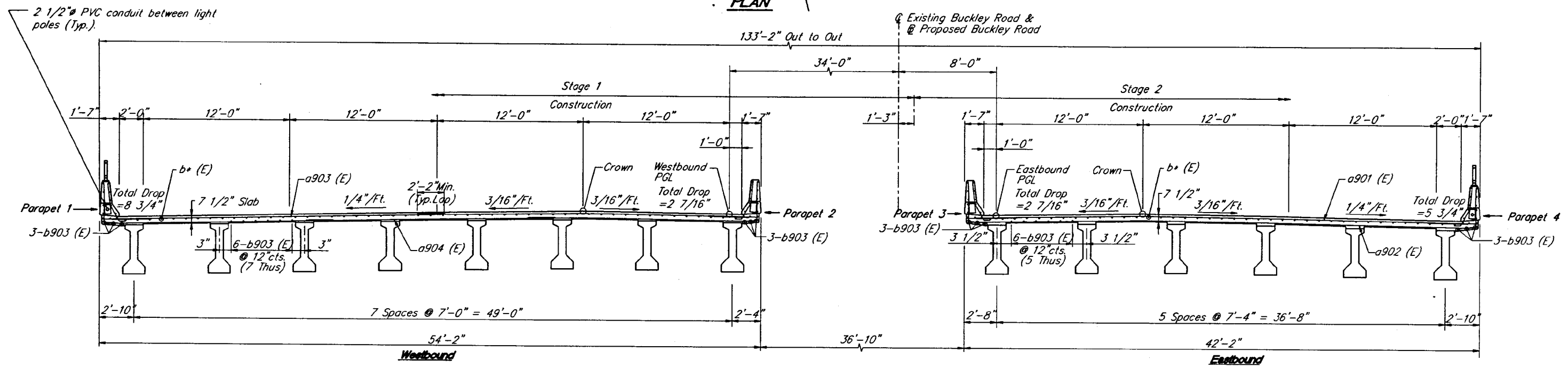


FOR INFORMATION ONLY



DECK CROSS SECTION

FILE NAME =	USER NAME = hardnettr	DESIGNED -	REVISED -	STATE OF ILLINOIS DEPARTMENT OF TRANSPORTATION	EXISTING PLANS LOCATION 9 (SN 049-0065)			F.A.P. RT.	SECTION	COUNTY	TOTAL SHEETS	SHEET NO.				
Default	Plot Scale = 100.0000' / in.	DRAWN -	REVISED -		SCALE:	SHEET	OF	SHEETS	STA.	TO	STA.	VAR.	2014-039I	LAKE	49	20
	PLOT DATE = 8/11/2014	CHECKED -	REVISED -										CONTRACT NO. 60Y33			
		DATE -	REVISED -										ILLINOIS FED. AID PROJECT			