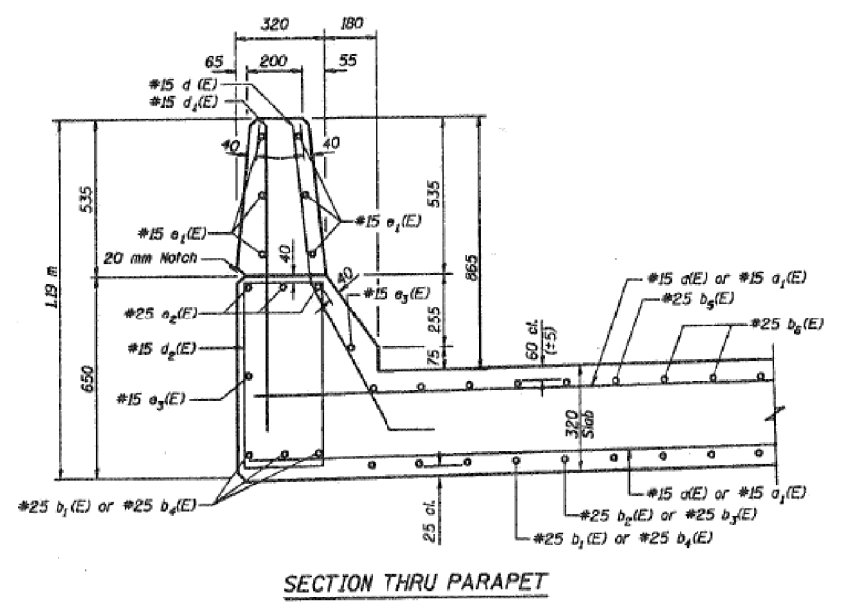
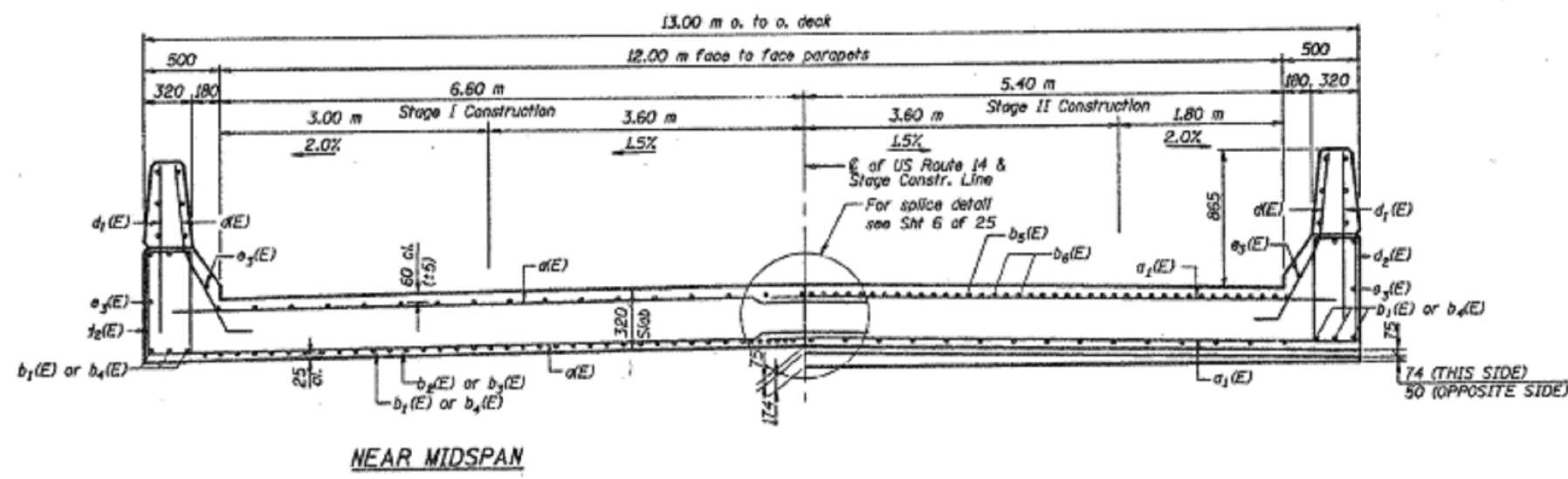


FOR INFORMATION ONLY



FILE NAME =	USER NAME = abebawa	DESIGNED -	REVISED -	STATE OF ILLINOIS DEPARTMENT OF TRANSPORTATION	LOCATION #2 :SN 049-0002 US 14 WB OVER FLINT CREEK	SECTION	COUNTY	TOTAL SHEETS	SHEET NO.
Default	Plot Scale = 100.0000' / in.	DRAWN -	REVISED -			2014-0401	LAKE	42	13
	PLOT DATE = 8/18/2014	CHECKED -	REVISED -			CONTRACT NO. 60Y34			
		DATE -	REVISED -			ILLINOIS FED. AID PROJECT			
SCALE:					SHEET OF SHEETS STA. TO STA.				