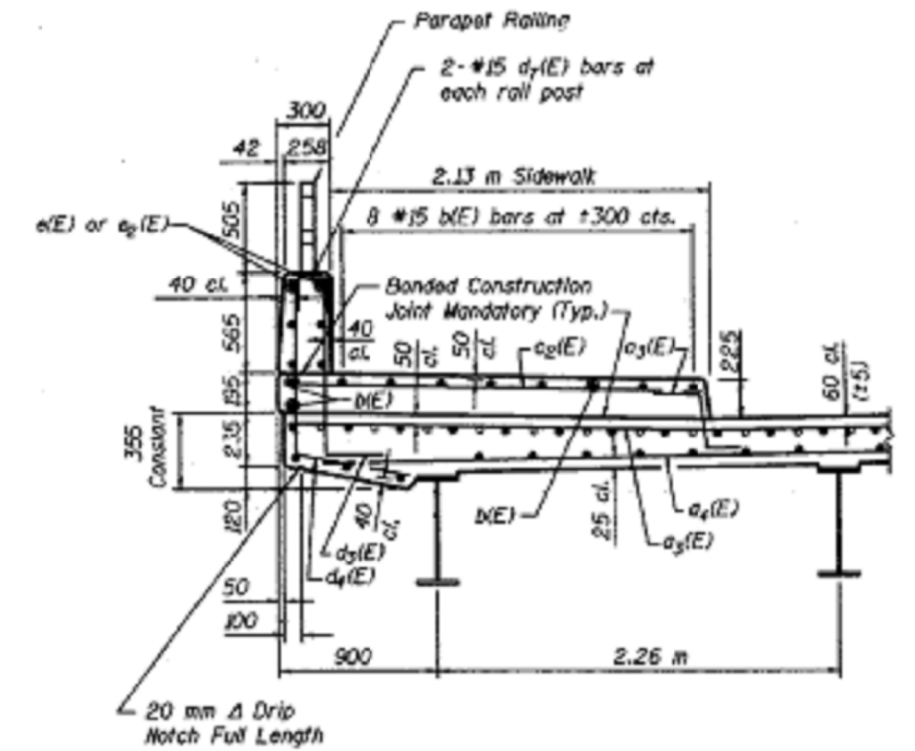
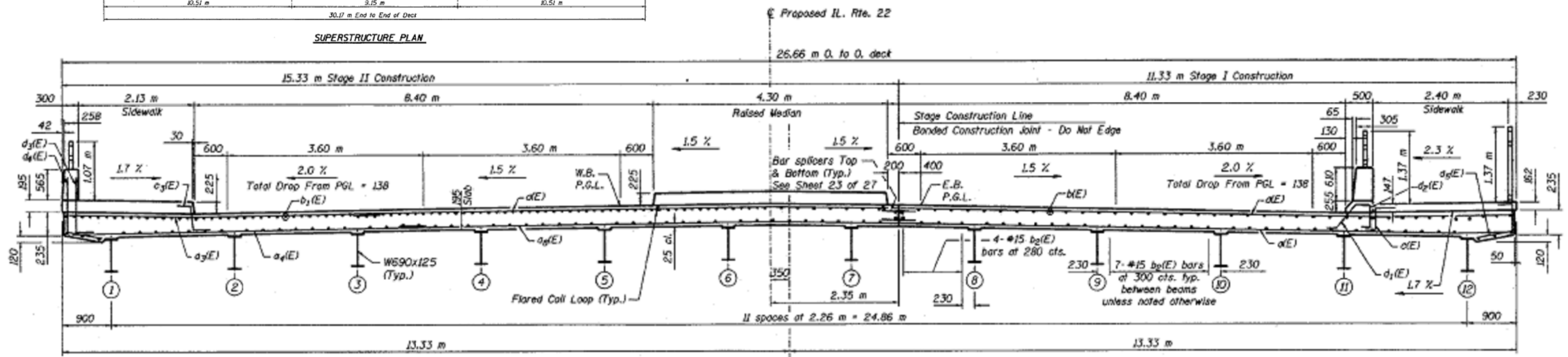


**SUPERSTRUCTURE PLAN**



**NORTH SIDEWALK AND PARAPET**  
(Looking East)

**FOR INFORMATION ONLY**



**CROSS SECTION**  
(Looking East)

FILE NAME =	USER NAME = abebawa	DESIGNED -	REVISED -
Default	Default	DRAWN -	REVISED -
	PLOT SCALE = 100.0000' / in.	CHECKED -	REVISED -
	PLOT DATE = 8/18/2014	DATE -	REVISED -

**STATE OF ILLINOIS**  
**DEPARTMENT OF TRANSPORTATION**

**LOCATION #22 :SN 049-0187**  
**IL 22 OVER MIDDLE FORK NORTH BRANCH CHICAGO RIVER**

SECTION	COUNTY	TOTAL SHEETS	SHEET NO.
2014-0401	LAKE	42	33
CONTRACT NO. 60Y34			

SCALE: SHEET OF SHEETS STA. TO STA.

ILLINOIS FED. AID PROJECT